

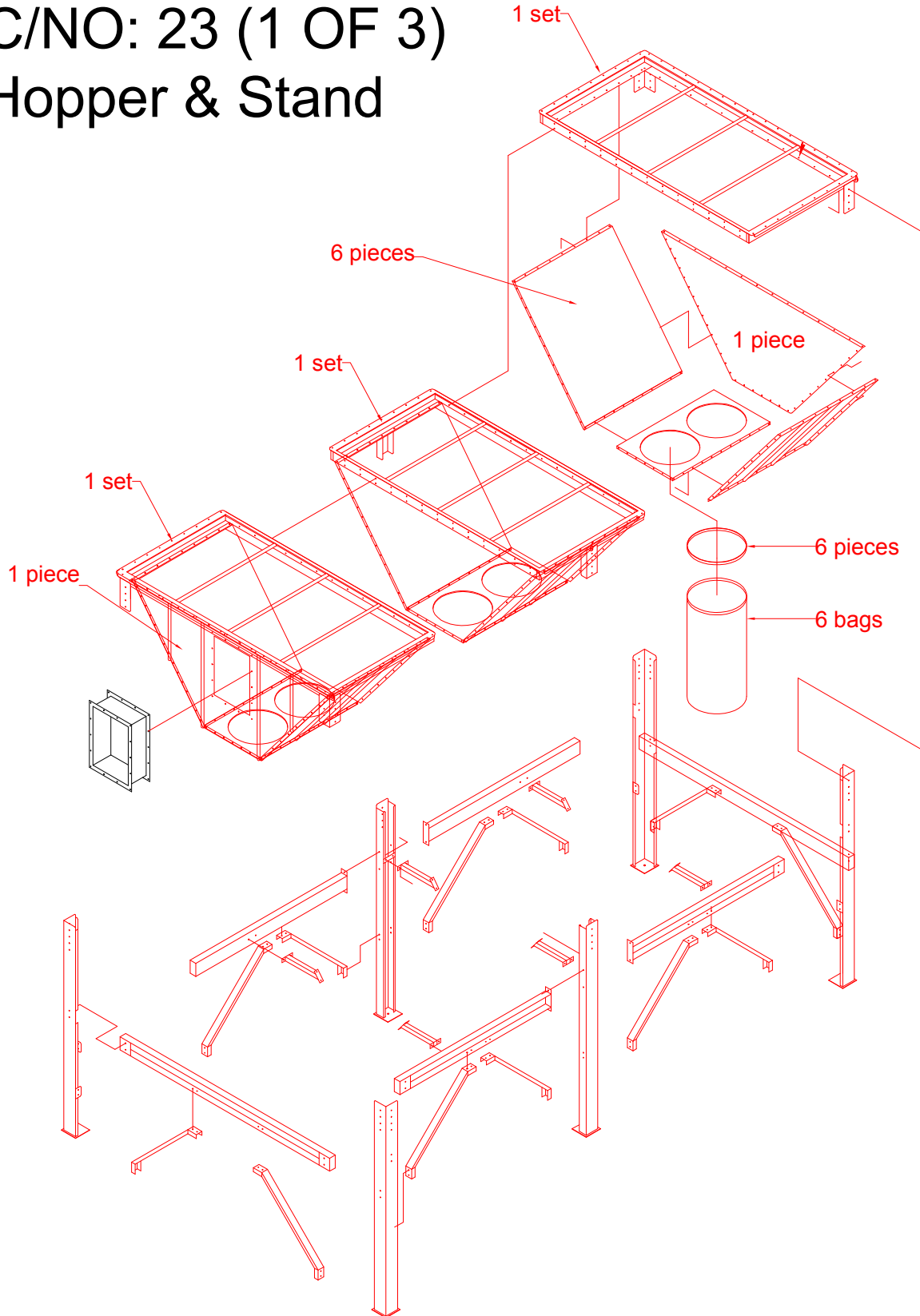
RC-05 Packing

Container No: EMCU 1268063

Seal No: BXH 8637

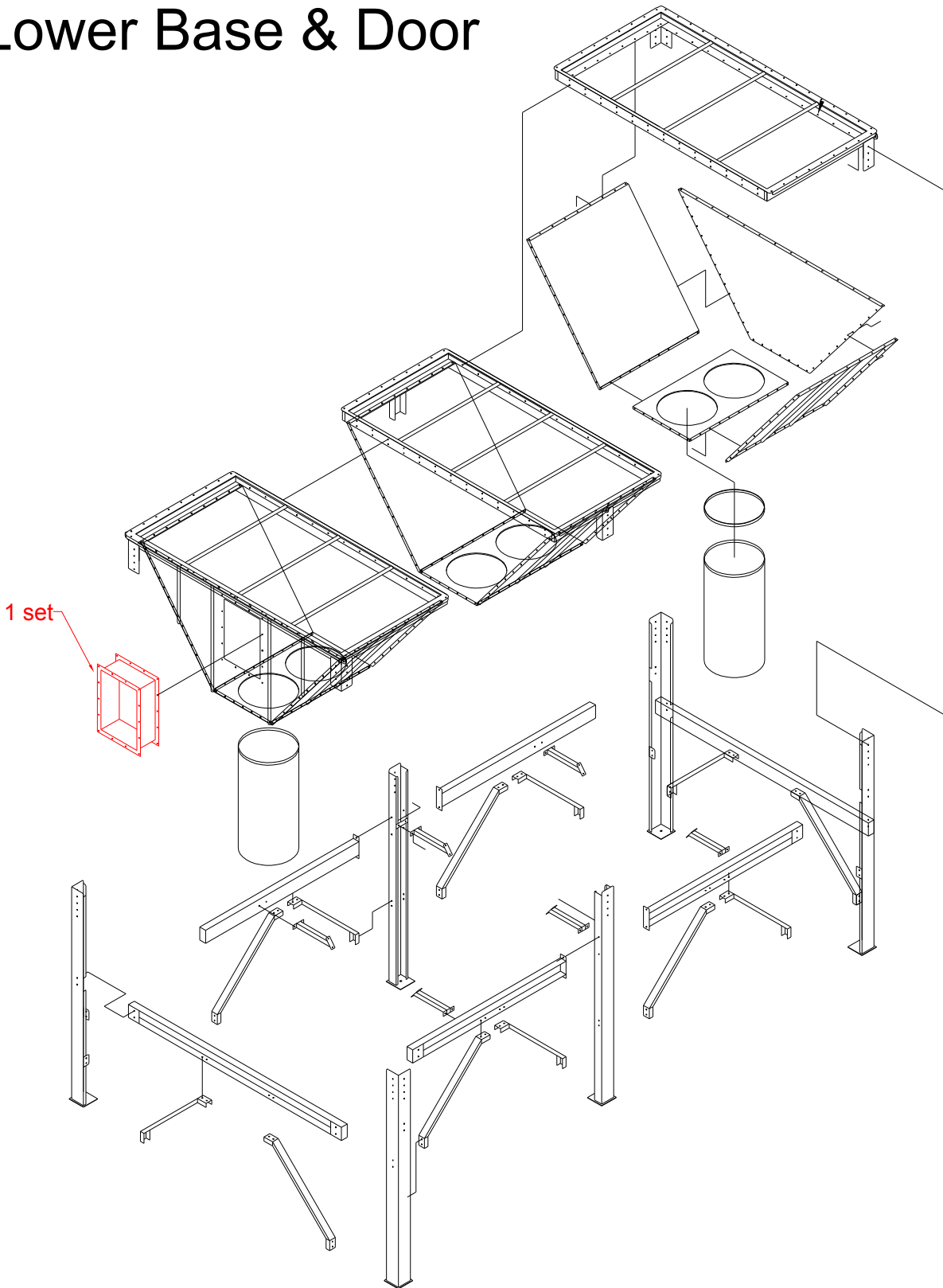
October 17, 2008

C/NO: 23 (1 OF 3)
Hopper & Stand

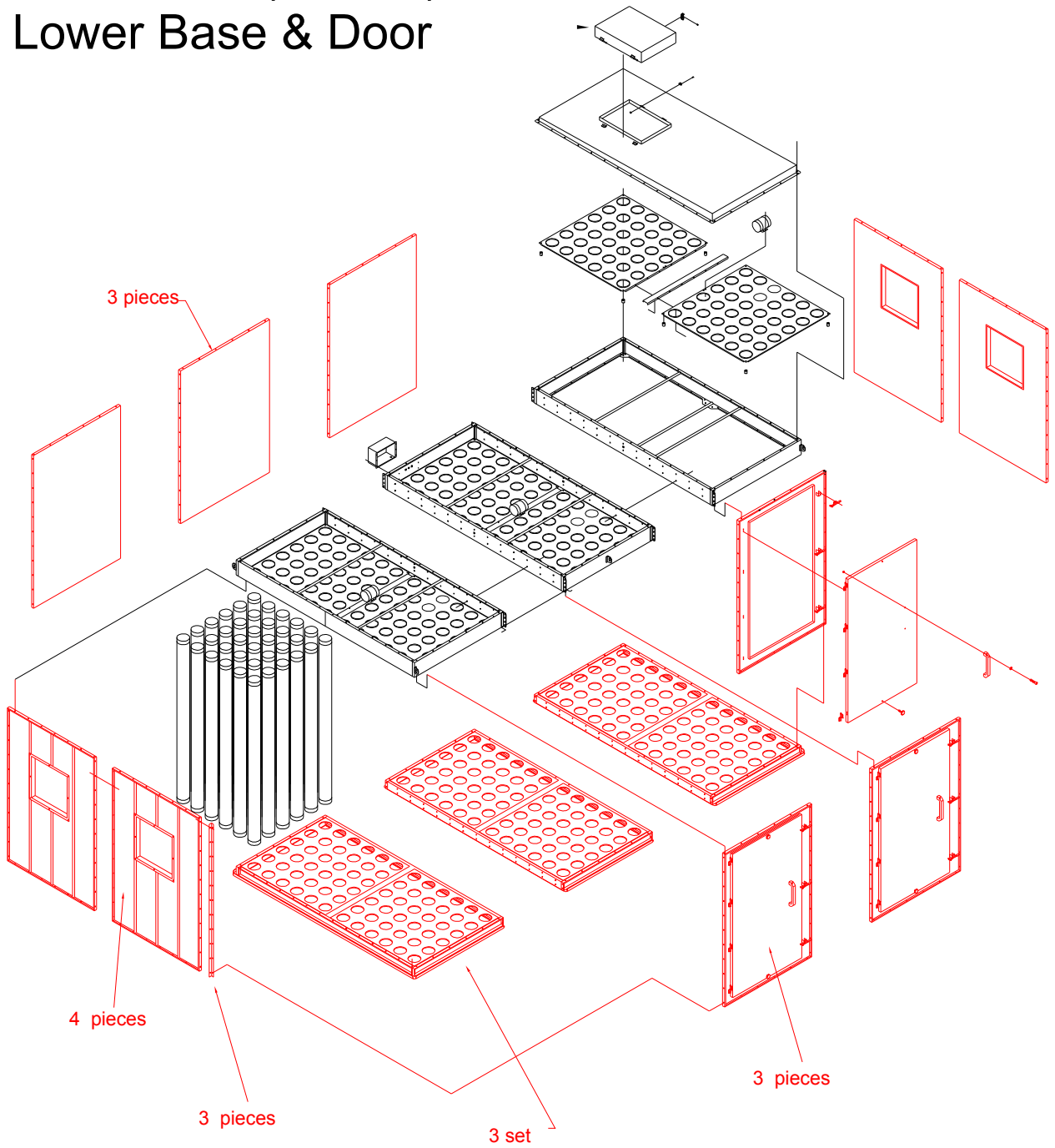


C/NO: 23A (2 OF 3)

Lower Base & Door



C/NO: 23A (2 OF 3) Lower Base & Door



C/NO: 23B (3 OF 3) Upper Base & Upper Cover

