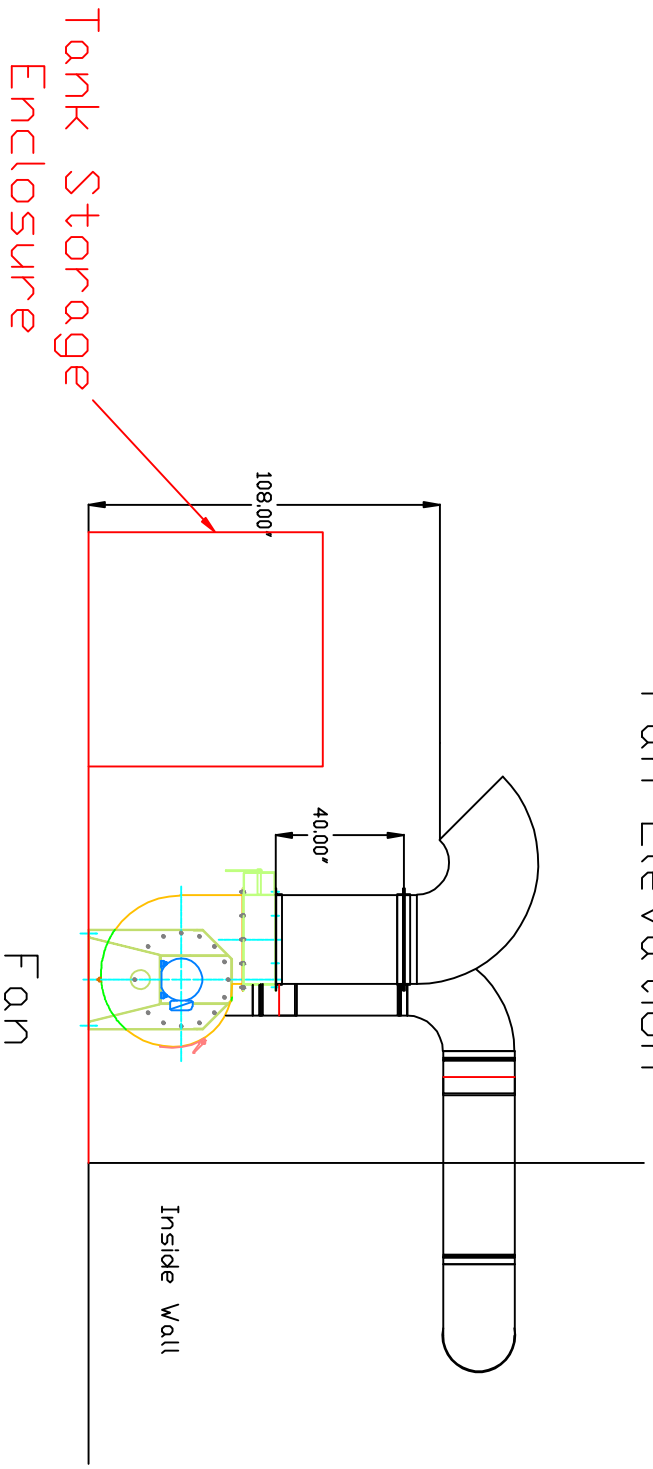


Carteret Community College Welding Shop Duct Layout

Fan Elevation



TCBI-20HP 1750RPM
3PH/60HZ/208 Volts
8000 CFM @ 8"SP

SD# 19678

Avani Environmental Intl.	
95 Cypress Drive 27596	
Youngsville, NC	
P# 919-570-2862 F# 919-570-2863	
Avani	
Project: Carteret Comm. College	
Drawing: Fan Elevation	
Date: 4/4/13	Drawn by: WWB
Sheet No: 1	Rev.: 0