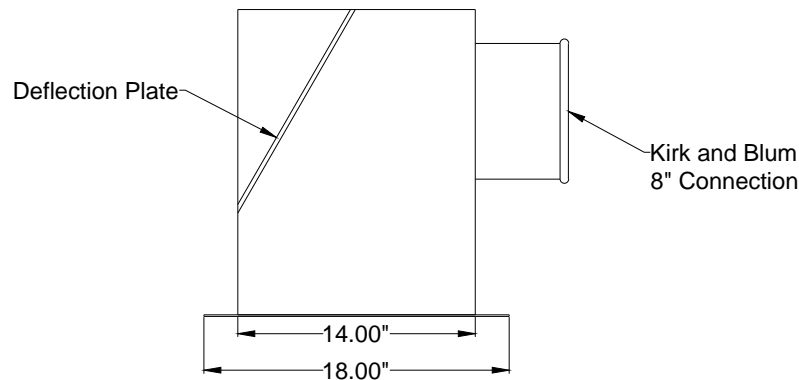
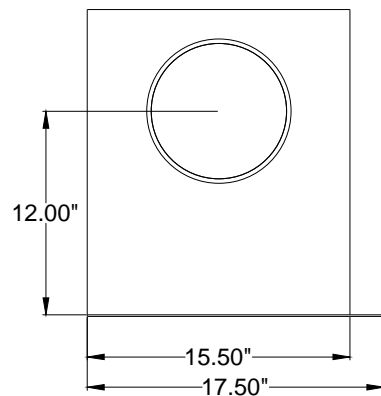
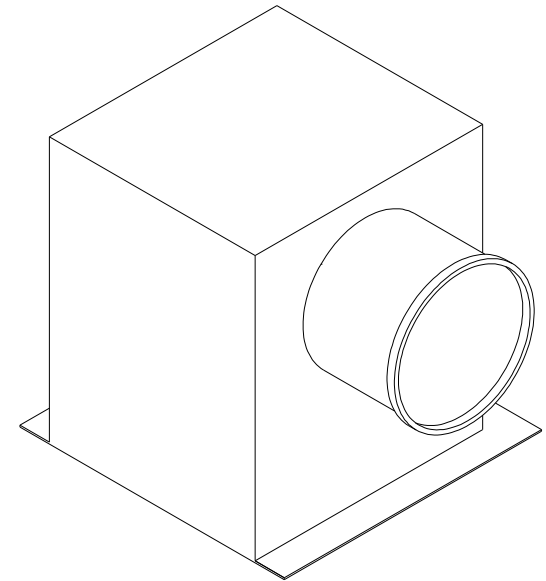
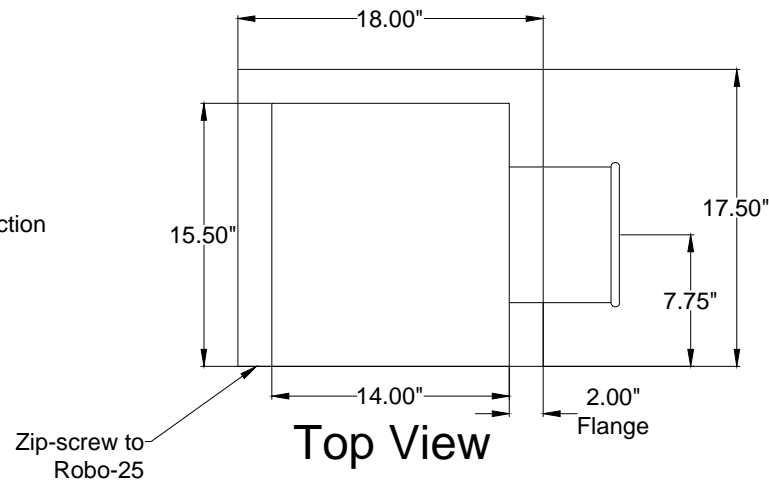



# Robo-25 Plenum Box

**Notes:**

1. Fabricated with 8" K&B connection
2. Flange 3 sides of plenum box
3. Zipscrew to Robo-25



Avani Environmental Intl. 95 Cypress Drive Youngsville, NC 27596 P# 919-570-2862 F# 919-570-2863		
Project: Robo-25 Plenum Box		
Drawing: Plenum Box		
Date: 4/15/13	Drawn by:MDT	
Sheet No: 1 of 1	Rev.: 0	