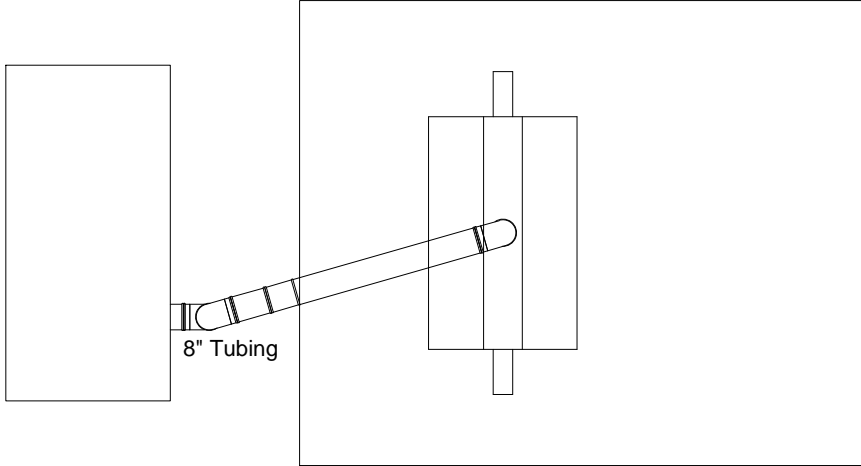
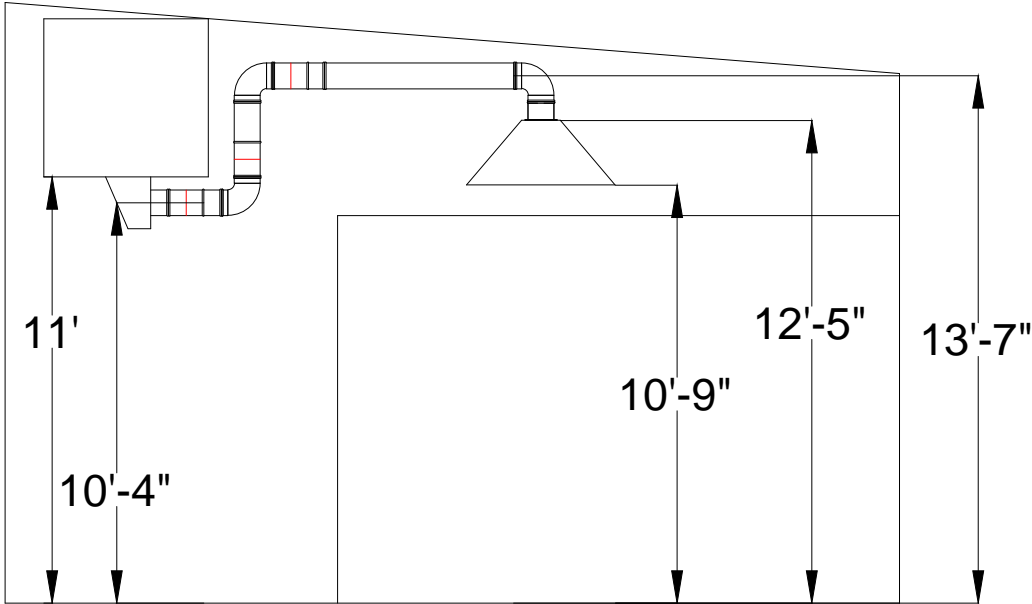


Carolina Fabrication Duct Layout



Plan View



Elevation View

Notes:

- 1. All tubing 8" K&B
- 2. May be able to use 90 radius already installed on hood
- 3. Plenum radius to be fabricated by triangle metalworks

Avani Environmental Intl. 95 Cypress Drive Youngsville, NC 27596 P# 919-570-2862 F# 919-570-2863		
Project: Carolina Fab and Welding		
Drawing: Duct Layout		
Date: 4/3/13	Drawn by: MDT	
Sheet No: 1 of 1	Rev.: 0	