

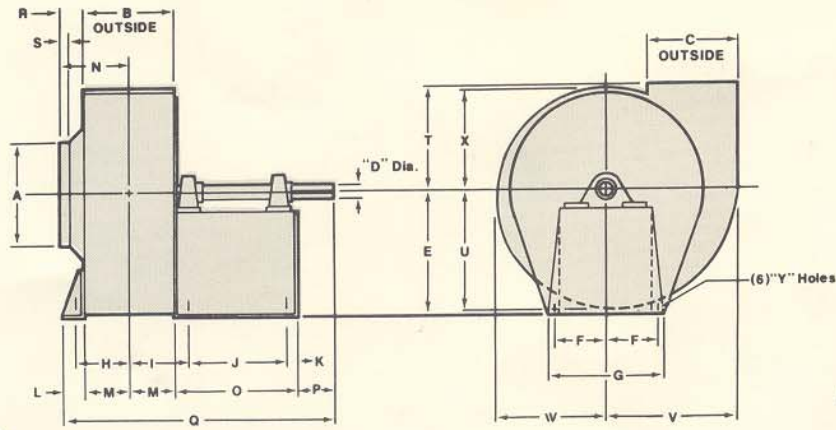
AIR CONVEYING CORPORATION

2196 E. PERSON AVE.
MEMPHIS, TN 38114
901-454-5016

Trim Handling Systems. . .
We are **imagineering**
the future, Today.



THE ACC HEAVY DUTY FAN



ARRANGEMENT #1
AS SHOWN

Available in 16 outlet
discharge and rotations
including Arrangement #9

2 3/16

FAN SIZE	Whl. Dia.	A ID	A OD	B	C	D	E	F	G	H	I	J	K	L	M	N	O	P	Q	R	S	T	U	V	W	X	Y	WGT.
M-12	20	11 3/8	12	10 1/2	12	1 1/16	14	6 1/2	15	6 3/8	7 1/8	10	2	2	5 1/4	7 3/4	14 1/8	4	30 1 3/16	2 1/2	1 1/2	13 3/8	13 3/8	14 1/4	12 1/2	11 3/8	5/8	375
M-14	23 1/2	13 3/8	14	12	14	1 1/16	16 1/2	7	16	7 3/8	8 1/8	11	2	2 1/2	6	8 1/2	15 1/8	5	34 1/16	2 1/2	1 1/2	15 1/2	15 3/4	16 3/4	14 3/4	13 3/4	3/4	475
M-15	25	14 1/2	15	14	14	1 1/8	18 1/2	7 1/2	17	8 3/8	9 1/8	12	2	2 1/2	7	10	16 1/8	5	37 1/16	3	1 1/2	16 3/8	18 1/8	19 1/2	16 3/4	15 3/8	3/4	600
M-17	28 1/2	16 1/2	17	15	15	2 3/16	20	8 1/2	19	8 3/8	9 3/8	16	2	2 1/2	7 1/2	11 1/2	20 3/8	6	43 3/8	4	1 3/4	17	19 3/8	21 1/2	18	16 1/4	3/4	840
M-19	32	17 1/2	18	16	18	2 1/16	23	9	20	9 3/8	10 3/4	17	2	2 1/2	8	12	21 3/8	6	45 3/8	4	2	19 1/2	22	24	20	18	3/4	975
M-21	35 1/2	20 1/2	21	18	20	2 1/16	26	10 1/2	24	10 3/8	12 3/8	20	3	3	9	13	26 3/8	7	54 3/8	4	2	21 1/2	25 1/4	27 1/2	23	20 3/4	3/4	1325
M-24	40	23 1/2	24	19	24	2 1/16	28	10 1/2	24	11 1/8	12 3/4	20	3	3	9 1/2	13 1/2	26 3/8	7	55 3/8	4	2	24 3/8	27 1/2	29 3/4	25 1/2	23	3/4	1590

Dimensions are subject to change without notice

BASED ON DRY AIR
AT 70°F. AT 29.92 H.G.,
AT .075 LBS./FT³

M SERIES MATERIAL HANDLING FANS CAPACITY GUIDE TABLE

FAN SIZE	STATIC PRESSURE																										
	CFM BHP RPM		CFM BHP RPM		CFM BHP RPM		CFM BHP RPM		CFM BHP RPM																		
	6"		7"		8"		9"		10"																		
M-12	2500	4.3	1780	2200	4.0	1820	2200	4.8	1950	2100	4.9	2040	2300	6.2	2175	2600	8.0	2300	2600	9.0	2425	2600	10.0	2650			
	2875	5.2	1840	2500	4.6	1865	2600	5.9	2015	2800	7.0	2130	2800	7.7	2265	3300	11.6	2475	2800	10.6	2560	2800	12.9	2775			
	3275	6.2	1920	3000	5.8	1960	3250	8.0	2120	3300	8.5	2210	3200	9.7	2310	3600	13.0	2540	3200	13.5	2650	3200	16.5	2875			
	3800	7.8	1990	3800	9.0	2100	3700	9.5	2200	3600	10.3	2290	3600	11.0	2400	4000	15.0	2600	3600	16.0	2700						
	4200	9.0	2090	4000	10.0	2150	4000	10.4	2250	4000	12.1	2375	4000	12.9	2450												
M-14	2800	4.7	1475	2800	5.0	1520	3250	7.1	1685	3400	8.0	1790	3300	8.8	1925	3600	11.7	2075	3700	14.1	2180	4350	22.5	2440			
	3400	5.8	1550	3400	6.5	1610	3750	8.7	1740	4000	9.4	1825	3800	11.1	1980	4400	15.4	2200	4400	18.1	2300	4900	25.0	2520			
	3800	6.6	1570	4000	7.8	1665	4400	10.8	1820	4600	12.0	1900	4400	13.2	2025	5000	18.6	2230	5000	21.6	2385	5400	29.9	2600			
	4400	8.4	1640	4400	9.5	1730	4800	12.9	1860	4850	14.2	1940	5000	15.0	2050	5400	20.8	2385	5400	25.0	2450						
	5000	10.2	1700	5000	11.6	1800	5300	14.5	1900	5400	16.8	2000	5400	17.9	2095												
M-15	3400	5.9	1460	3300	5.7	1440	3600	7.8	1550	3900	9.2	1650	4000	10.7	1800	4400	15.0	1960	4400	16.9	2100	4900	26.5	2275			
	4000	7.3	1520	3900	7.0	1510	4400	10.6	1635	4400	11.0	1695	4600	13.2	1865	4900	16.8	2000	5000	21.0	2150	5600	32.0	2330			
	4600	9.3	1570	4600	9.1	1585	5000	12.4	1690	5100	13.0	1750	5200	15.2	1920	5600	20.5	2050	5600	26.0	2200	6200	38.0	2420			
	5600	13.5	1675	5600	13.5	1675	5600	14.7	1750	5650	16.4	1810	5800	17.0	1940	6250	25.0	2110	6250	30.9	2260						
	6300	16.0	1750	6300	15.9	1750	6250	17.1	1800	6250	19.3	1900	6250	20.8	1990												
M-17	3600	6.0	1190	4000	7.0	1260	4000	8.0	1340	4200	9.8	1420	4800	12.9	1575	5600	18.8	1725	5600	21.0	1825	6400	30.0	1975			
	4100	6.9	1225	4800	9.2	1310	4900	10.8	1400	5000	11.5	1460	5650	16.1	1630	7000	26.0	1810	6500	26.7	1880	7200	34.0	2020			
	4800	8.0	1250	5600	11.0	1360	5800	14.2	1460	5900	13.5	1500	6500	21.1	1685	8000	30.0	1875	7300	30.1	1935	8000	40.0	2080			
	5600	10.1	1300	6500	14.0	1430	6500	15.7	1480	6800	17.8	1575	7200	22.2	1700	9100	33.2	1935	8000	35.2	1990						
	7300	15.1	1400	7500	16.3	1475	8000	21.1	1590	8000	24.0	1650	8000	25.0	1755												
M-19	5200	8.5	1080	5200	10.0	1145	6000	12.5	1260	6000	14.9	1320	7200	20.0	1440	8200	25.2	1560	6200	23.9	1525	7000	26.8	1610	8000	36.0	1775
	6100	10.7	1125	6000	11.5	1180	7000	16.0	1285	7200	18.0	1355	8200	26.0	1500	7200	25.2	1560	8200	32.0	1700	9000	43.0	1810			
	7000	12.6	1160	7100	14.4	1235	8000	20.0	1340	8000	21.0	1390	9000	27.0	1530	8200	28.0	1590	9000	38.0	1725	10000	47.5	1855			
	8200	15.3	1225	8200	18.0	1275	9000	24.0	1390	9000	26.2	1440	10000	33.0	1580	10000	38.0	1670	10000	42.0	1775						
	9000	18.0	1260	9000	21.0	1330	10000	27.2	1425	10000	30.0	1480	11000	38.9	1610												
M-21	6200	10.6	985	6200	11.0	1030	7000	16.0	1100	7500	17.0	1180	8600	25.2	1300	8600	19.9	1395	8600	31.0	1460	9800	46.1	1625			
	7500	13.0	1030	7500	14.1	1070	8600	20.5	1170	8600	20.9	1200	9800	31.0	1350	9800	35.0	1430	9800	40.9	1510	11000	52.5	1665			
	8500	15.6	1060	8600	17.0	1100	9800	23.0	1200	9800	26.0	1250	11000	35.0	1375	11000	42.1	1480	11200	48.5	1575	12200	62.8	1700			
	9800	19.0	1085	9850	22.0	1160	11000	29.2	1240	11000	31.5	1300	12000	40.0	1415	12500	49.0	1500	12200	57.0	1610						
	11100	22.5	1140	11000	27.0	1195	12000	33.0	1275	12000	36.9	1340															
M-24	8000	13.0	850	8000	14.5	890	9500	21.5	980	9800	25.0	1060	11000	31.0	1125	12500	44.8	1230	12500	51.0	1310	12800	59.5	1410			
	9800	17.1	890	9800	18.6	940	11000	26.0	1010	11500	30.0	1095	13000	40.0	1180	14500	53.0	1290	13000	54.0	1325	14500	69.8	1455			
	11000	20.6	920	11500	23.9	980	12500	31.9	1040	13000	36.0	1110	14500	46.5	1210	16500	63.0	1315	14500	61.0	1370	16000	78.9	1510			
	12800	25.0	950	12800	28.5	1000	14500	38.5	1085	14500	43.5	1150	16000	53.0	1240	17000	65.0	1335	16200	71.0	1415						
	14500	31.0	995	14500	35.0	1050	16000	44.0	1130	16000	50.0	1175	17500	60.0	1250												

Capacities are available up to 20,000 CFM — Static pressure capacity up to 30"

M29 HGT 65 3/8"

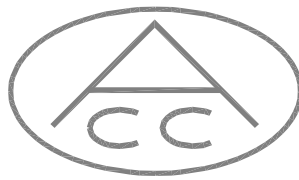


AIR CONVEYING CORPORATION

2196 EAST PERSON
MEMPHIS, TENNESSEE 38114
901/454-5016

Printed in U.S.A.

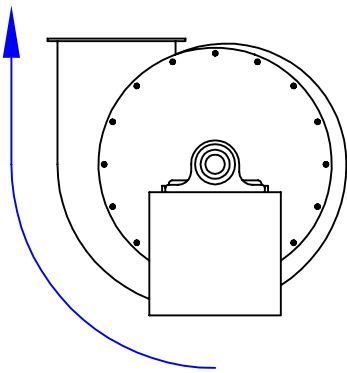
TELEPHONE: (901) 454-5016
FAX: (901) 324-7979



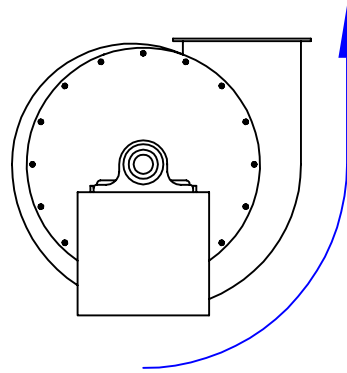
AIR CONVEYING CORPORATION
2196 E. PERSON * MEMPHIS, TN 38114

BLOWER ROTATION CONFIRMATION

We are requesting that you please take a moment to verify the rotation of the blower you have requested. Blower rotation can be confusing and mistakes are sometimes made. The rotation of the blower is determined by viewing the blower from the drive side (back). When ordering a wheel only, the rotation and model is all that is needed. When ordering a complete blower, the model, rotation and discharge location (shown at bottom of page) is required.



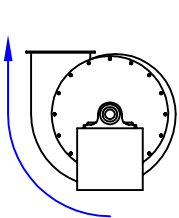
CLOCKWISE
ROTATION



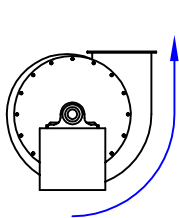
COUNTER-CLOCKWISE
ROTATION

BLOWER MODEL: _____ ROTATION: _____

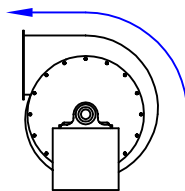
PLEASE CIRCLE BLOWER DISCHARGE LOCATION



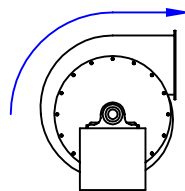
CLOCKWISE
UP BLAST
(CWUP)



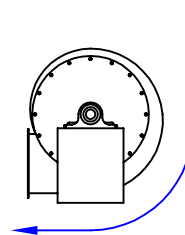
COUNTER-CLOCKWISE
UP BLAST
(CCWUP)



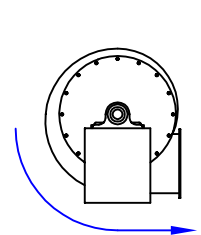
COUNTER-CLOCKWISE
TOP HORIZONTAL
(CCWTH)



CLOCKWISE
TOP HORIZONTAL
(CWTH)



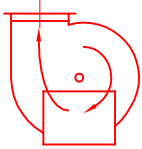
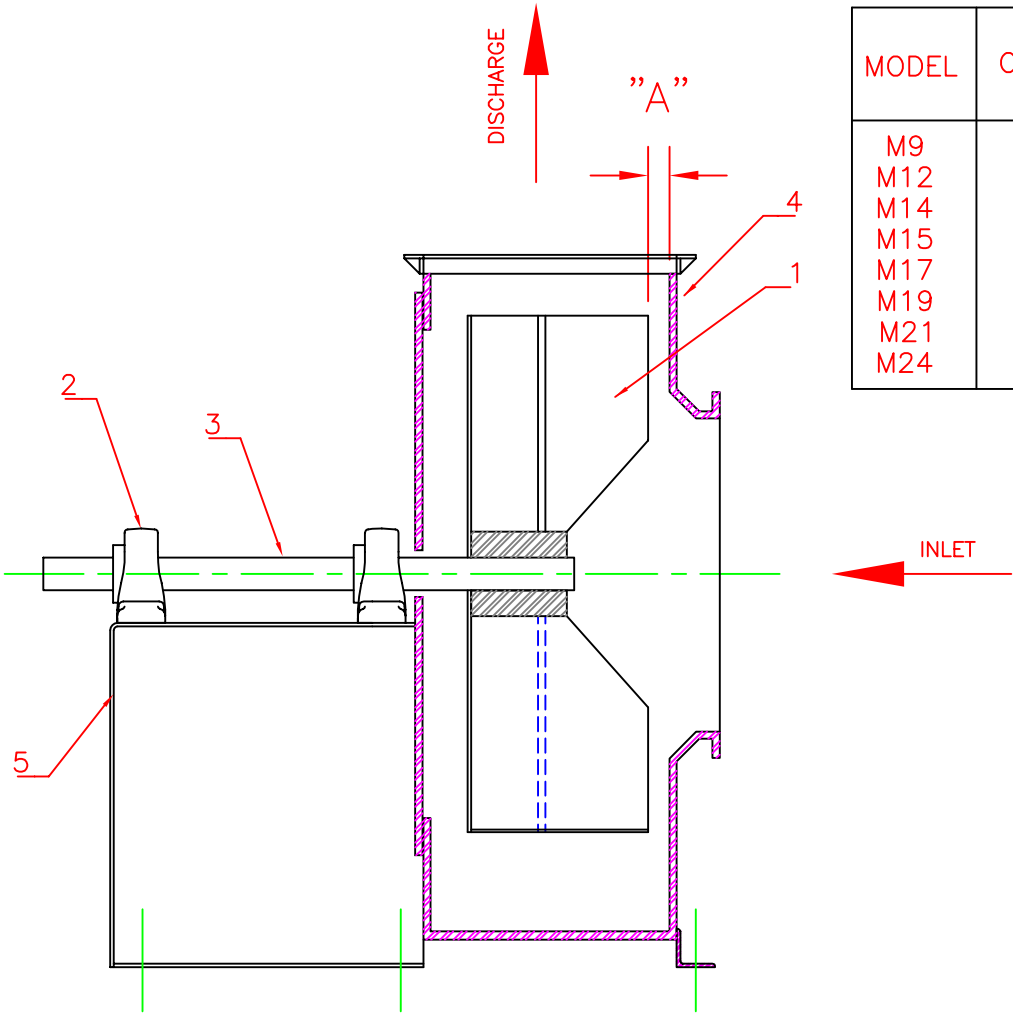
CLOCKWISE
BOTTOM HORIZONTAL
(CWBH)



COUNTER-CLOCKWISE
BOTTOM HORIZONTAL
(CCWBH)

ITEM	# REQD	DESCRIPTION
1	1	WHEEL
2	2	BEARING
3	1	SHAFT
4	1	HOUSING
5	1	BASE

MODEL	WHEEL CLEARANCE "A"	BEARING COLLAR SET SCREW TORQUE VALUES	
M9	1/2"	185	IN. LBS
M12	5/8"	325	" "
M14	5/8"	325	" "
M15	3/4"	460	" "
M17	1"	460	" "
M19	1 1/4"	680	" "
M21	1 1/2"	680	" "
M24	1 3/4"	680	" "



NOTE: WHEN ORDERING REPLACEMENT PARTS, PLEASE PROVIDE NAME OF PART, BLOWER MODEL NUMBER, AND ROTATION. ROTATION IS DETERMINED BY VIEWING THE BLOWER FROM THE DRIVE END OF SHAFT

EXAMPLE: THIS ROTATION IS CLOCKWISE UP



AIR CONVEYING CORPORATION
MEMPHIS, TENNESSEE

BLOWER PARTS DRAWING

REV.	DATE	DESCRIPTION
A	9/8/98	REDRAWN ON CAD

DRAWN	TT	DATE	12/4/69	CHECKED	SCALE	NONE
REF.					DRG. NO.	A264