

PRELIMINARY

Questo disegno e' proprietà della PORTA S.p.A. Ogni riproduzione o cessione a terzi e' pertanto vietata a termini di legge. This drawing is the property of PORTA S.p.A. Any copy or communication to a third party is forbidden as by law enacted.

Disegnato/Drawn: ALDO ROSATI
 Verificato/Checked: ALDO ROSATI
 Data/Date: 25/10/2007

porta
 25100 Cologna (Brescia) ITALY
 Tel. 030 800837
 Fax 030 800835

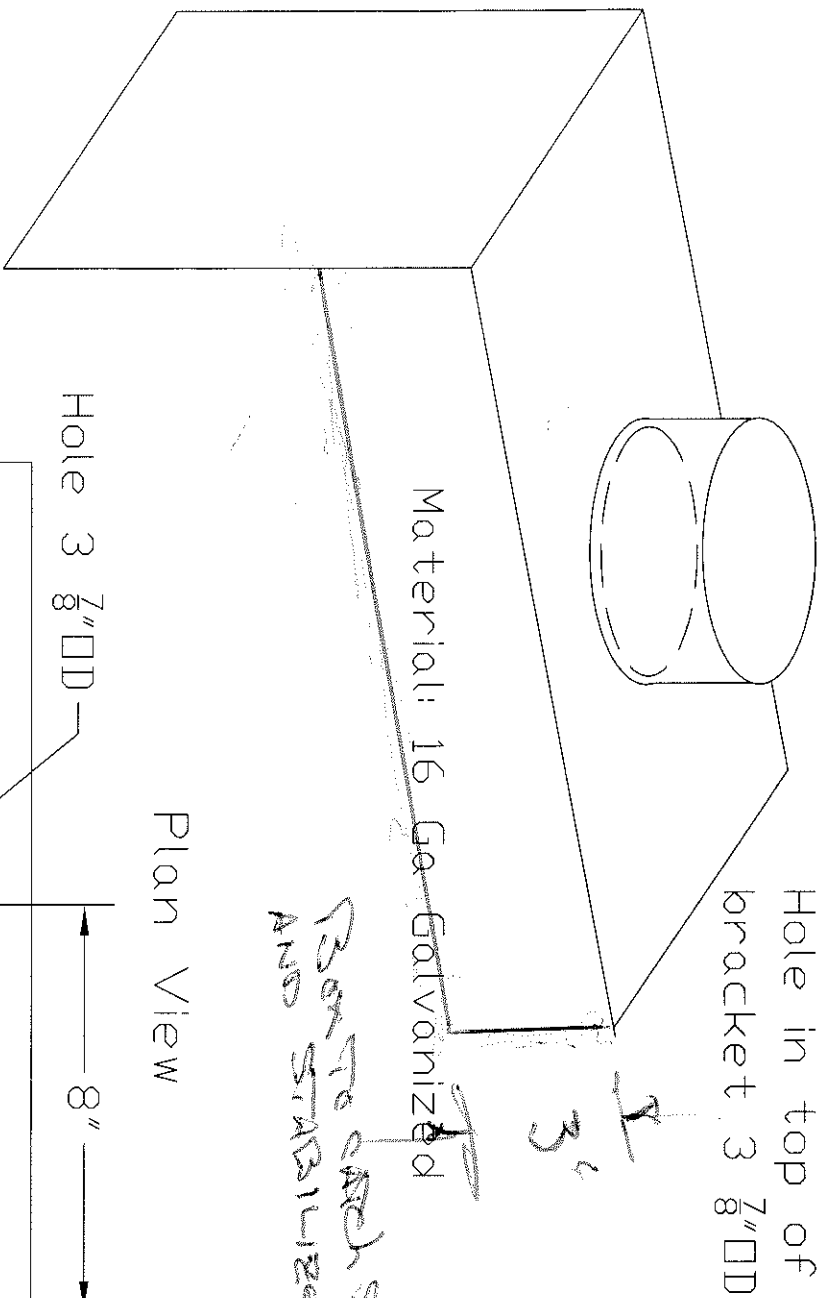
LAYOUT PLANE C.1138
 codice identificativo/ID code: 0001138_2D.tdw
 Formato: A3
 Spessore: 1:40
 Particolarità: 1 / 1

0001138

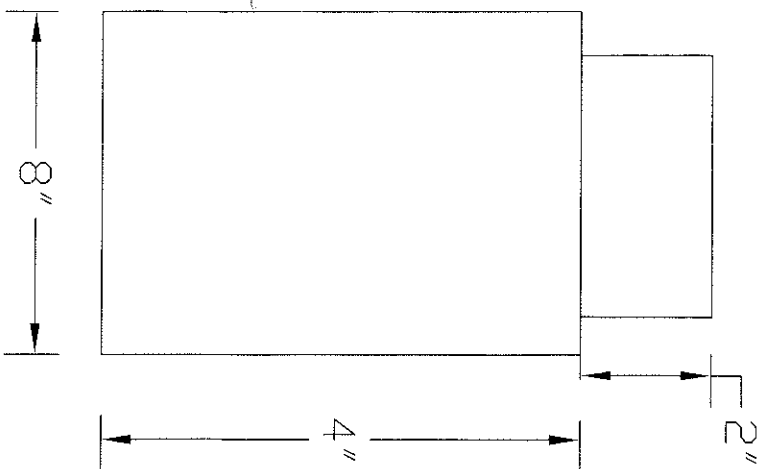
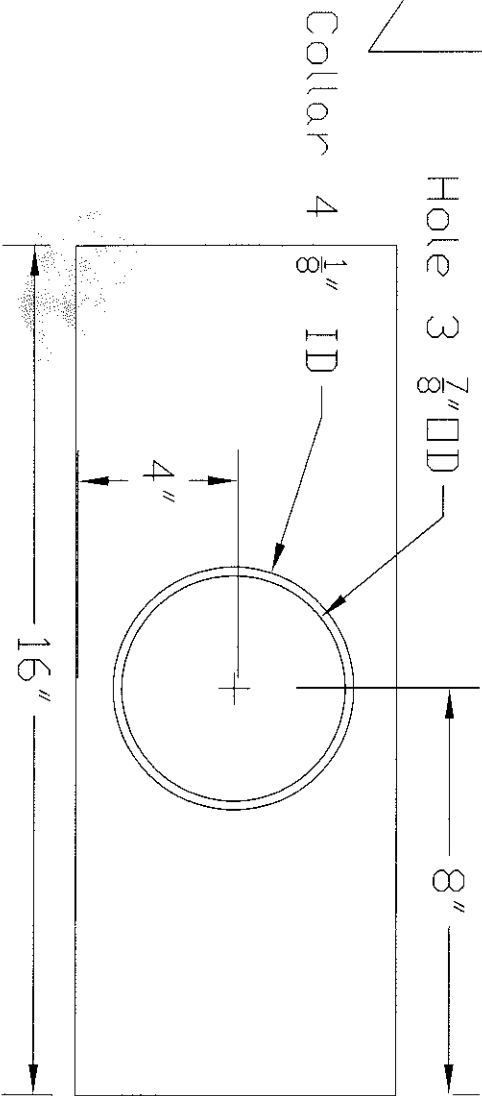
L Bracket for Pick Up Support

Weld collar to top of
Isometric View bracket, 4 1/8" ID RAW

Side View



Plan View



Industrial Air Quality
102 AG DRIVE
Youngsville, NC 27596
Project: Bonney Forge
Drawing: L Bracket
Date: 10/2/08 Drawn by: RAV
Sheet No:

Industrial Air Quality
27596
102 AG DRIVE
Youngsville, NC
P# 919-562-7181 F# 919-562-7182

IAQ

