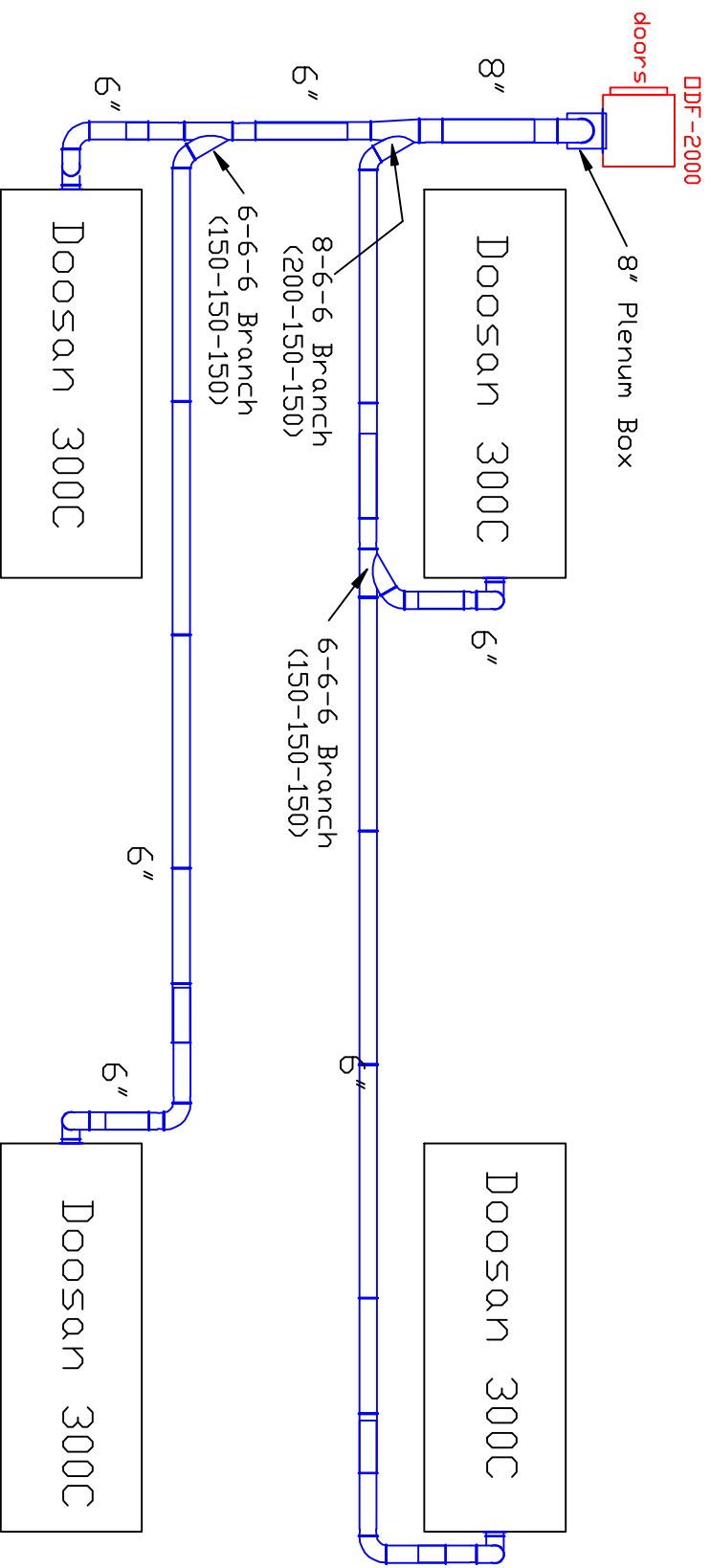


Bonney Forge Doosan 300C System Plan View



Note: Each machine gets an 8" square plate with 6" Hole, 6" connection flange, 6" 90° Elbow, 6" Throttle Valve and tubing up to 6" 90° Elbow.

Avanti Environmental Intl.
95 Cypress Drive 27596
Raleighville, NC
P# 919-570-2862 F# 919-570-2863



Project: Bonney Forge

Drawing: Doosan 300C System

Date: 1/27/12 Drawn by:

Sheet No: 1 of 1 Rev: 0