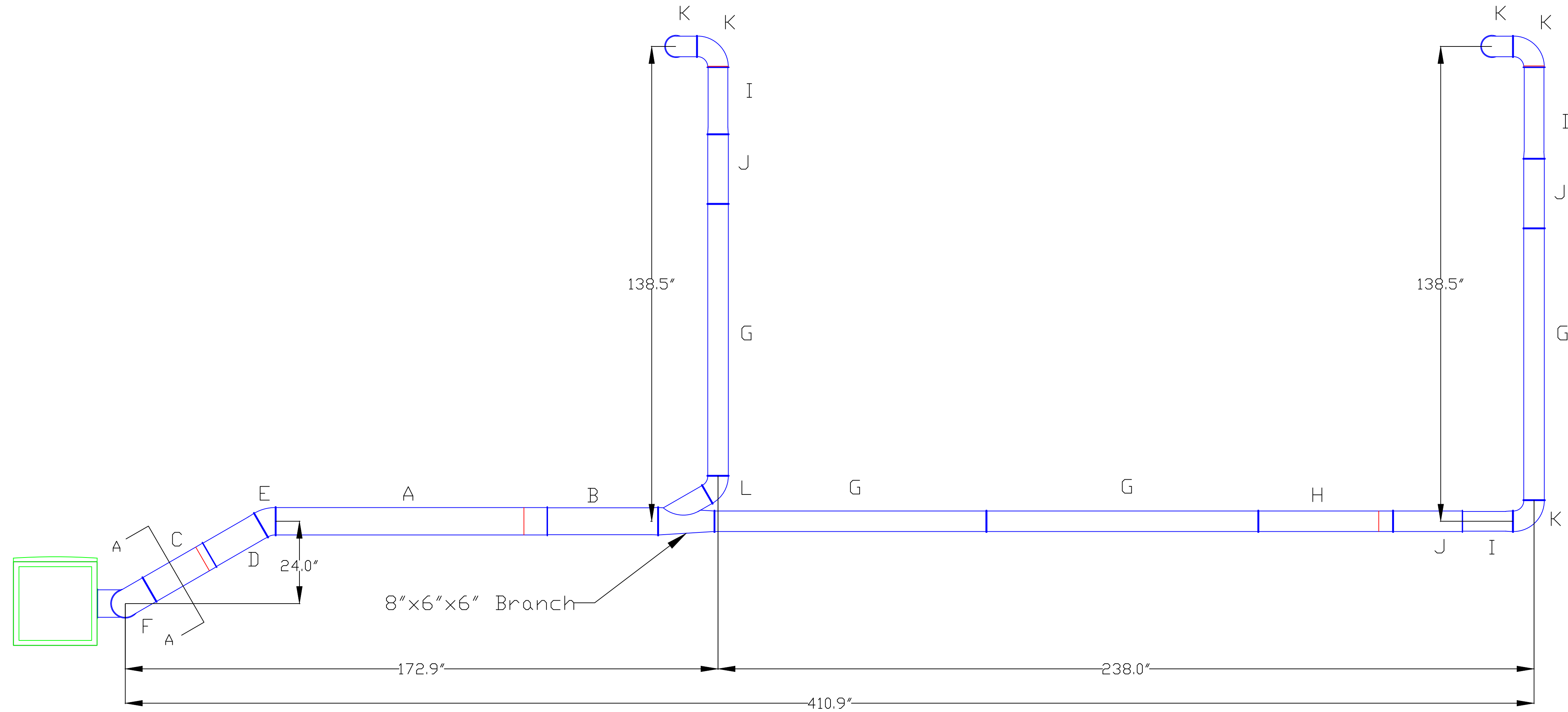
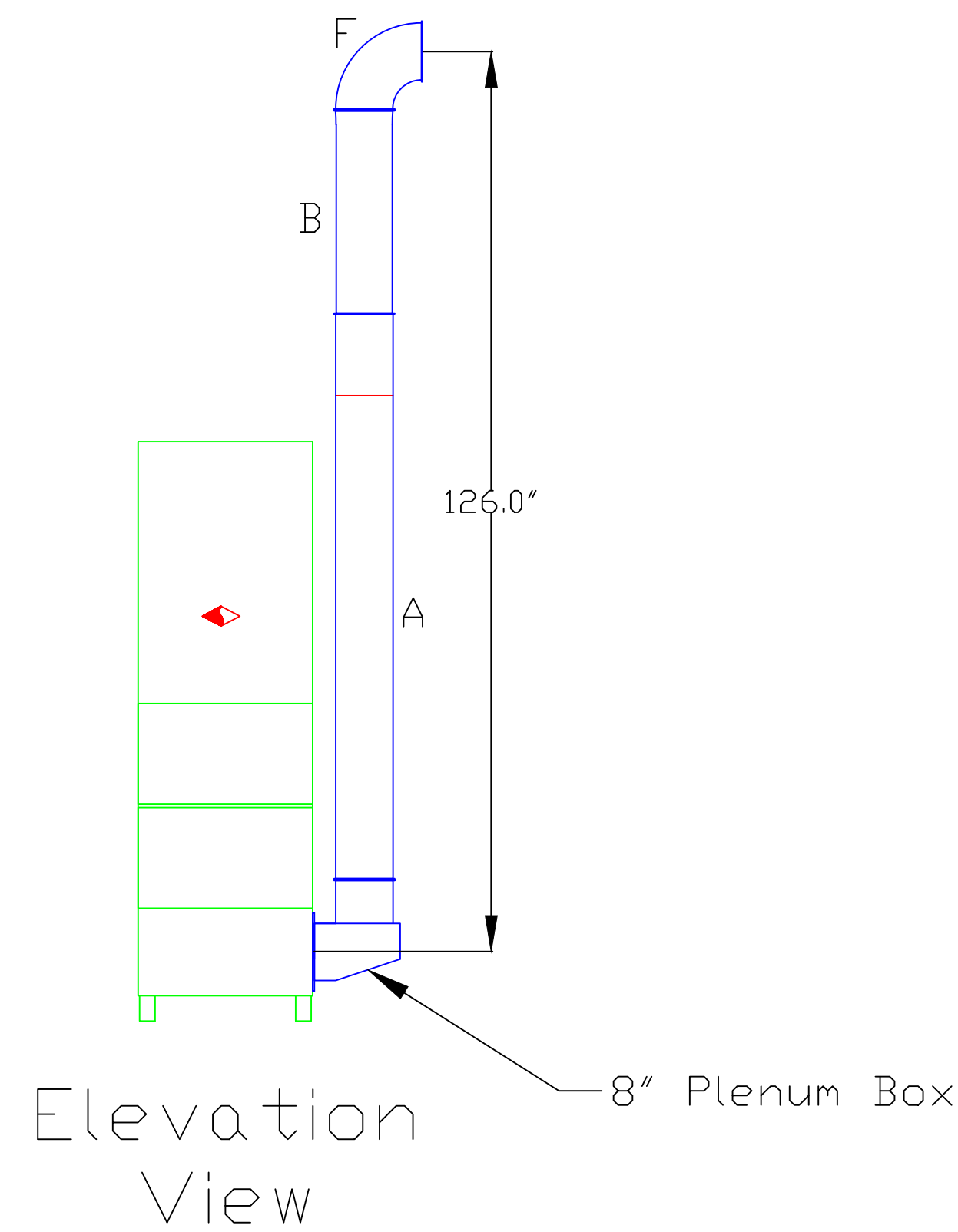


# Bonney Forge Corp

SO 18913



Plan View



Elevation View

- Bill of materials:
- A=8" dia. 2000mm tube
  - B=8" dia. 1000mm slip tube
  - C=8" dia. 500mm tube
  - D=8" dia. 500mm slip tube
  - E=8" dia. 30 deg elbow
  - F=8" dia. 90 deg elbow
  - G=6" dia. 2000mm tube
  - H=6" dia. 1000mm tube
  - I=6" dia. 1000mm slip tube
  - J=6" dia. 500mm tube
  - K=6" dia. 90 deg elbow
  - L=6" dia. 60 deg elbow

Avani Environmental Intl. Inc.  
 95 Cypress Drive  
 Youngsville, NC 27596  
 P# 919-570-2862 F# 919-570-2863

**Avani**

Project: Bonney Forge Corp

Drawing: Duct Layout

Date: 8-15-12 | Drawn by: MDT

Sheet No: 1 OF 1