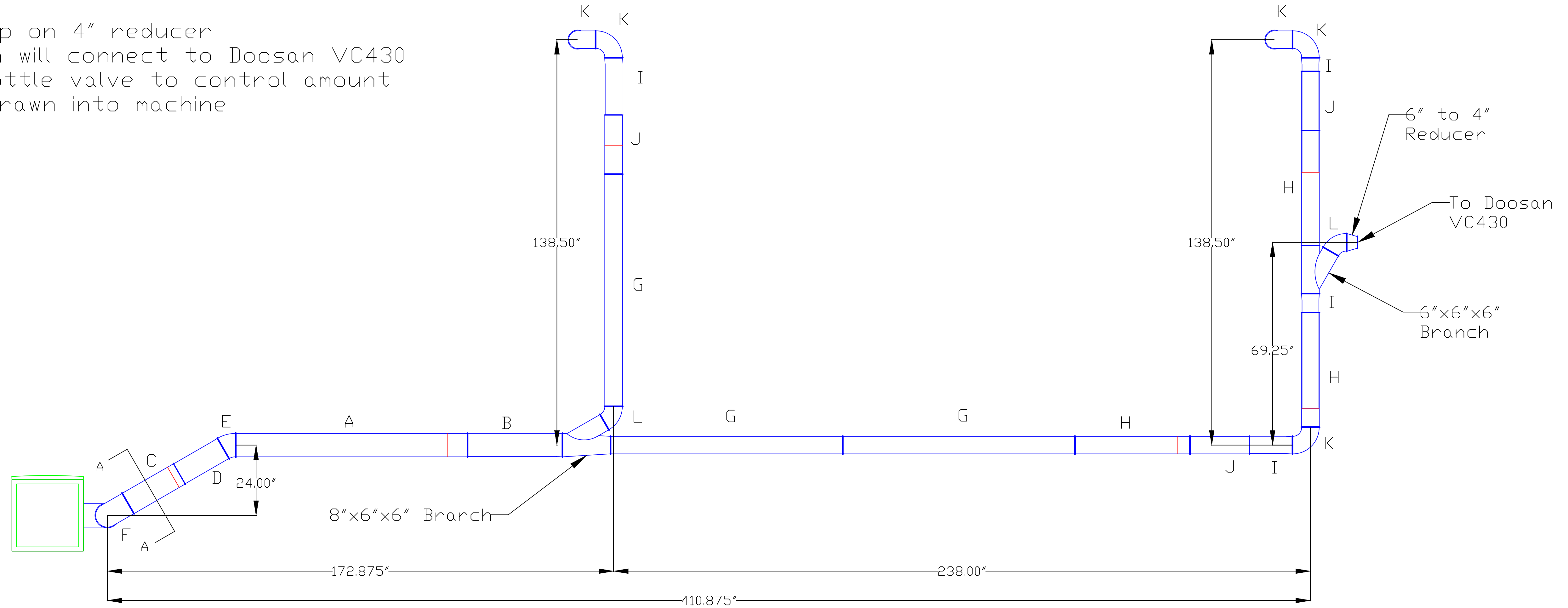


Bonney Forge Corp

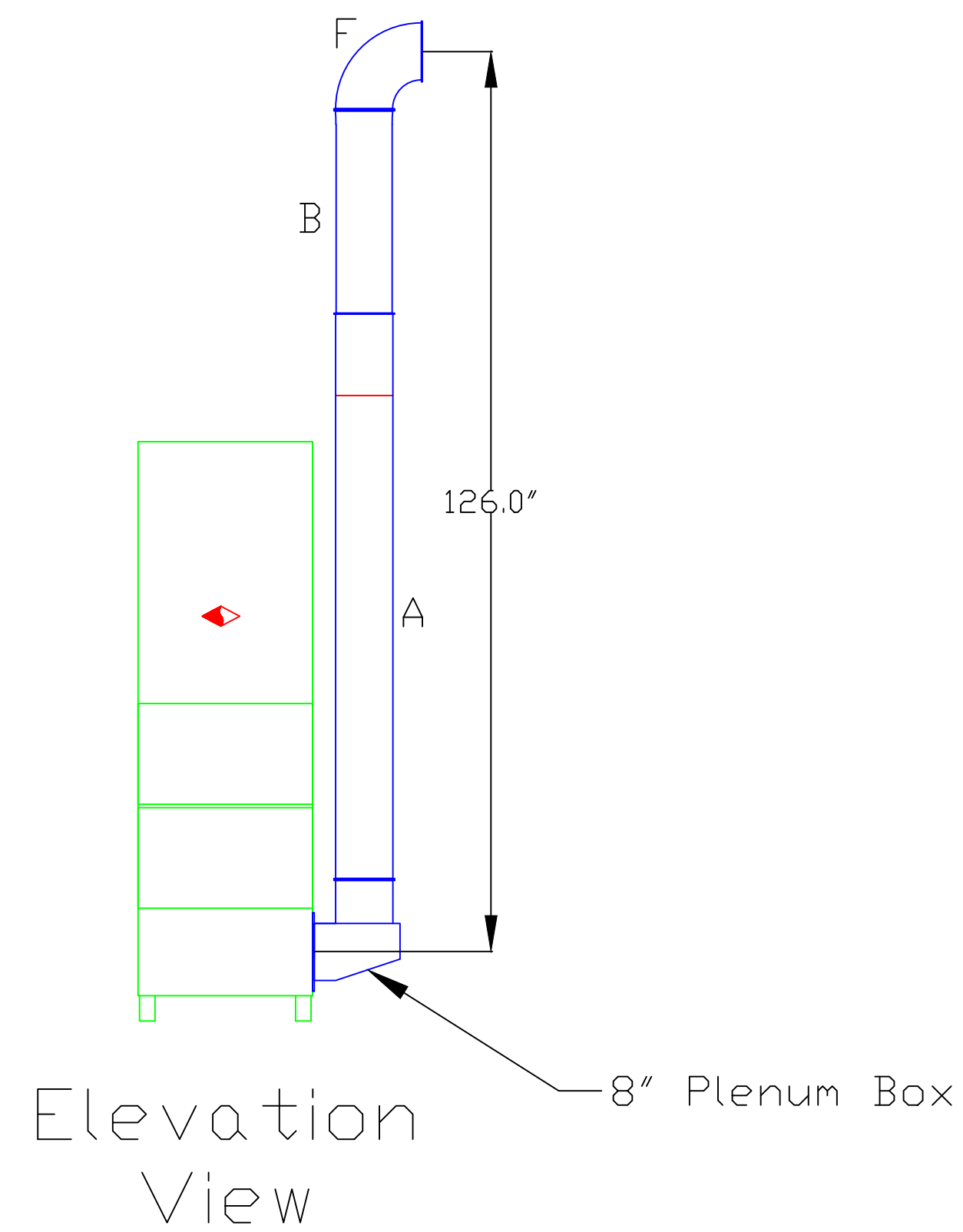
SO 18913

Notes:

1. End cap on 4" reducer
2. Branch will connect to Doosan VC430 with throttle valve to control amount of CFM drawn into machine



Plan View



Bill of materials:

- A=8" dia. 2000mm tube
- B=8" dia. 1000mm slip tube
- C=8" dia. 500mm tube
- D=8" dia. 500mm slip tube
- E=8" dia. 30 deg elbow
- F=8" dia. 90 deg elbow
- G=6" dia. 2000mm tube
- H=6" dia. 1000mm tube
- I=6" dia. 1000mm slip tube
- J=6" dia. 500mm tube
- K=6" dia. 90 deg elbow
- L=6" dia. 60 deg elbow

Avani Environmental Intl. Inc.
 95 Cypress Drive
 Youngsville, NC 27596
 P# 919-570-2862 F# 919-570-2863

Avani

Project: Bonney Forge Corp

Drawing: Duct Layout

Date: 8-23-12 | Drawn by: MDT

Sheet No: 1 OF 1