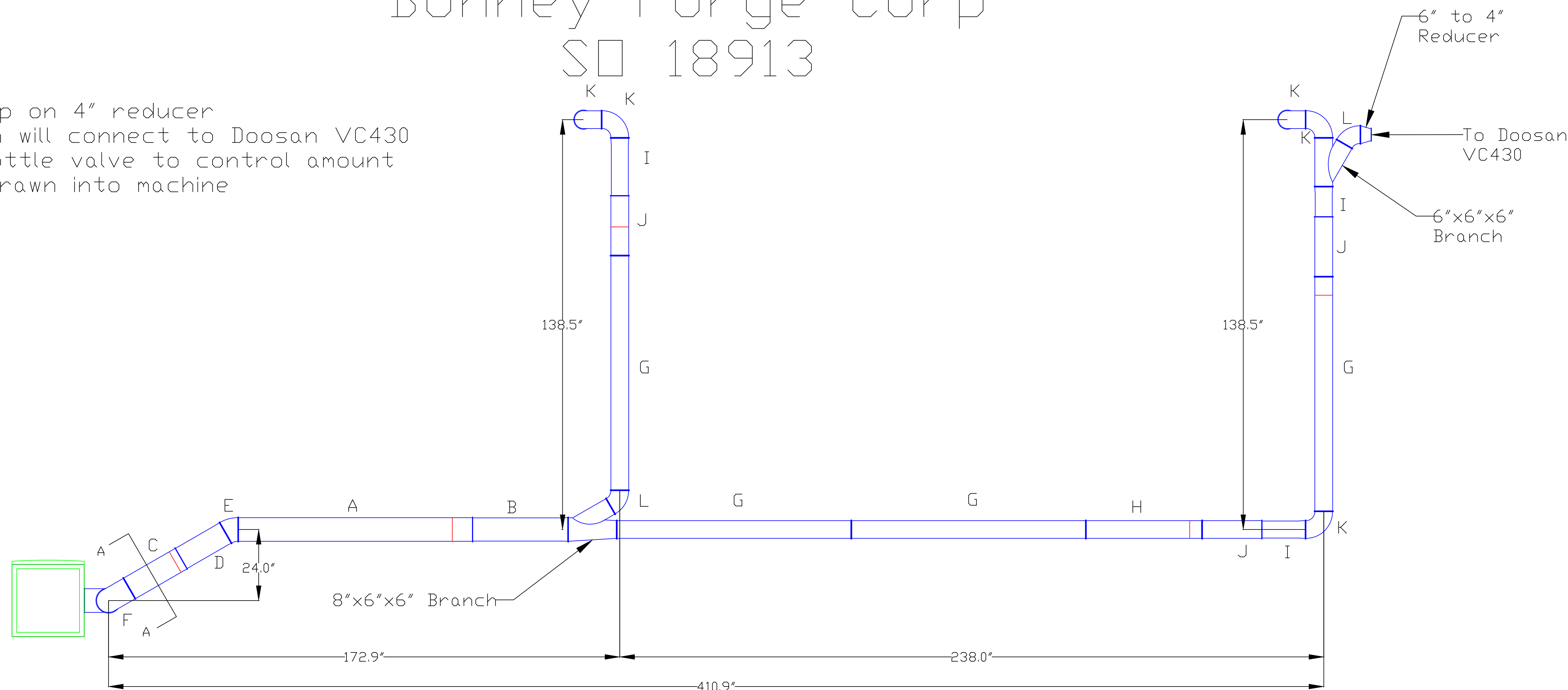


Bonney Forge Corp

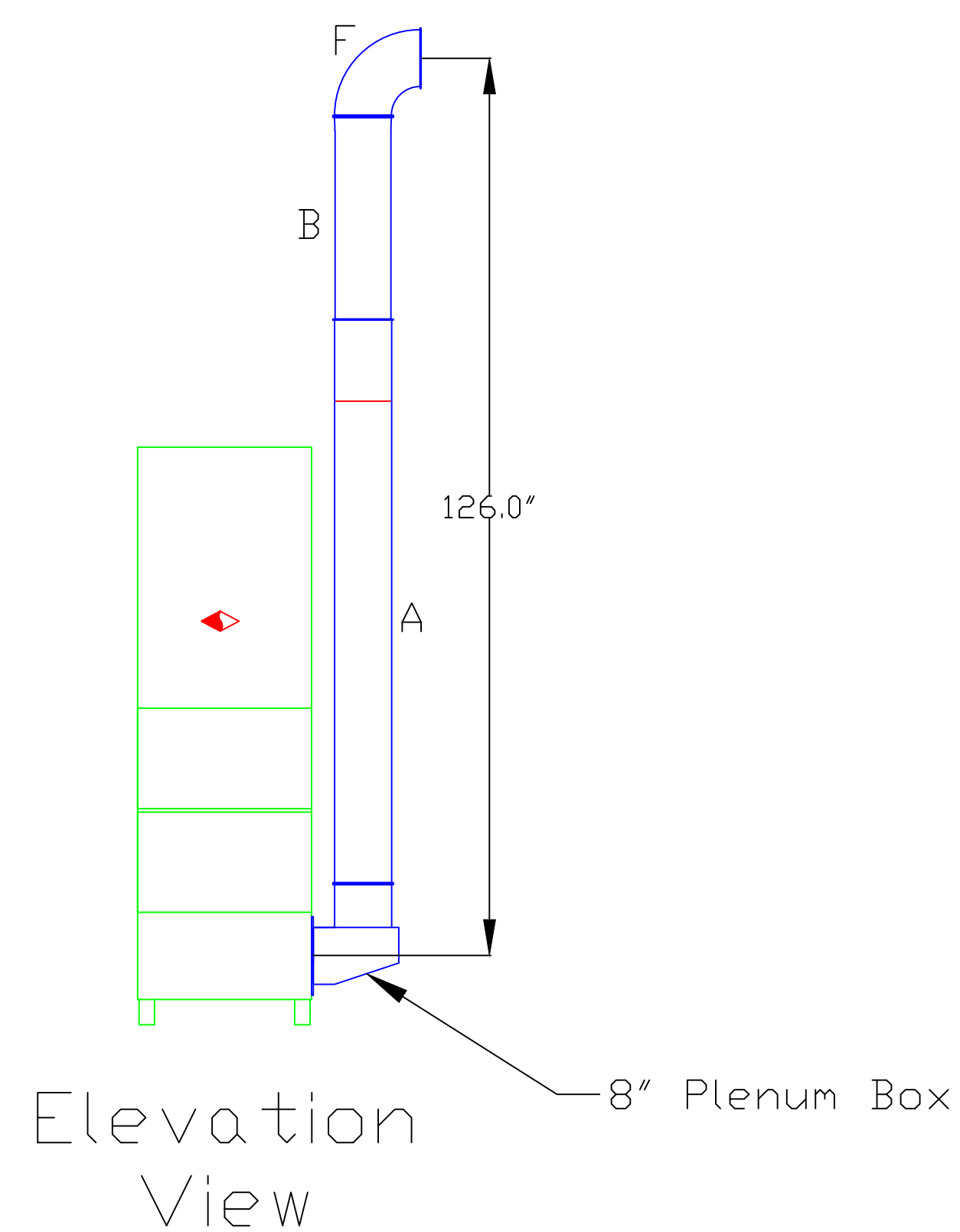
SO 18913

Notes:

1. End cap on 4" reducer
2. Branch will connect to Doosan VC430 with throttle valve to control amount of CFM drawn into machine



Plan View



Elevation View

- Bill of materials:
- A=8" dia. 2000mm tube
 - B=8" dia. 1000mm slip tube
 - C=8" dia. 500mm tube
 - D=8" dia. 500mm slip tube
 - E=8" dia. 30 deg elbow
 - F=8" dia. 90 deg elbow
 - G=6" dia. 2000mm tube
 - H=6" dia. 1000mm tube
 - I=6" dia. 1000mm slip tube
 - J=6" dia. 500mm tube
 - K=6" dia. 90 deg elbow
 - L=6" dia. 60 deg elbow

Avani Environmental Intl. Inc. 95 Cypress Drive Youngsville, NC 27596 P# 919-570-2862 F# 919-570-2863		<h1>Avani</h1>
Project: Bonney Forge Corp		
Drawing: Duct Layout		
Date: 8-16-12	Drawn by: MDT	
Sheet No: 1 OF 1		