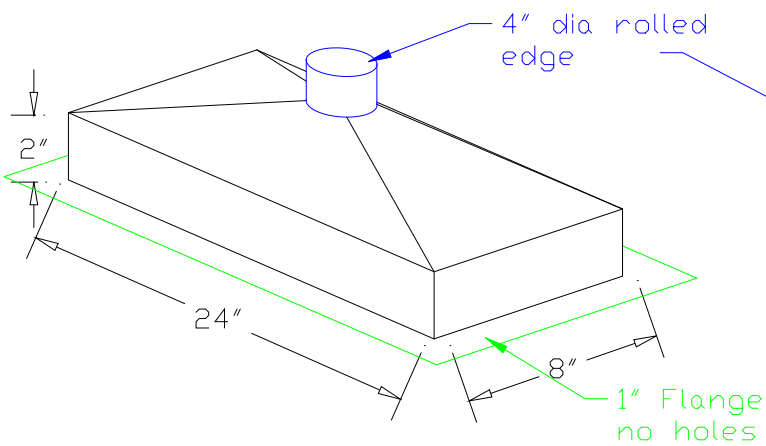


ACME Hood Detail Drawing

Hood #1

Isometric View

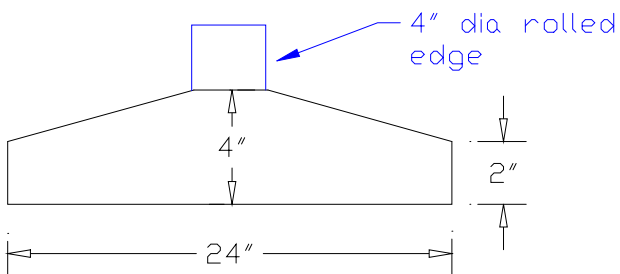
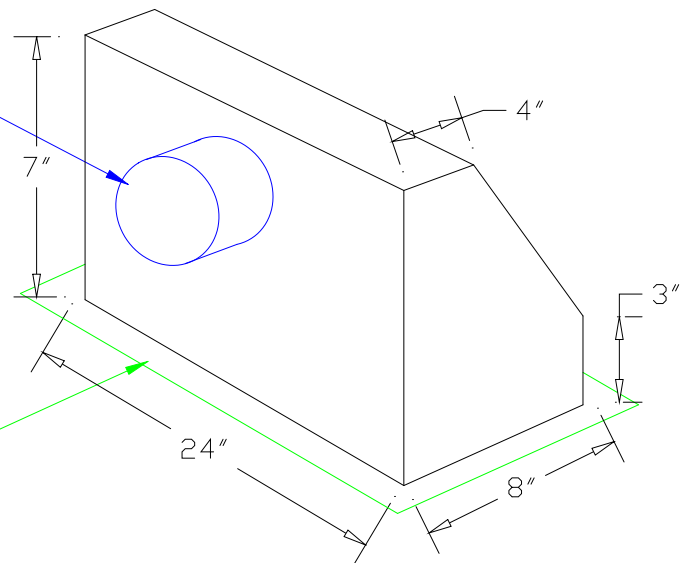


Material: 20Ga Aluminized

Qty: 2 of each Hood

Hood #2

Isometric View



Industrial Air Quality	
102 AG DRIVE Youngsville, NC 27596	
P# 919-562-7181 F# 919-562-7182	
Project: Bonney Forge	
Drawing: ACME Hood	
Date: 7/13/09	Drawn by: RAV
Sheet No:	

IAQ