
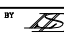
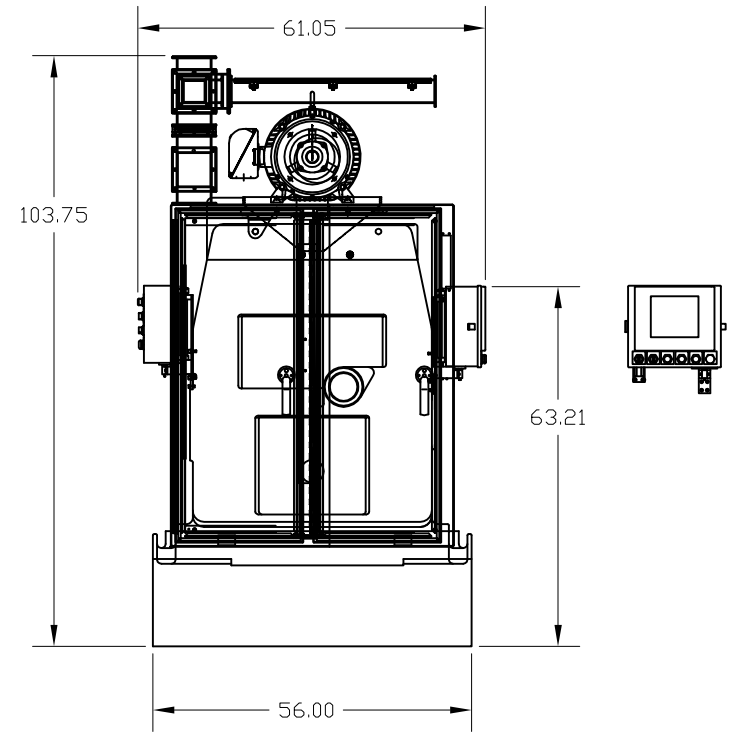
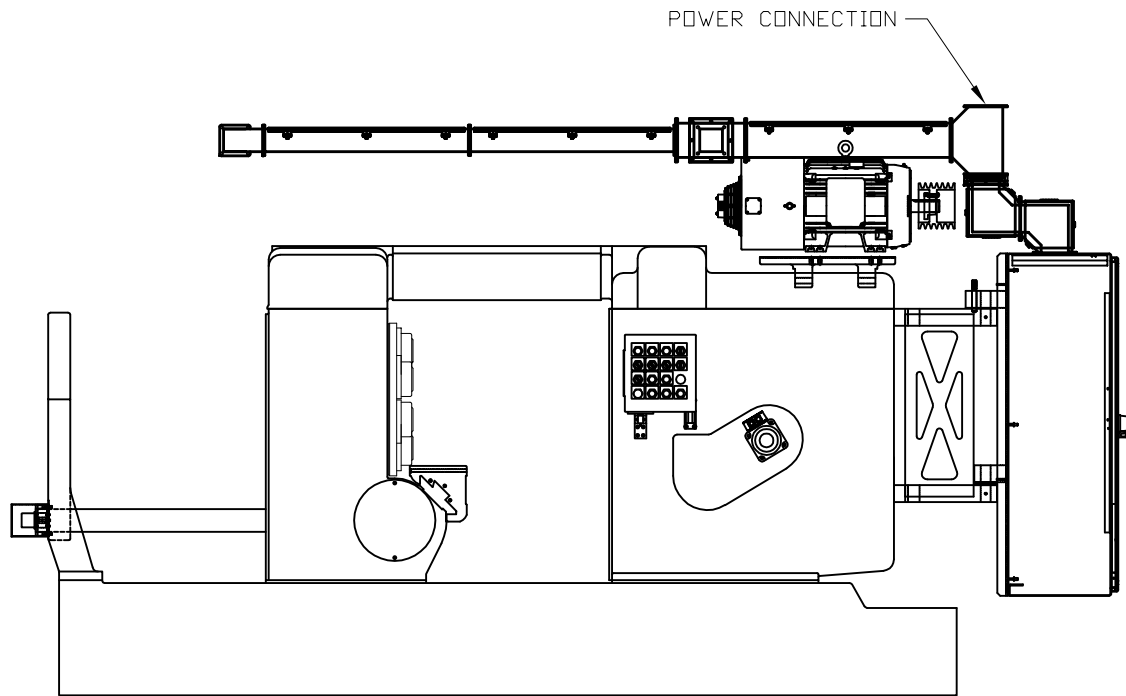




PART NO.				 JEM AUTOMATICS AND TOOLING Phone - (810)-755-7300 Fax - (810)-755-1229			
PART NO.							
PART NO.							
PART NO.							
TOLERANCES <small>(EXCEPT AS NOTED)</small>		REVISIONS		FLOOR PLAN			
FRACTIONAL		NO	DATE	BY	2 5/8 RB-8 TECHDRIVE		
± 1/64							
1 PLACE DEC.							
± .015							
2 PLACE DEC.							
± .010					SCALE	JOB NO.	
3 PLACE DEC.					16=1		
± .005					DATE	DRAWN BY	CHECKED BY
4 PLACE DEC.					12-15-03		
± .0005					SHEET NO.	DRAWING NO.	
ANGULAR					1 OF 2	2588-TDA-FP	
± 5°							



PART NO.		 JEM AUTOMATICS AND TOOLING Phone - (810)-755-7300 Fax - (810)-755-1229
PART NO.		
PART NO.		
PART NO.		
TOLERANCES <small>(EXCEPT AS NOTED)</small>	REVISIONS	FLOOR PLAN
FRACTIONAL ± 1/64	NO DATE BY	2 5/8 RB-8 TECHDRIVE
1 PLACE DEC. ± .015		
2 PLACE DEC. ± .010		SCALE 16=1
3 PLACE DEC. ± .005		DATE 12-15-03
4 PLACE DEC. ± .0005		DRAWN BY  CHECKED BY
ANGULAR ± 5°		SHEET NO. 2 OF 2
		DRAWING NO. 2588-TDA-FP