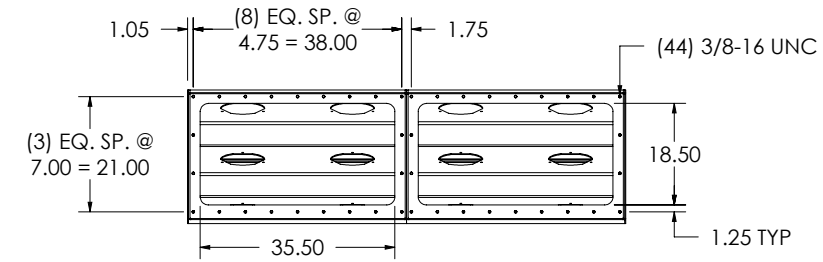
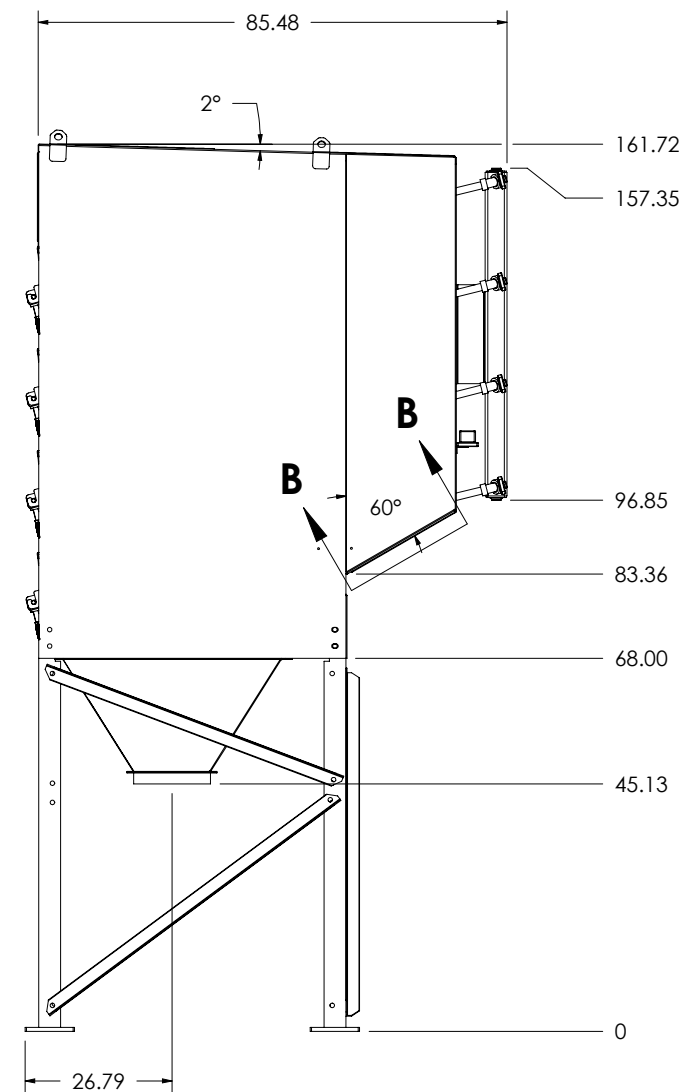
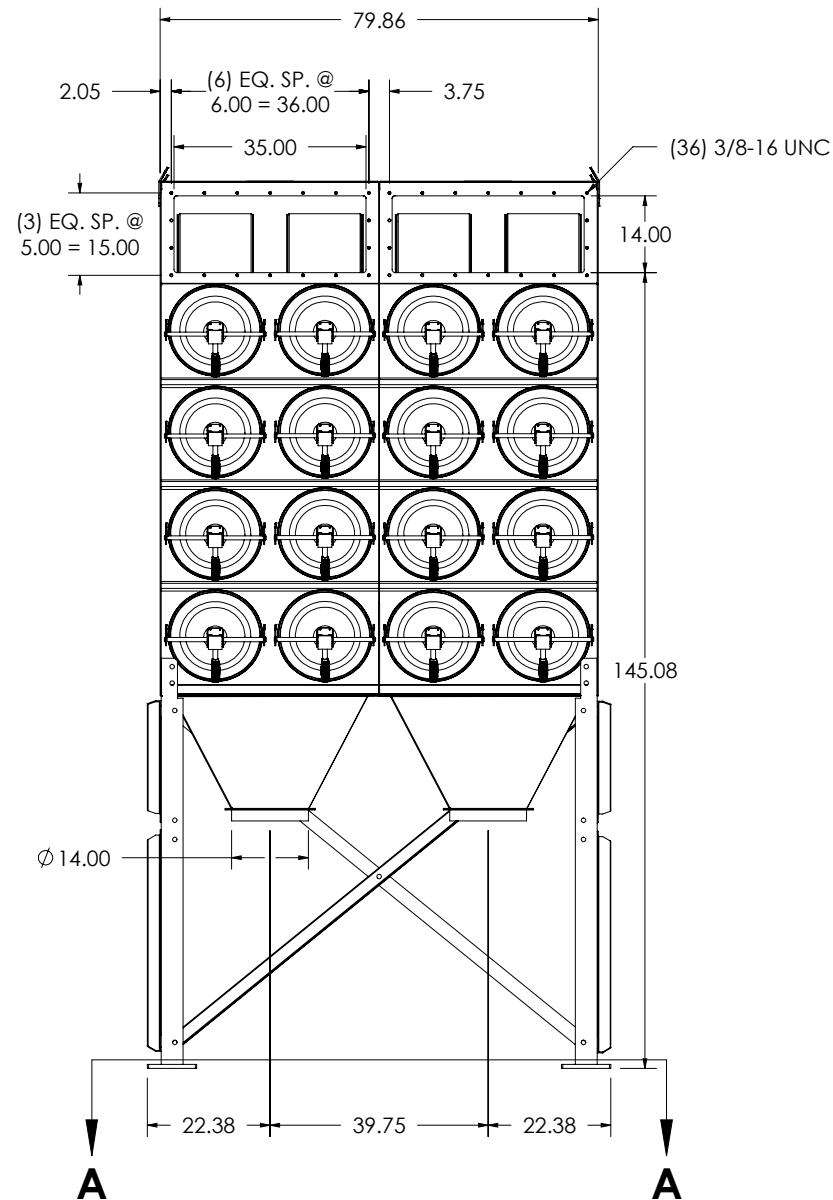
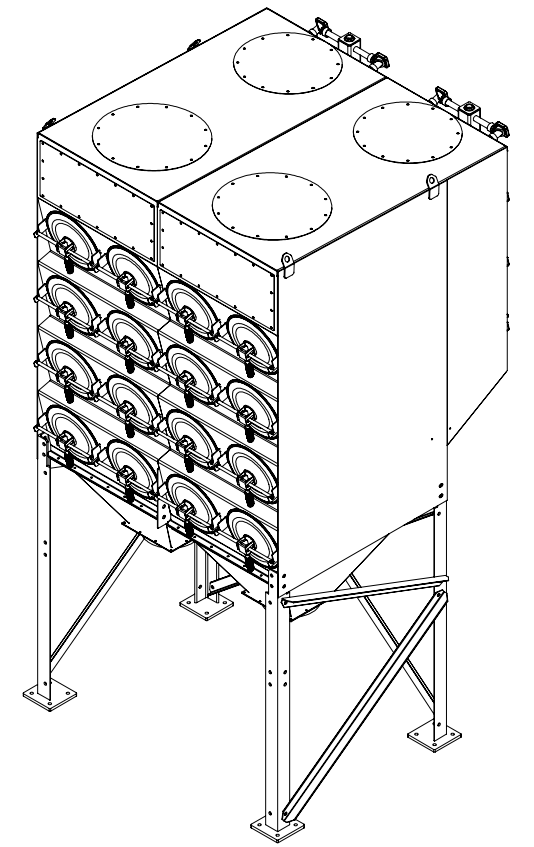


SECTION A-A



SECTION B-B



TCB/FAN SIZE	A	B
3	14.00	15.81
5-10	16.00	17.50
15-20	20.00	21.50
25-30	22.00	23.50

NOTES:

- FLOOR MOUNTED FANS MAY NOT HAVE TOP OUTLET HOLES

ACCESSORIES:

- FAN BLOWER: TCF 330 BCS
- FAN OUTLET DAMPER AND SILENCER
- ALL-IN-ONE CONTROLS (40HP/460V)

REV	ECN	DATE	BY	CHK	DESCRIPTION
A	-	10/10/13	JX	-	ADD NOTES

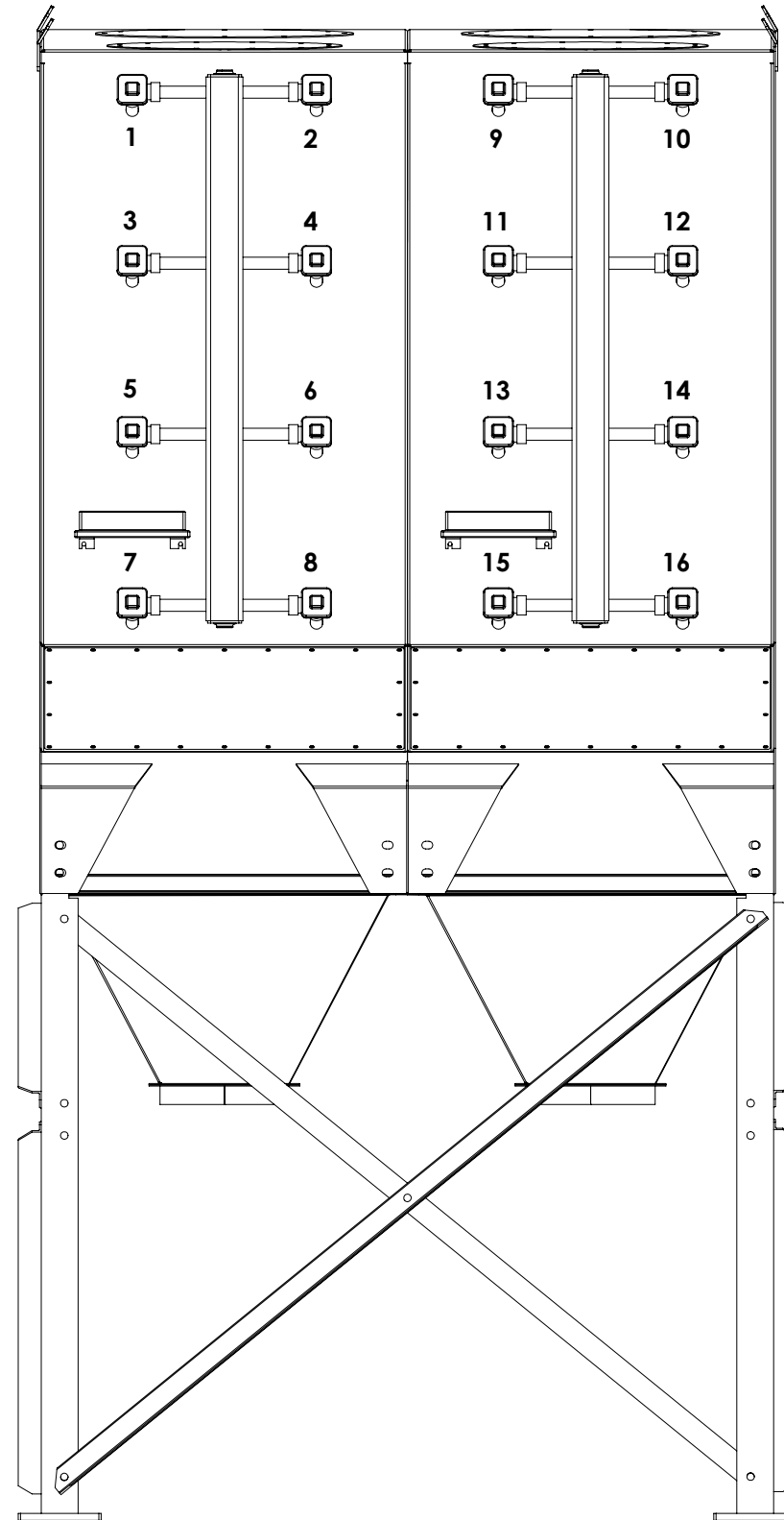


95 Cypress Dr.
Youngsville, NC 27597
Phone: 919-570-2862
www.avanienvironmental.com


DRAWN BY	JX
DATE	10/8/13
CHKD BY	JX
DATE	10/8/13
SHOP NO.	15667-001
SCALE	1:35

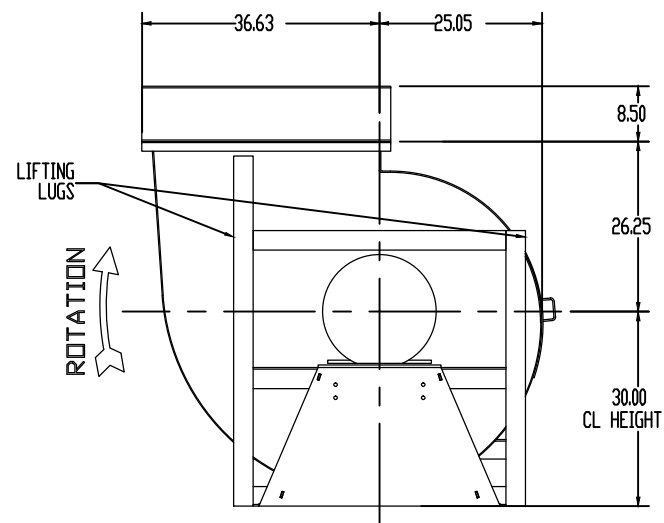
TITLE
SDC-AT 4-32

DRAWING NO.	SHEET	ITEM	REV.
BC 500010	1 OF 1	-	A

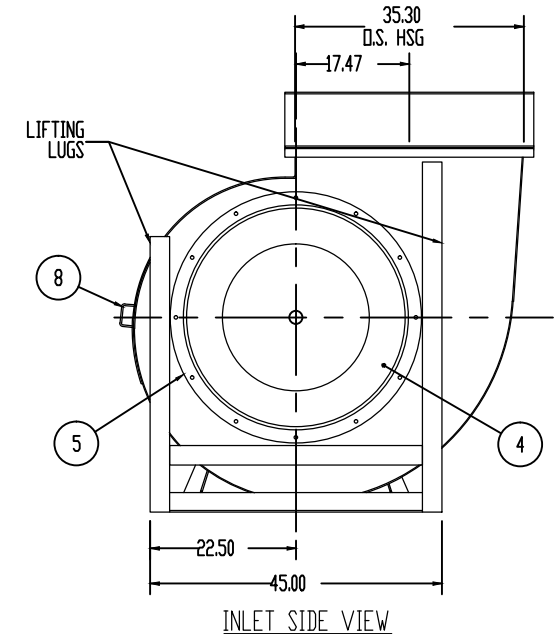
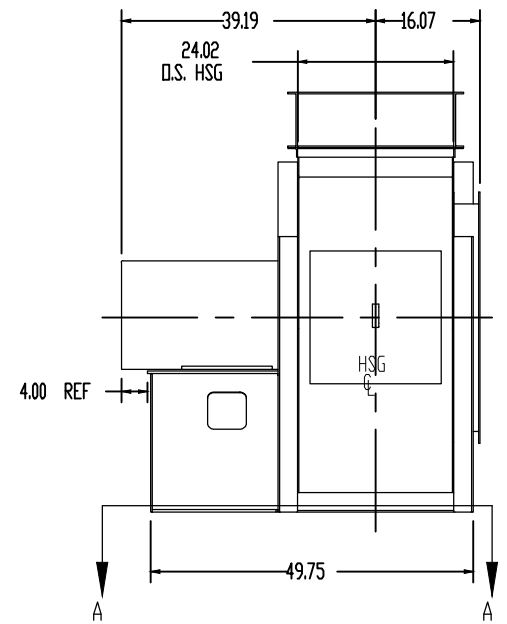


REV	ECN	DATE	BY	CHK	DESCRIPTION
-	-	-	-	-	-

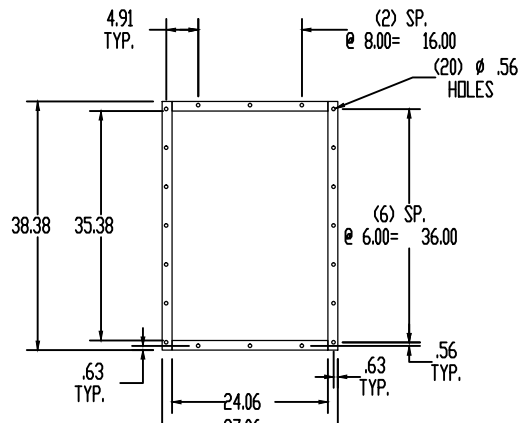
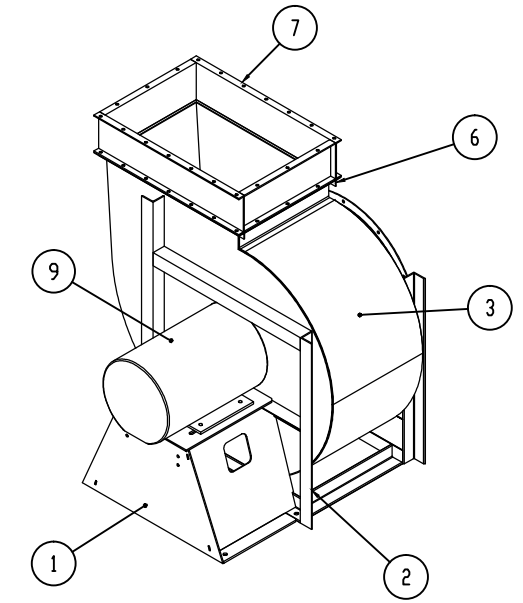
		95 Cypress Dr. Youngsville, NC 27597 Phone: 919-570-2862 www.avanienvironmental.com		
DRAWN BY JX		TITLE SDC-AT 4-32 DIAPHRAGM VALVE LOCATIONS		
DATE 10/10/13		DRAWING NO. BC 500034		
CHKD BY -		SHEET 1 OF 1		
DATE -		ITEM -		
SHOP NO. -		REV. -		
SCALE 1:20				



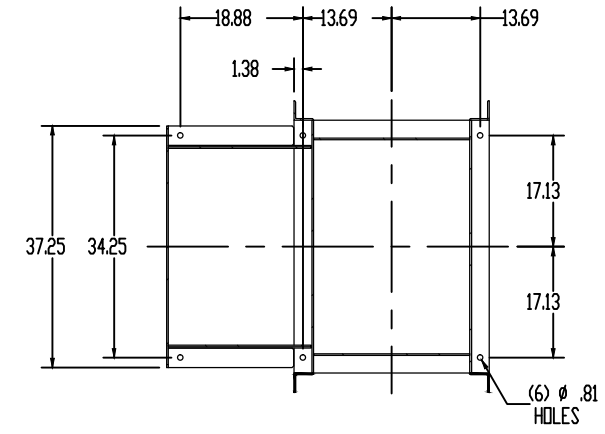
DRIVE SIDE VIEW



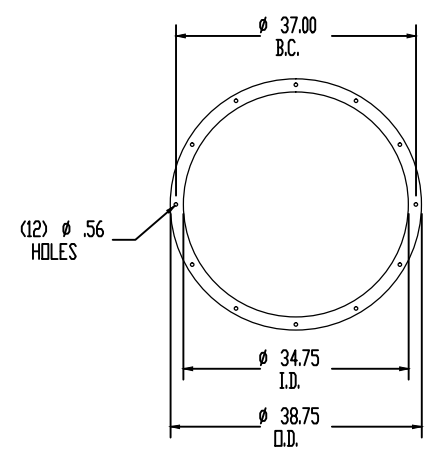
INLET SIDE VIEW



OUTLET FLANGE DETAIL



FOUNDATION PLAN - TOP VIEW SECTION A-A



INLET FLANGE DETAIL

- ACCESSORIES:
 1. DRAIN - 3/4" NPT W/PLUG
 2. SHAFT SEAL - STD TYPE
 3. COATING: ENTIRE FAN; ENAMEL - STD.; ENAMEL - AEROVENT GRAY INCLUDING DAMPER; PREP: TOOL CLEAN & WASH; CURING: PLANT DISCRETION

ITEM	DESCRIPTION	QTY	NOTES
10	WHEEL (NOT SHOWN)	1	
9	MOTOR	1	40 HP, 1800 RPM, 3/60/230-460V, TEFC-PREMIUM, 324T FRAME FURN. & MTD. BY TCF
8	ACCESS DOOR	1	BOLTED
7	DISCHARGE DAMPER	1	PARALLEL BLADE (STD TYPE) W/D STUFFING BOX PER AC14941 EXCEPT 2.19" NARROWER THAN STD.
6	OUTLET FLANGE	1	1.5" x 1.5" x .25" ANGLE, PUNCHED PER DETAIL
5	INLET FLANGE	1	7 GA THK FLANGE, PUNCHED PER DETAIL
4	INLET CONE	1	
3	HOUSING ASSEMBLY	1	HSG SIDE = 7 GA., SCROLL = 7 GA.
2	FRAME	1	
1	PEDESTAL	1	

* THE DESIGN SHOWN ON THIS DRAWING IS THE EXCLUSIVE PROPERTY OF TWIN CITY FAN COMPANIES, LTD. IT IS NOT TO BE USED FOR ANY PURPOSE OR ITS CONTENTS DISCLOSED WITHOUT OUR WRITTEN CONSENT.

JOB AND LOCATION	PERFORMANCE 'A'
CUSTOMER NAME	AIR CLEANING TECHNOLOGY, INC
JOB NAME	94AVANI
JOB ID	94AVANI
SOL NUMBER	516982
TAG UNIT	BCS 330 -16000

TEMP.	70°F	DRAWN BY	PKS
ELEVATION	0 FT	DATE	09/11/14
DENSITY	0.075	CHKD BY	PKS
CFM	16000	DATE	09/11/14
SP.	12	MOTOR WT	485 LBS
RPM	1781	FAN WT	1110 LBS
BHP.	38.05		
T.S.	15387		
D.V.	2792	SCALE	1:28

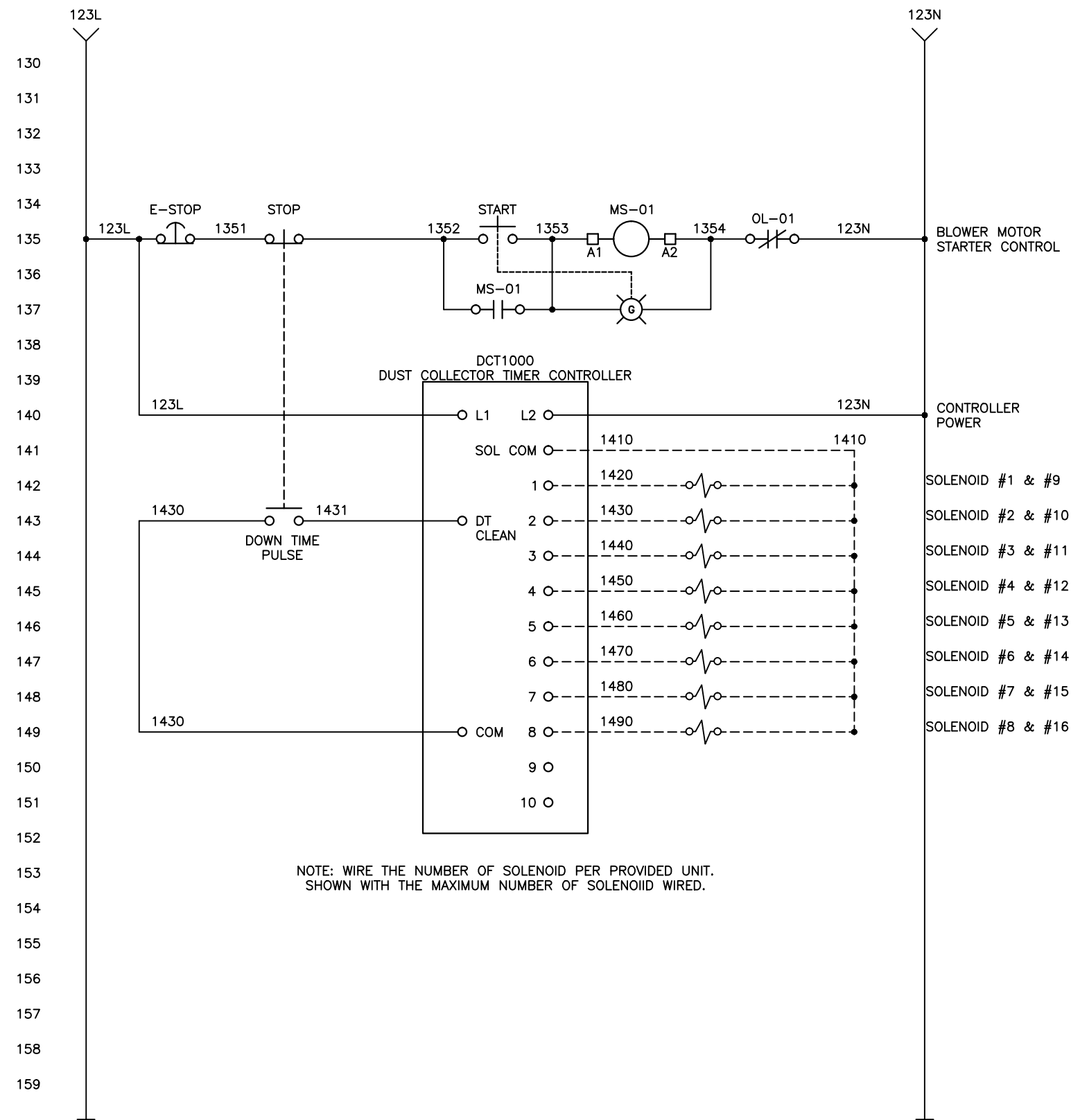
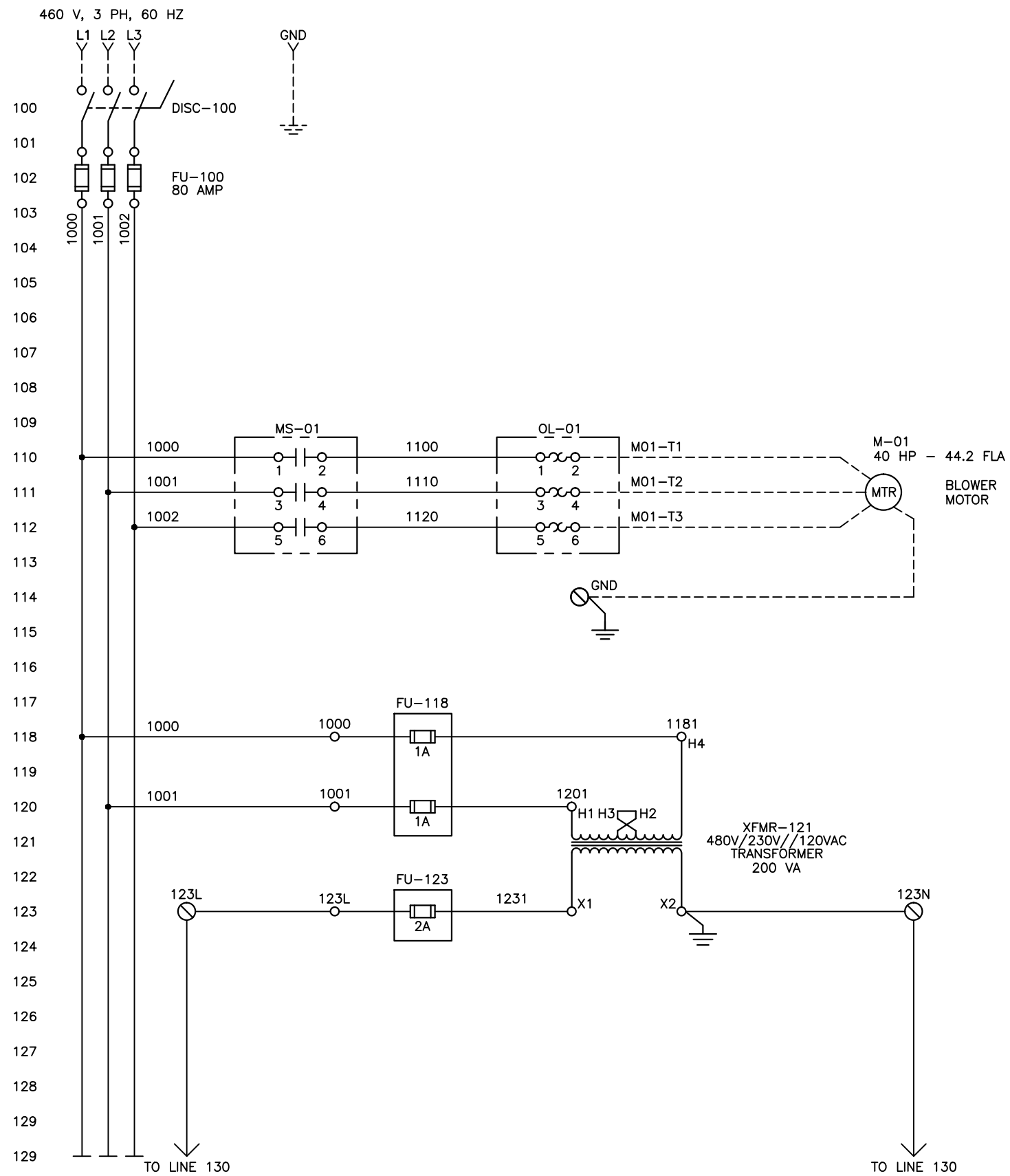
REV	REV BY	REV DATE	CHK BY	CHK DATE	DESCRIPTION
-	-	-	-	-	-

Twin City
Fans & Blowers

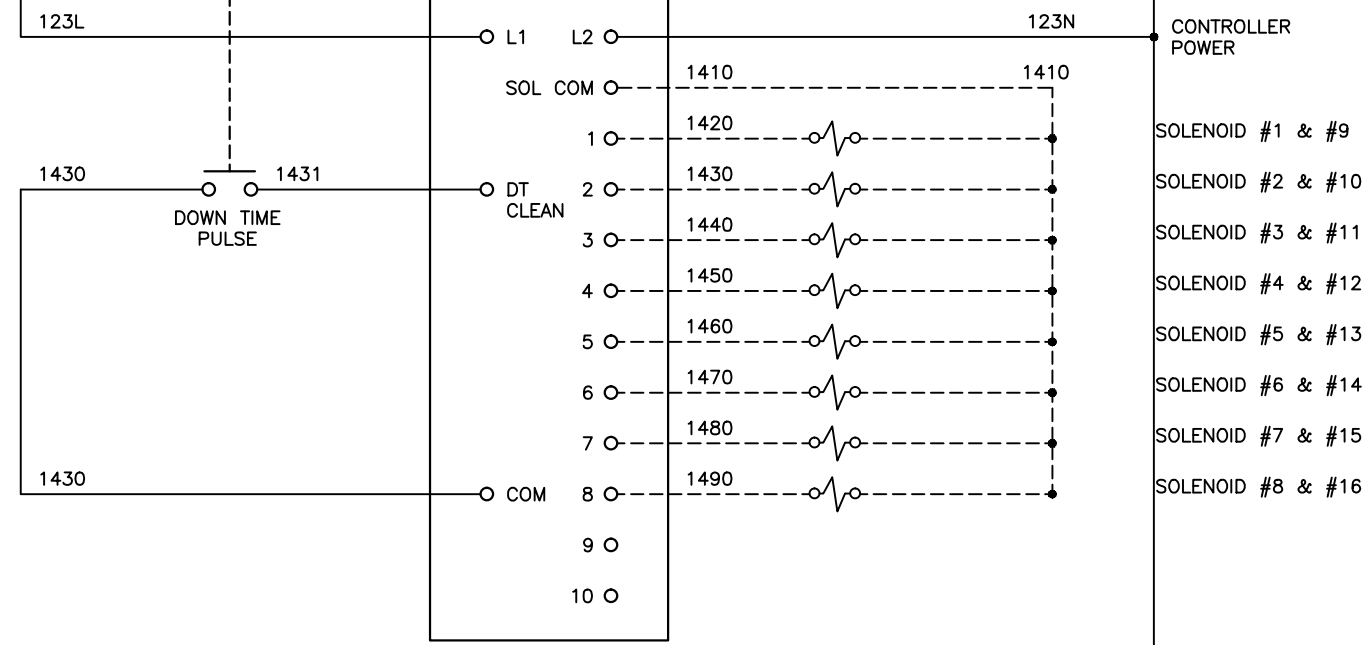
5959 Trenton Lane N | Minneapolis, MN 55442
ISO-9001:2008 Registered

TITLE
 SIZE 330, TYPE BCS, CL 17, CW RDT, UBD DISCH
 ARR-4, NON-RDT (75% WID.)

DRAWING NO.	ROW	ITEM	SHEET	REV.
BC 516982	003	00	1 OF 1	



DCT1000
DUST COLLECTOR TIMER CONTROLLER



NOTE: WIRE THE NUMBER OF SOLENOID PER PROVIDED UNIT.
SHOWN WITH THE MAXIMUM NUMBER OF SOLENOID WIRED.

THIS DRAWING IS CONFIDENTIAL PROPERTY OF ENGINEERING FIRM DO NOT DUPLICATE IN ANY TYPE WITHOUT PROPER WRITTEN PERMISSION. IF YOU ARE NOT THE INTENDED CLIENT PLEASE DESTROY THIS DOCUMENT.			DUST COLLECTOR BLOWER PACKAGE 480VAC, 3 PHASE - 40 HP WITH DUST COLLECTOR TIMER CONTROLLER		
REV.	DESCRIPTION	DATE	FILE PATH: C:/Clients/	CLIENT	PLOT DATE: 01/01/04
1	CREATED	7/28/08		AIR CLEANING TECH, INC.	DRAWING NUMBER
			DRAWN BY: ECS	DATE: 7/28/08	50 HP
			CHECKED BY: ECS	DATE: 7/28/08	100
			DRAWING SCALE: NONE	PROJECT NUMBER	