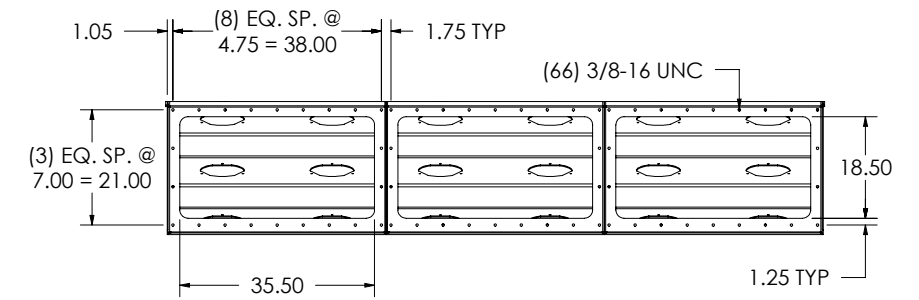
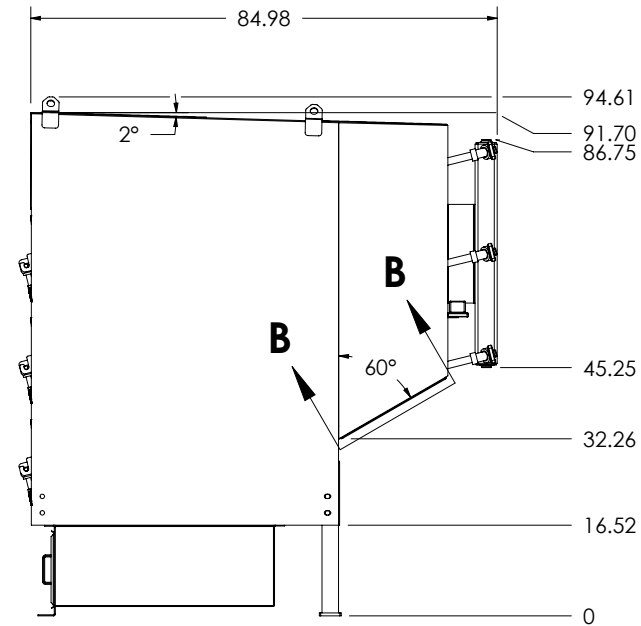
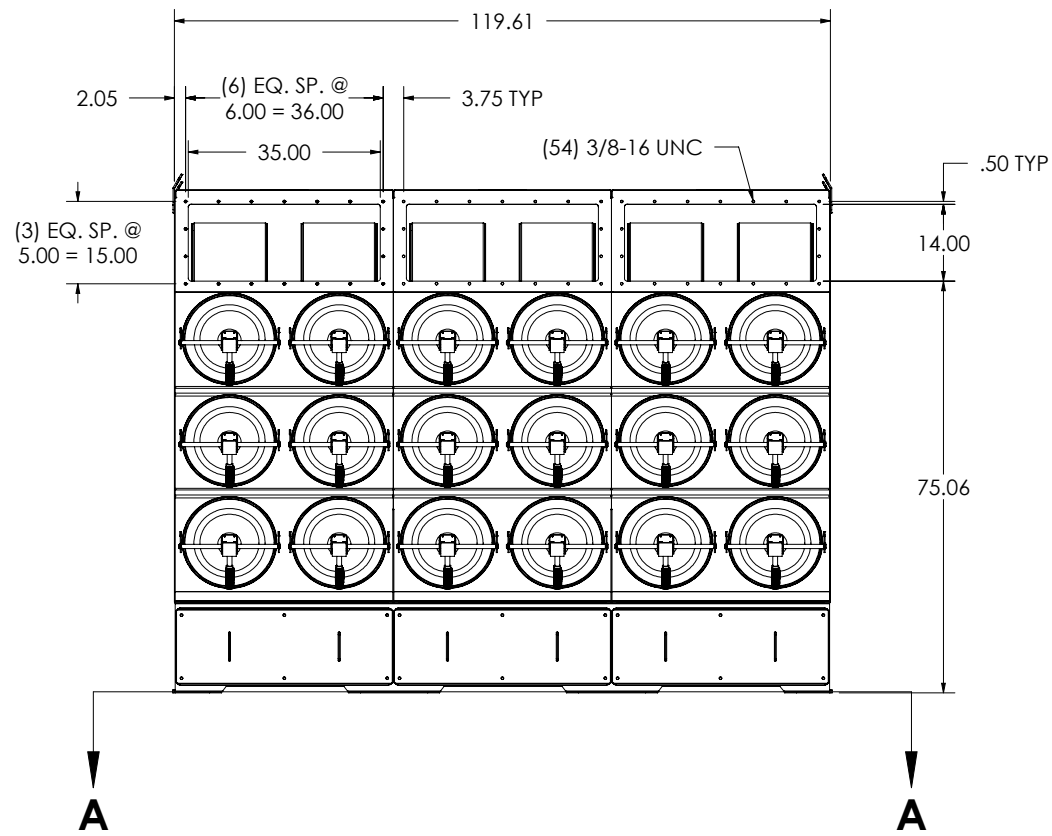


**SECTION A-A**



**SECTION B-B**


TCBI FAN SIZE	A	B
3	14.00	15.81
5-10	16.00	17.50
15-20	20.00	21.50
25-30	22.00	23.50



**ACCESSORIES:**

1. FAN BLOWER: (2) TCF TCBI 30
2. (2) FAN OUTLET BUILT-IN DAMPERS
3. (2) FAN OUTLET SILENCER
4. ALL-IN-ONE CONTROLS (30HP/460V)

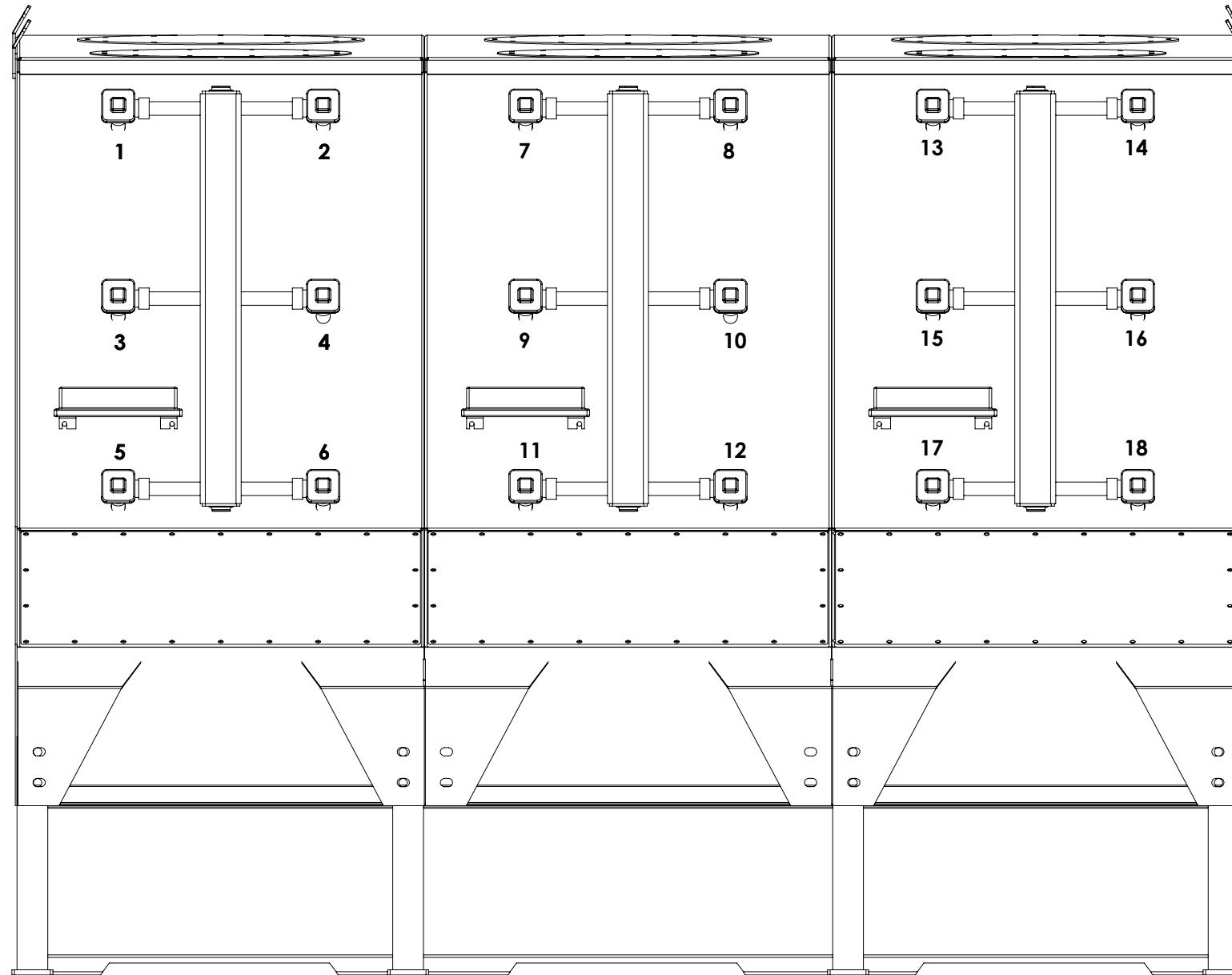
REV	ECN	DATE	BY	CHK	DESCRIPTION
-	-	-	-	-	-



**avani**  
environmental®


95 Cypress Dr.  
Youngsville, NC 27597  
Phone: 919-570-2862  
www.avanienvironmental.com

DRAWN BY JX	DATE 9/16/14	CHKD BY -	DATE -	SHOP NO. 15671-001	SCALE 1:35
TITLE SDC-AT-3-36DD			DRAWING NO. BC 500442		
SHEET 1 OF 1	ITEM -	REV. -			

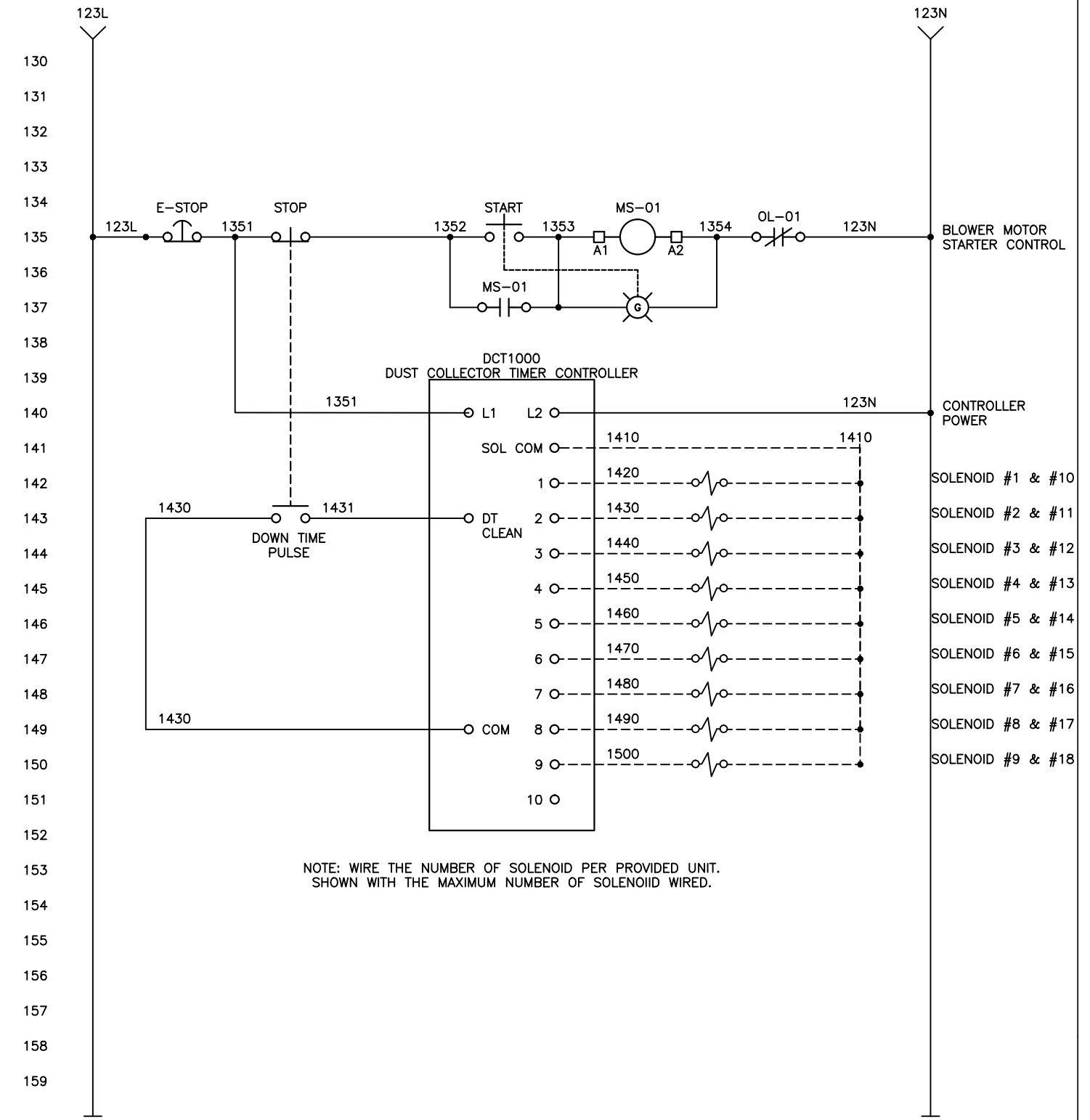
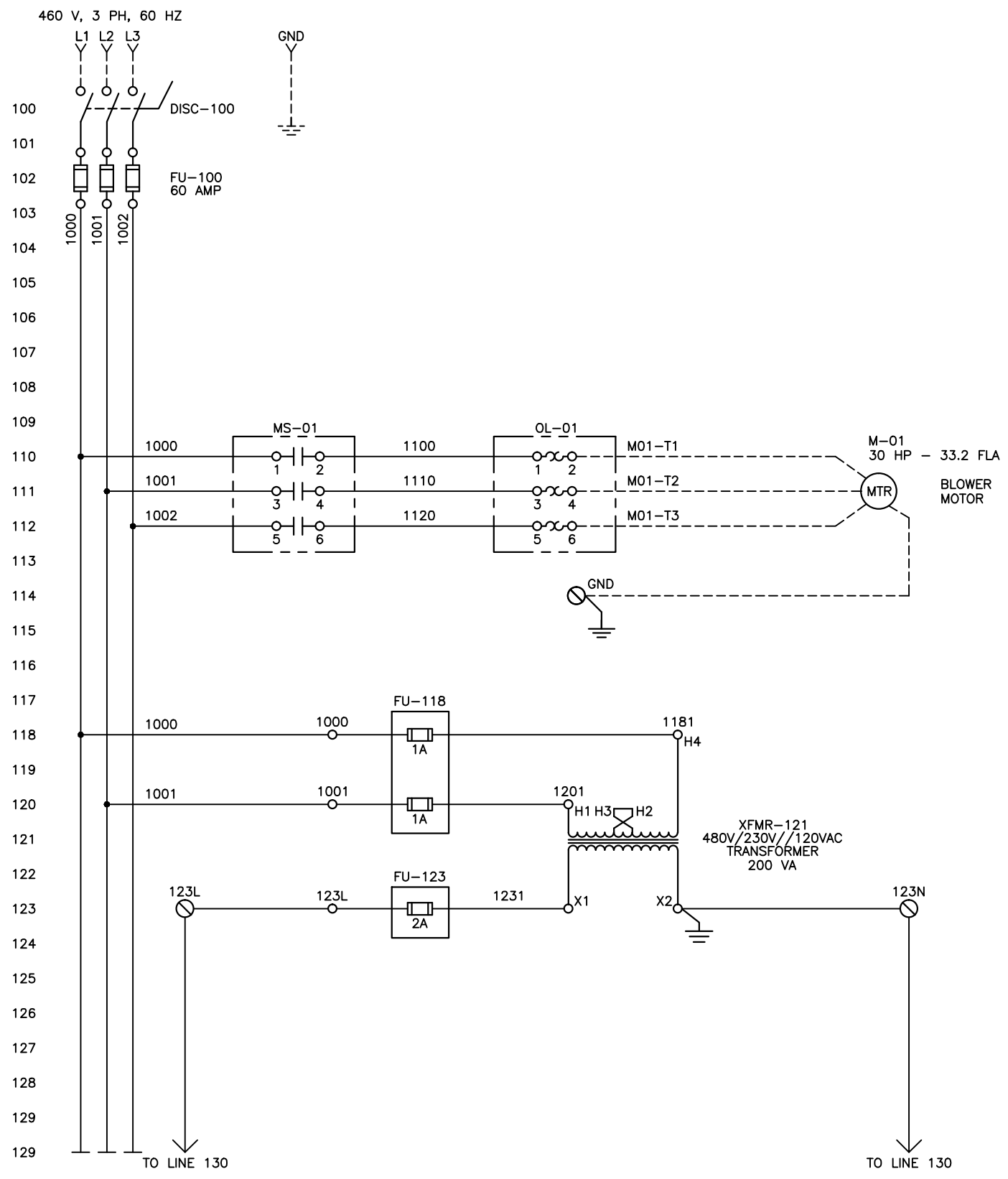


REV	ECN	DATE	BY	CHK	DESCRIPTION
-	-	-	-	-	-

	<b>95 Cypress Dr.</b> <b>Youngsville, NC 27597</b> <b>Phone: 919-570-2862</b> <b>www.avanienvironmental.com</b>		
	<b>TITLE</b> SDC-AT-3-36DD DIAPHRAGM VALVE LOCATIONS		
<b>DRAWING NO.</b> BC 500443	<b>SHEET</b> 1 OF 1	<b>ITEM</b> -	<b>REV.</b> -

<b>DRAWN BY</b>	JX
<b>DATE</b>	9/16/14
<b>CHKD BY</b>	-
<b>DATE</b>	-
<b>SHOP NO.</b>	15671-001
<b>SCALE</b>	1:15



THIS DRAWING IS CONFIDENTIAL PROPERTY OF ENGINEERING FIRM. DO NOT DUPLICATE IN ANY TYPE WITHOUT PROPER WRITTEN PERMISSION. IF YOU ARE NOT THE INTENDED CLIENT PLEASE DESTROY THIS DOCUMENT.			DUST COLLECTOR BLOWER PACKAGE 480VAC, 3 PHASE - 30 HP WITH DUST COLLECTOR TIMER CONTROLLER		
REV.	DESCRIPTION	DATE	FILE PATH: c:\clients\	CLIENT	PLOT DATE: 01/01/04
1	CREATED	7/28/08		AVANI ENVIRONMENTAL	DRAWING NUMBER 30 HP 100
			DRAWN BY: ECS	DATE: 7/28/08	DRAWING SCALE NONE
			CHECKED BY: ECS	DATE: 7/28/08	PROJECT NUMBER