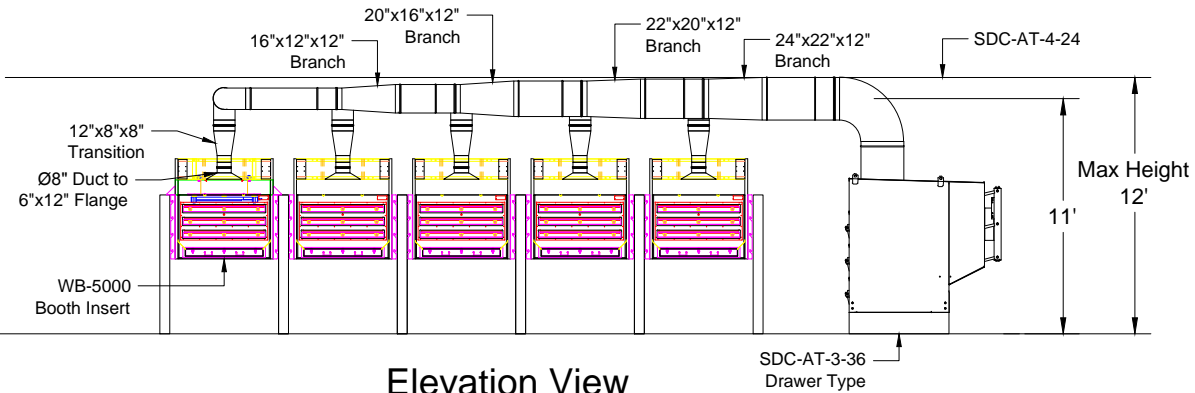
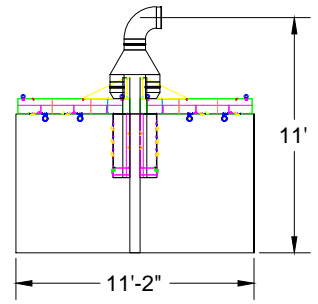


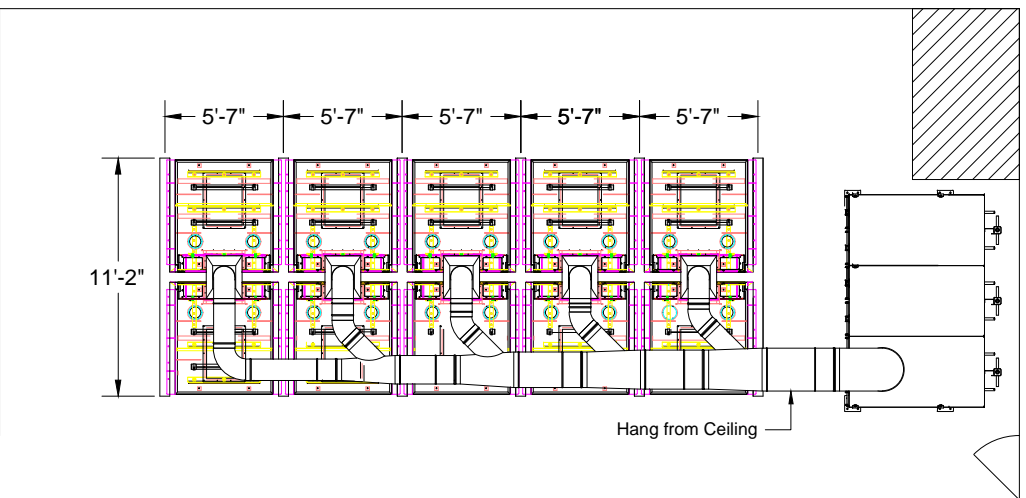
Boilermakers Local 502 Duct Layout



Elevation View



Side View



Plan View

Notes:

1. Support from ceiling via duct hangers
2. Collector to be confirmed
3. Run leads/electrical from top of hoods
4. Connect hoods using custom-fabricated upper plenum
5. Avani Environmental standard installation crew is quoted out per day based on the above drawings and approvals. Any changes, modifications, downtime, or inability to perform our work above and beyond the control of Avani Environmental will charge an additional \$1,000 per work day (5 or more hours) per crew above what was initially quoted.

Avani Environmental Intl. Inc. 95 Cypress Drive Youngsville, NC 27596 P# 919-570-2862 F# 919-570-2863		
Project: Boilermakers Puyallup Local 502		
Drawing: Duct Layout		
Date: 9/30/14	Drawn by: MDT	
Sheet No:	Rev 1	