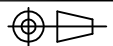


DO NOT SCALE

IF IN DOUBT ASK

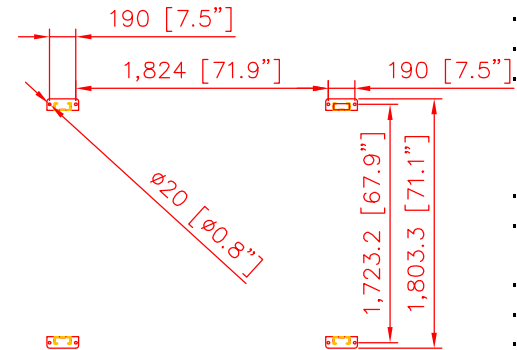
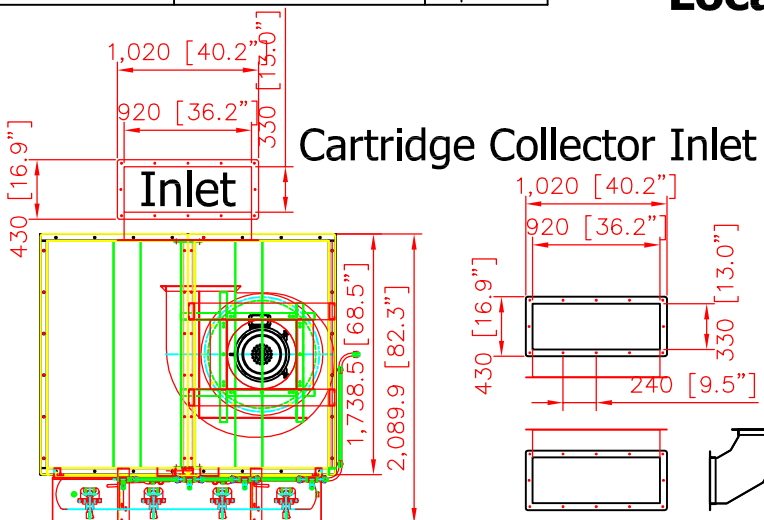


Local 37 Boilermakers,

LA 70460

po# 3662

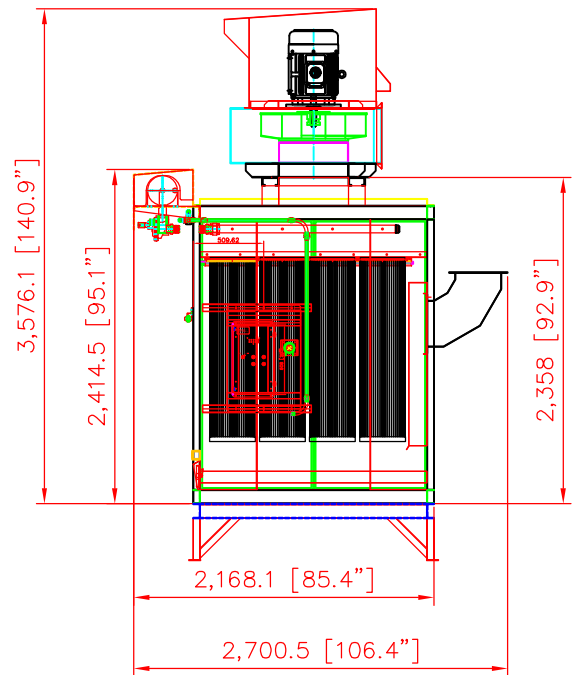
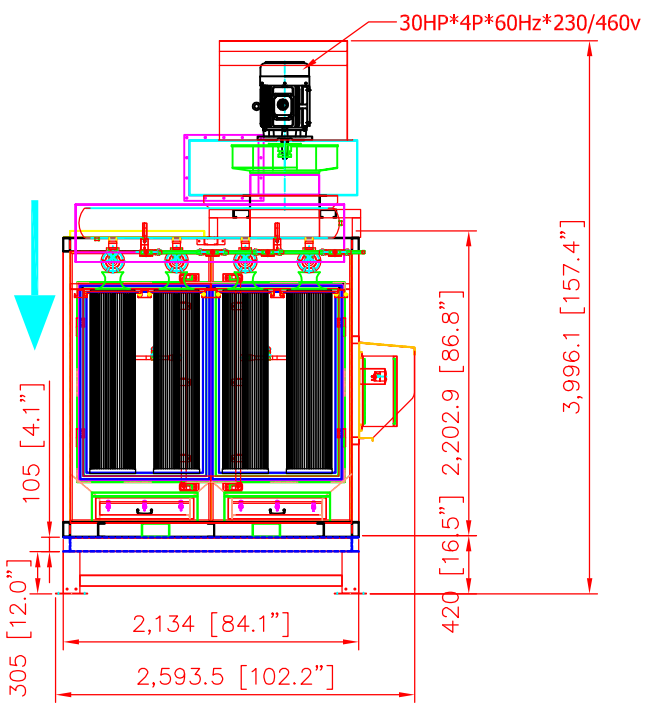
Revisions			
Rev	Description	Date	Approved



PLAN DETAIL

- SDC-30-16MDF SPECIFICATION -

- Direct Drive Blower (on the machine top)
- Motor: 30HP x 1 pc (460V / 60Hz / 3Ph)
- CFM: 13,000 ft³/min @ 8" SP
- Include:
 - UL Individual Control Boxes for Cartridge Collector and Blowers
- Inlet: 920 x 330 mm (36.2" x 13")
- Cartridge Filter: Dia. 325mm x 1320mm x 16pcs (Dia. 12.8" x 52" x 16pcs)
- Material: Polyester with TEFLON coating.
- Filter Area: 19m² x 16 = 304m² (3271.04 ft²)
- Pleat Depth: 48mm
- Horizontal Positioned Filters,
- Continuous Welded Seams,
- Gasket and Latched Doors,
- Powder Coated Paint and
- Reverse Jet Pulse Cleaning
- Include:
 - Filter Chamber
 - Inlet Square Pipe (need dimensions)
 - Fan/motor combinations
- No. of Valves: 4
- Inlet Air: 4"
- Compressed Air Requirement: 90 PSI
- Compressed Air Reservoir: 15.8 gallon
- Dimension: 102.2" x 106.4" x 157.4" (2593.5 x 2700.5 x 3996.1mm)
- Construction: 13 Gauge for panel; 11 Gauge Steel Cabinet
- Max. Operating Temp.: 120°C
- ***Custom Paint Color: Red RAL# 3001 - incl. fan and collector (customer to confirm a metal paint sample to match).
- ***with Feet underneath the machine.
- ***pulse control box run off of 120V, 1-phase, no transformer inside pulse box.



AVANI ENVIRONMENTAL INTL. INC. Sales Department
 95 Cypress Drive (919) 570-2862
 Youngsville, NC 27596 info@avanienvironmental.com

Drawn by:	Date	Name	Part Number:	Title:	
Checked by:	2011-10-12	***	SDC-30-16MDF	Local 37 / Boilermakers Cartridge Collector (drawer type) w Feet	
The drawings, AutoCAD, 3-D Models, and specifications are the property of Avani Environmental Intl. Inc. (AE) and may not be reproduced, distributed, modified, or otherwise used, except provided herein, without the express written permission of AE.			Size	Scale	Drawing Number:
			A	1 = 1	SVL-1600-02