

DO NOT SCALE

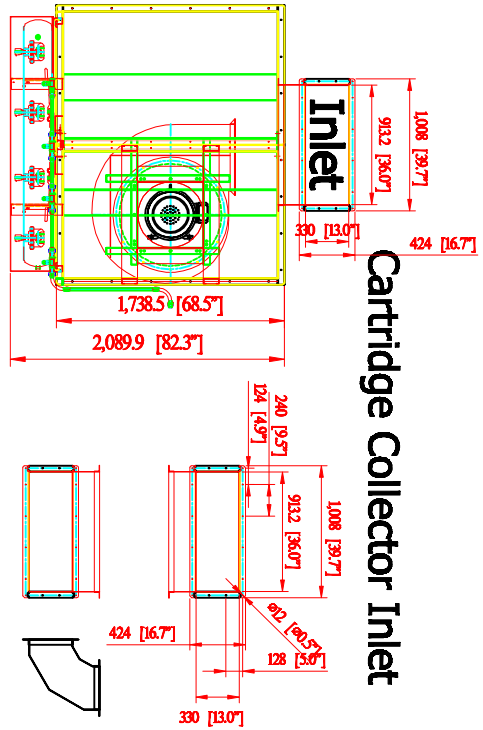
IF IN DOUBT ASK



Local 37 Boilermakers,

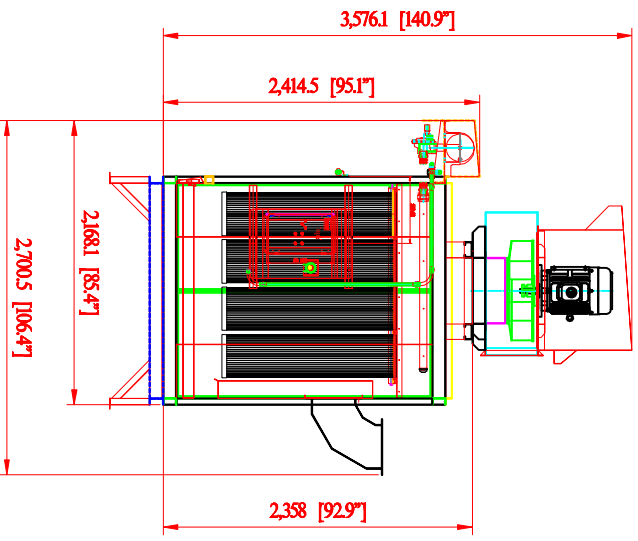
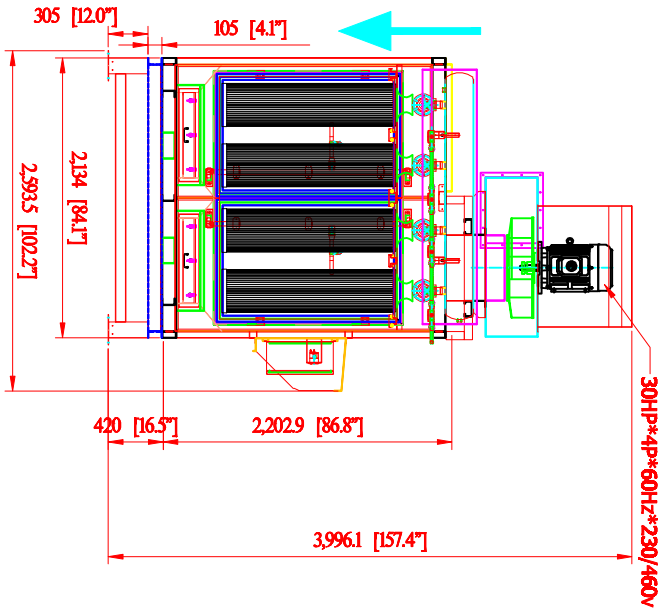
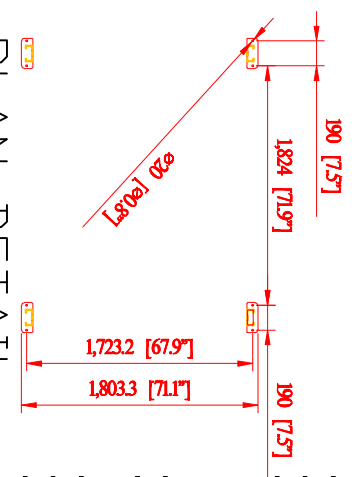
Rev	Description	Revisions	Date	Approved

Cartridge Collector Inlet



LA 70460
po# 3662

PLAN DETAIL



- SDC-30-16MDF SPECIFICATION -

Direct Drive Blower (on the machine top)
 Motor: 30HP x 1 pc (460V / 60Hz / 3ph)
 CFM: 13,000 ft³/min @ 8" SP
 Include:
 - UL Individual Control Boxes for Cartridge Collector and Blowers

Inlet: 913.2 x 330 mm (36" x 13")
 Cartridge Filter: Dia. 325mm x 1320mm x 16pcs (Dia. 12.8" x 52" x 16pcs)
 Material: Polyester with TEFLON coating.
 Filter Area: 19m² x 16 = 304m² (3271.04 ft²)
 Pleat Depth: 48mm

Horizontal Positioned Filters,
 Continuous Welded Seams,
 Gasket and Latched Doors,
 Powder Coated Paint and
 Reverse Jet Pulse Cleaning
 Include:
 - Filter Chamber
 - Inlet Square Pipe (need dimenstons)
 - Fan/motor combinations
 No. of Valves: 4

Inlet Air: 7"
 Compressed Air Requirement: 90 PSI
 Compressed Air Reservoir: 15.8 gallon
 Dimension: 102.2" x 106.4" x 157.4"
 (2593.5 x 2700.5 x 3996.1mm)
 Construction: 13 Gauge for panel;
 11 Gauge Steel Cabinet
 Max. Operating Temp.: 120°C
 ***Custom Paint Color: Red RAL# 3001 - Incl. fan and collector (customer to confirm a metal paint sample to match).

***with Feet underneath the machine.
 ***pulse control box run off of 120V, 1-phase, no transformer inside pulse box.

AVANTI ENVIRONMENTAL INTL. INC. Sales Department
 95 Cypress Drive (919) 570-2862
 Youngsville, NC 27596 info@avanenvironmental.com

Date	Name	Part Number:	Title:	Size	Scale	Drawing Number:
Drawn by: 2011-10-26	***	SDC-30-16MDF	Local 37 / Boilermakers Cartridge Collector (drawer type) w Feet	A	1 = 1	SVL-1600-02
Checked by: 2011-10-12						

The drawings, AutoCAD, 3-D Models, and specifications are the property of Avanti Environmental Intl. Inc. (A/E) and may not be reproduced, distributed, modified, or otherwise used, except provided herein, without the express written permission of A/E