

DO NOT SCALE

IF IN DOUBT ASK



Revisions		
Rev	Description	Approved

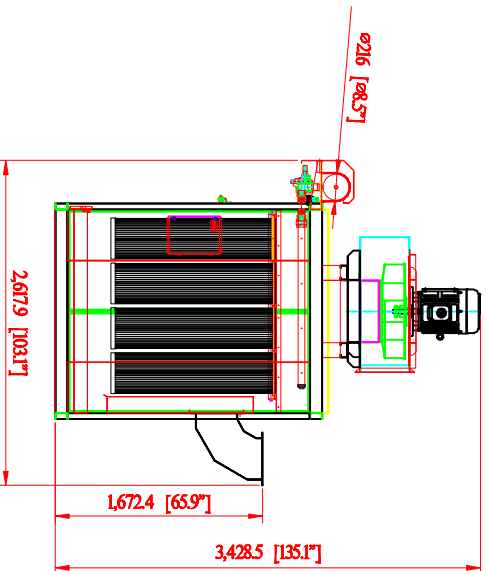
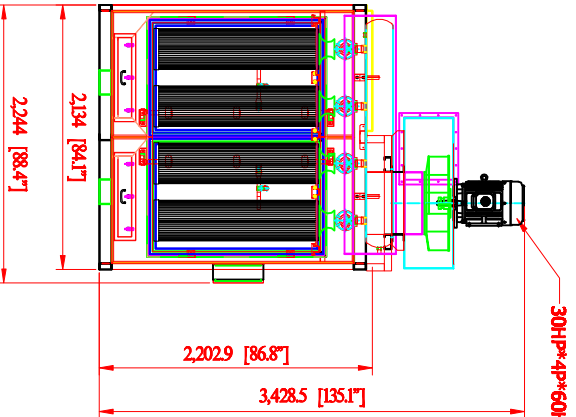
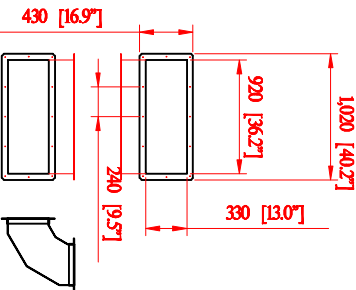
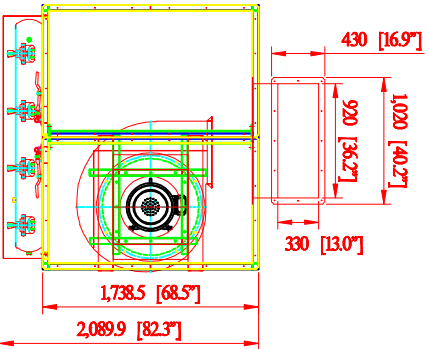
- SDC-30-16MD SPECIFICATION -

- Direct Drive Blower (on the machine top)
- Motor: 30HP x 1 pc
- CFM: 13,000 ft<sup>3</sup>/min @ 8" SP
- Include:
- UL Individual Control Boxes for Cartridge Collector and Blowers

- Inlet: 920 x 330 mm (36.2" x 13")
- Cartridge Filter: Dia. 325mm x 1320mm x 16pcs (Dia. 12.8" x 52" x 16pcs)
- Material: Polyester with TEFLON coating.
- Filter Area: 19m<sup>2</sup> x 16 = 304m<sup>2</sup> (3271.04 ft<sup>2</sup>)
- Pleat Depth: 48mm

- Horizontal Positioned Filters, Continuous Welded Seams, Gasket and Latched Doors, Powder Coated Paint and Reverse Jet Pulse Cleaning
- Include:
- Filter Chamber
- Inlet Square Pipe (need dimensions)
- Fan/motor combinations
- No. of Valves: 4

- Inlet Air: <sup>3</sup>/<sub>4</sub>"
- Compressed Air Requirement: 90 PSI
- Compressed Air Reservoir: 15.8 gallon
- Dimension: 88.4" x 103.1" x 135.1" (2244 x 2617.9 x 3428.5mm)
- Construction: 13 Gauge for panel; 11 Gauge Steel Cabinet
- Max. Operating Temp.: 120°C
- Paint Color: Blue



AVANI ENVIRONMENTAL INTL. INC. Sales Department

95 Cypress Drive

(919) 570-2862

Youngsville, NC 27596

info@avanienvironmental.com

Date	Name
2011-09-14	***
2010-09-30	

Part Number:  
**SDC-30-16MD**

Title:  
**Cartridge Collector (mezzanine drawer type)**

The drawings, AutoCAD, 3-D Models, and specifications are the property of Avani Environmental Int'l, Inc. (A/E) and may not be reproduced, distributed, modified, or otherwise used, except provided herein, without the express written permission of A/E.

Size	Scale	Drawing Number:
<b>A</b>	1 = 1	<b>SVL-1600-02</b>