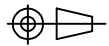


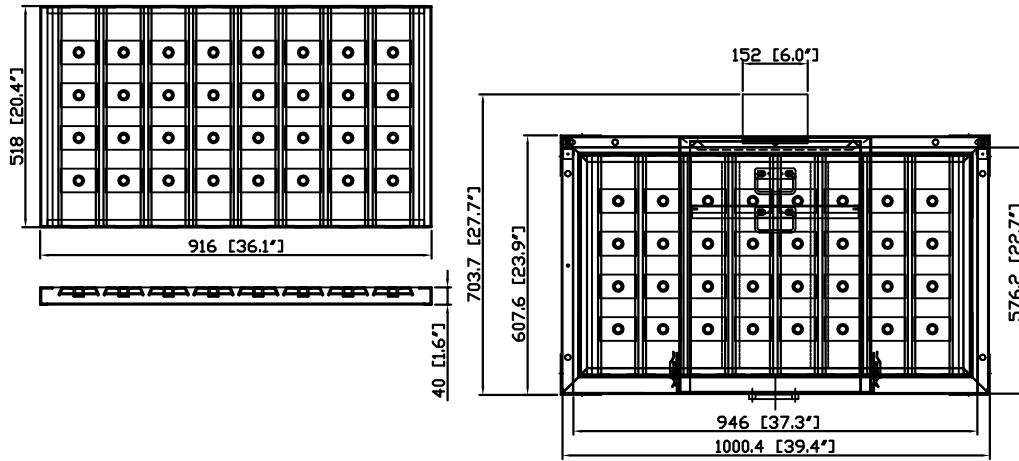
DO NOT SCALE

IF IN DOUBT ASK



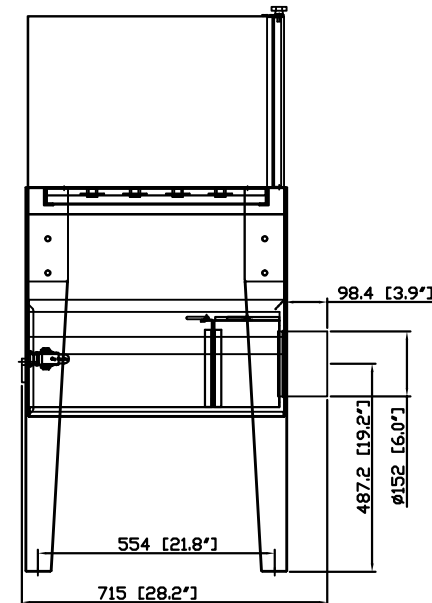
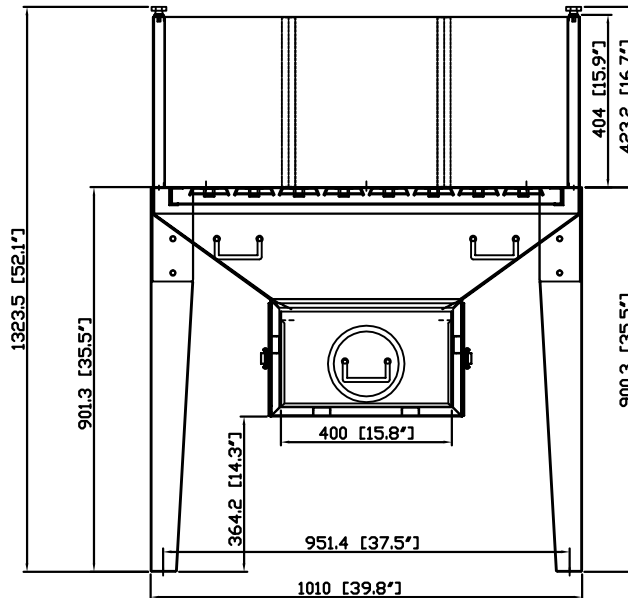
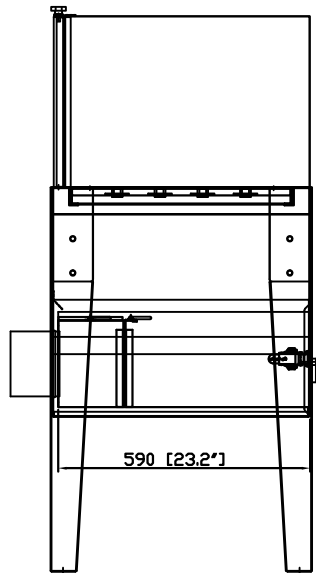
Revisions

Rev	Description	Date	Approved
-----	-------------	------	----------



- SDT-180 DOWNDRAFT TABLE SPECIFICATION -

- motor: NIL.
- dimensions: 39.8"L x 27.7"D x 52.1"H
- cabinet: 12-16 Gauge
- full grated top: 36.1"W x 20.4"D
- 3 single wall: removable sheet metal sides/back
- *** outlet: dia. 6"
- paint color: powder coated Blue
- *** grated table top with 16mm fixture holes



AVANI ENVIRONMENTAL INTL. INC. Sales Department
 95 Cypress Drive
 Youngsville, NC 27596

(919) 570-2862
 info@avanienvironmental.com

	Date	Name
Drawn by:	2011-11-16	***
Checked by:	2011-11-14	

Part Number:
SDT-180
 (customer outlet: 6")

Title:
Downdraft Table

The drawings, AutoCAD, 3-D Models, and specifications are the property of Avani Environmental Intl. Inc. (AE) and may not be reproduced, distributed, modified, or otherwise used, except provided herein, without the express written permission of AE.

Size
C

Scale
 1 = 20

Drawing Number:
A02-02-FE-180