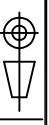
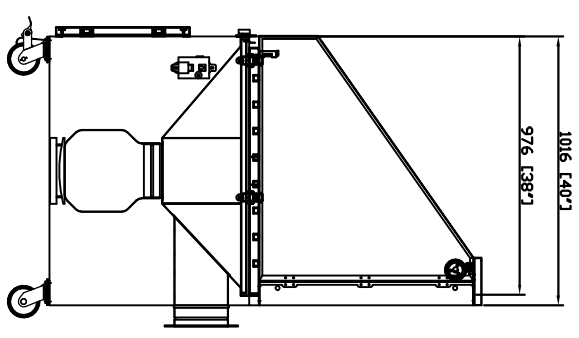
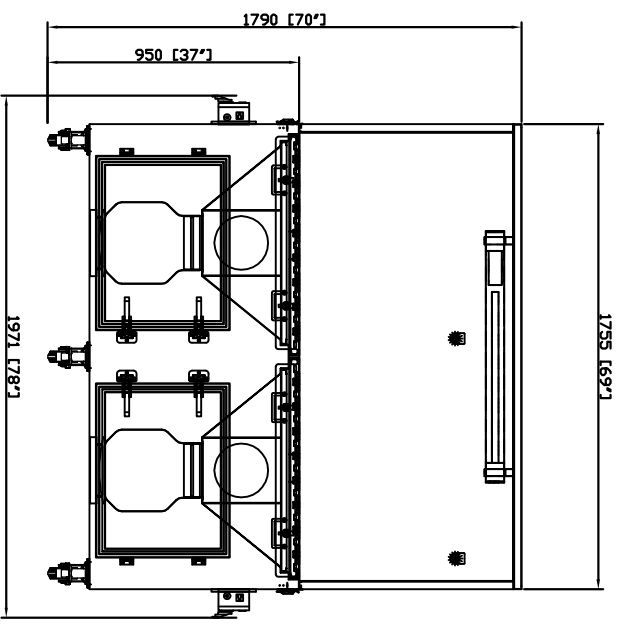
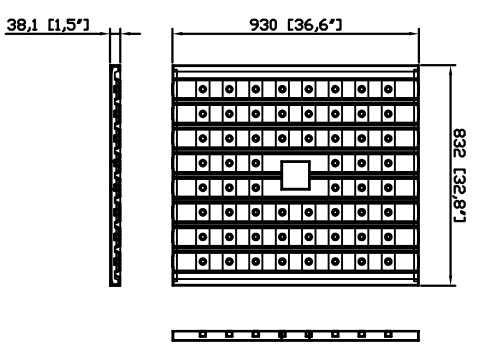
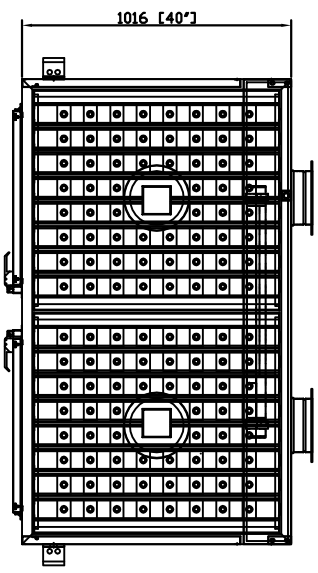


DO NOT SCALE IF IN DOUBT ASK



Revisions		
Rev	Description	Date



AVANI ENVIRONMENTAL INTL. INC. Sales Department
 95 Cypress Drive
 Youngsville, NC 27596
 (919) 570-2862
 info@avanienvironmental.com

Drawn by:	Date	Name
	2014.07.11	***
Checked by:		

Part Number:
Bloom Energy

Title:	Size	Scale	Drawing Number:
SDT-8	D	1 = 25	***

The drawings, AutoCAD, 3-D Models, and specifications are the property of Avani Environmental Intl. Inc. (AE) and may not be reproduced, distributed, modified, or otherwise used, except provided herein, without the express written permission of AE.