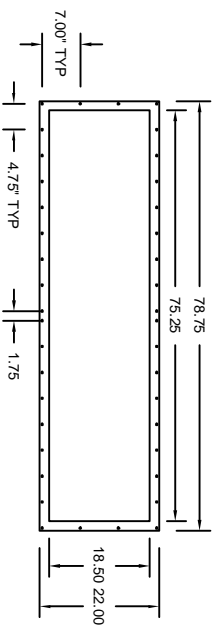
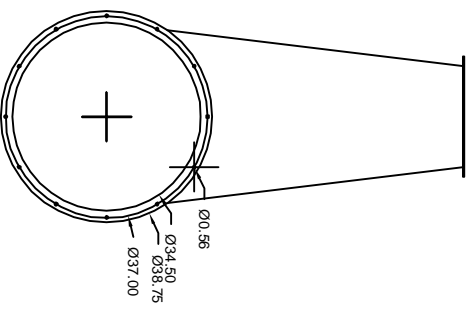


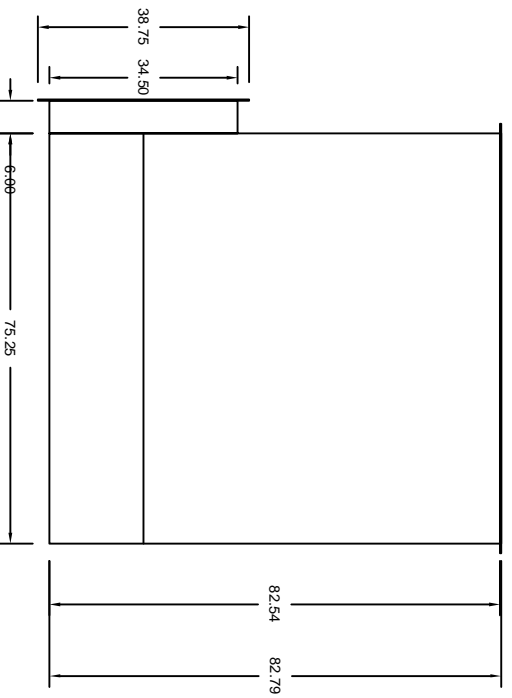
For SDC-AT-4-32 Dust Collector



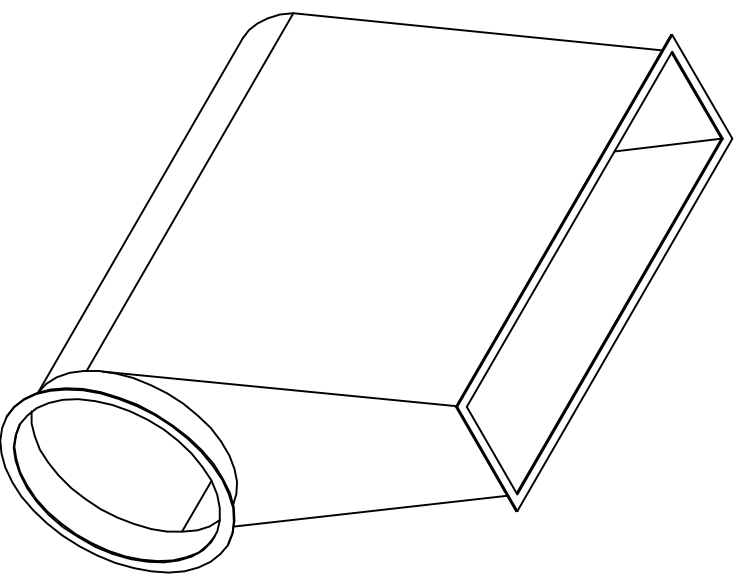
Flange



Side



Front



Isometric

Any customer requested, or called changes or deviations from the approved drawing that effect SDC-AT-4-32 requires a change order.

This product has not been tested for seismic calculations.

Avani Environmental Int. Inc.	
95 Cypress Drive	
Youngsville, NC 27596	
P# 919-570-2862 F# 919-570-2863	
Avani	
Project: Blast & Wash Pace Ind.	
Drawing: Outlet Transition	
Date: 11/2/2015	Drawn by: HB
Sheet No:	Rev 1

This document was created with Win2PDF available at <http://www.win2pdf.com>.
The unregistered version of Win2PDF is for evaluation or non-commercial use only.
This page will not be added after purchasing Win2PDF.