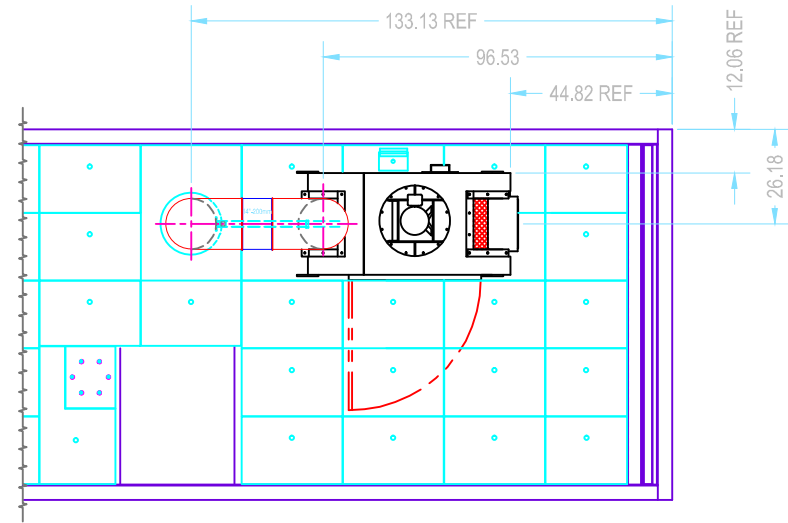
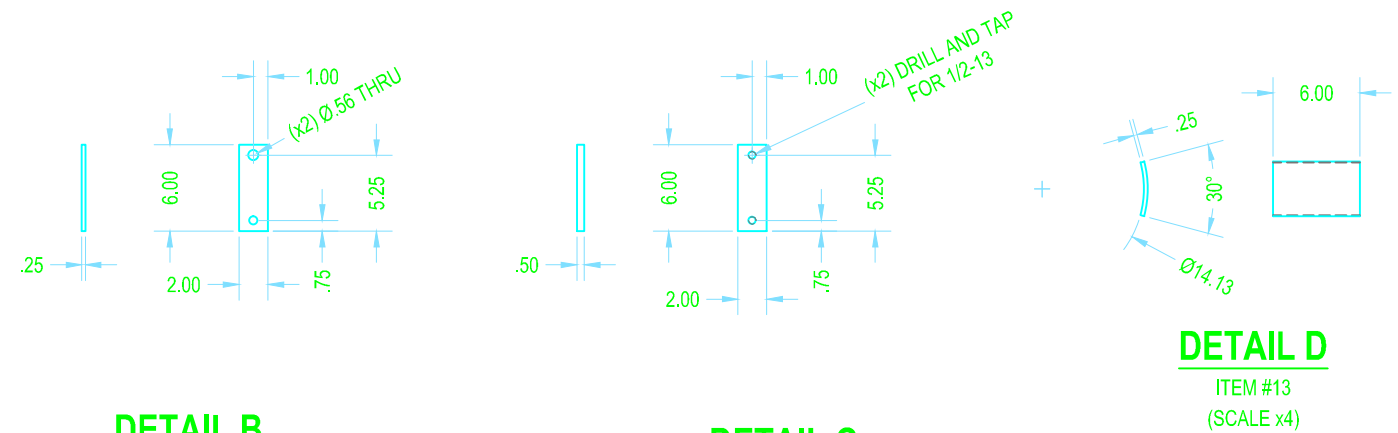
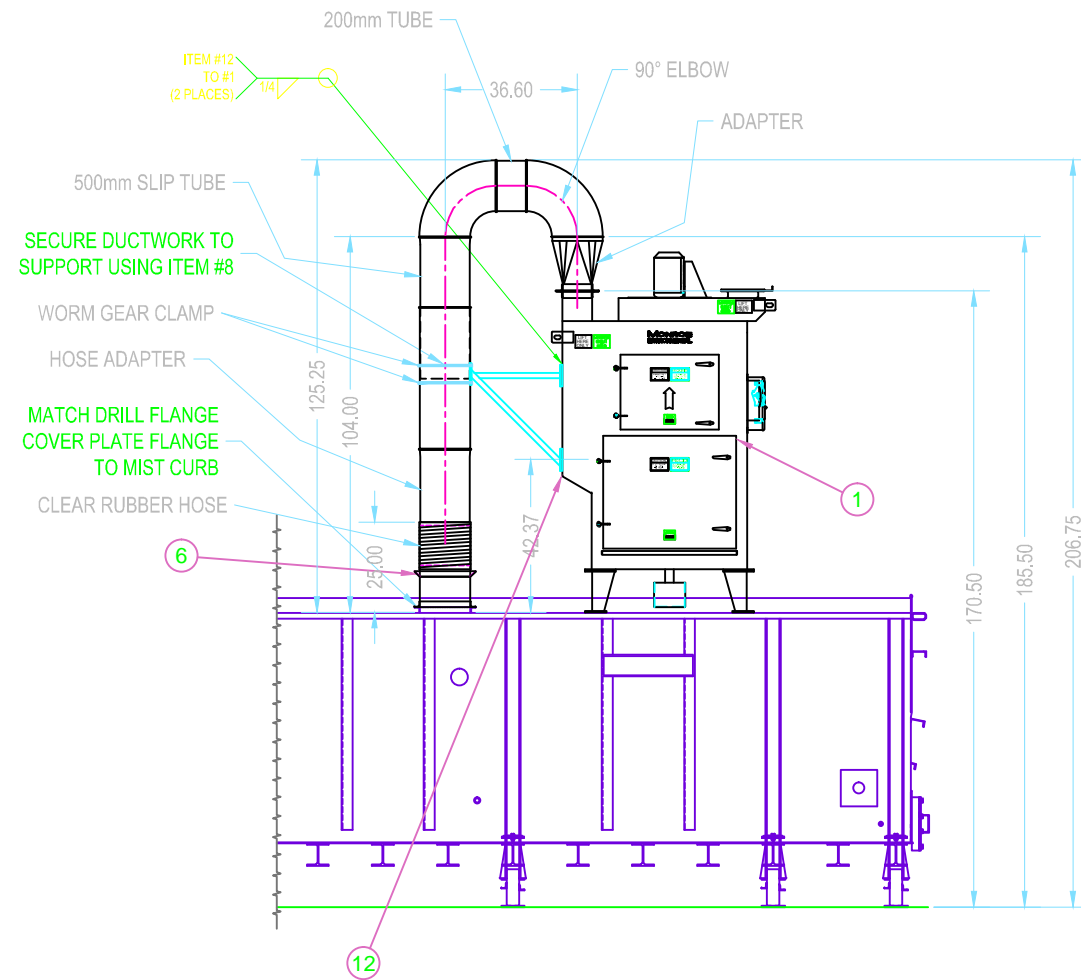
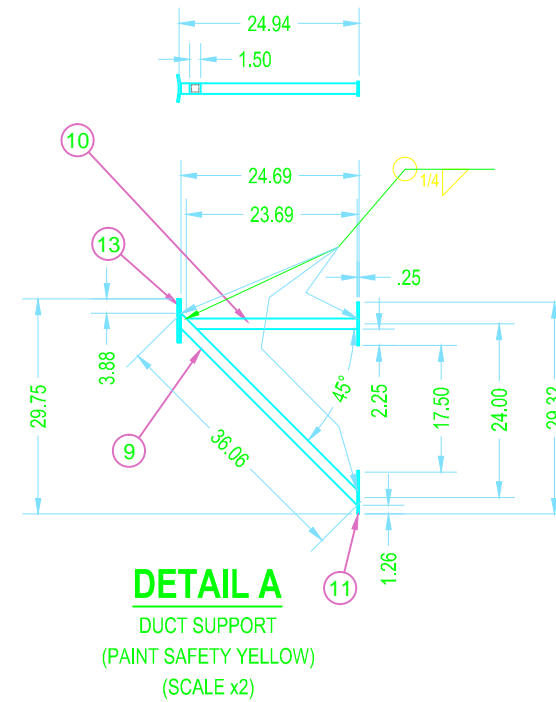


DO NOT SCALE DRAWING



BILL OF MATERIAL			
ITEM	BARNES PIN	QTY	DESCRIPTION
1	60.00511.0042	REF	MIST COLLECTOR, 2000cfm
2	79.80095.1013	1	V1000 MIST COLLECTION DUCT
3	-	-	-
4	-	-	-
5	-	-	-
6	79.80095.0091	1	CURB, OIL MIST, Ø14" DUCT
7	-	-	-
8	-	-	-
9	-	1	TUBE, .25", 1-1/2" SQ., 36.06" LG. (M.B.E.)
10	-	1	TUBE, .25", 1-1/2" SQ., 23.69" LG. (M.O.E.)
11	-	2	PLATE, .25", 6.00" x 2.00"
12	-	2	PLATE, .50", 6.00" x 2.00"
13	-	1	PLATE, .25", 6.00" x 3.83"



\*\* ALL TUBING TO BE PROVIDED BY JACOB TUBING \*\*

**LEGEND**

- SEE DRAWING BILL OF MATERIAL
- SEE REFERENCE BILL OF MATERIAL
- △ REVISIONS

REF. DRAWING				79.80095.0081				THIRD ANGLE PROJECTION				ALL RIGHTS OF THIS DRAWING ARE RESERVED. REPRODUCTIONS AND MANUFACTURING PERMITTED ONLY ON PAPER SPECIFIED OTHERWISE.			
SYM				REVISIONS				DATE				BY			
DIMENSIONAL TOLERANCES				ALL DIMENSIONS ARE				REFERENCE ONLY				TOLERANCES AS SHOWN			
SCALE				1: 24				DESIGN				BML			
DRAFT				DEL				DATE				10/15/14			
CHECKED				BML				DATE				10/15/14			
TITLE				MIST COLLECTION LAYOUT V1000				ORDER NO.				79.80095.1012			
DRAWING NO.				79.80095.1012				REV				-			



SIZE "D" CAD DRAWING

CUSTOMER