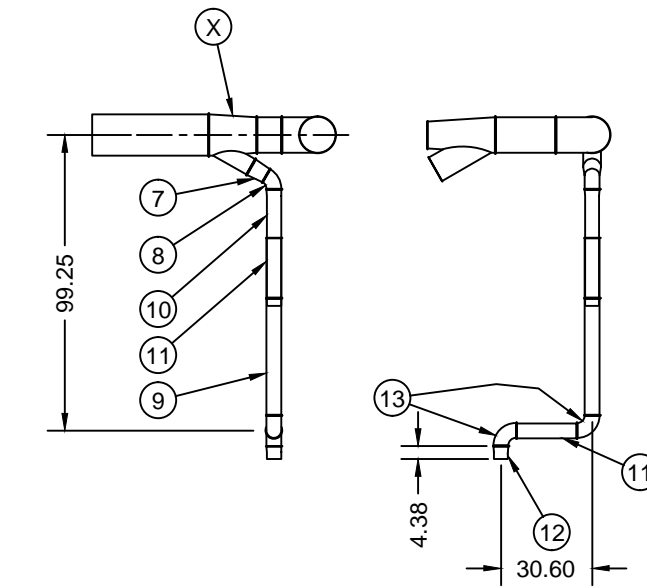
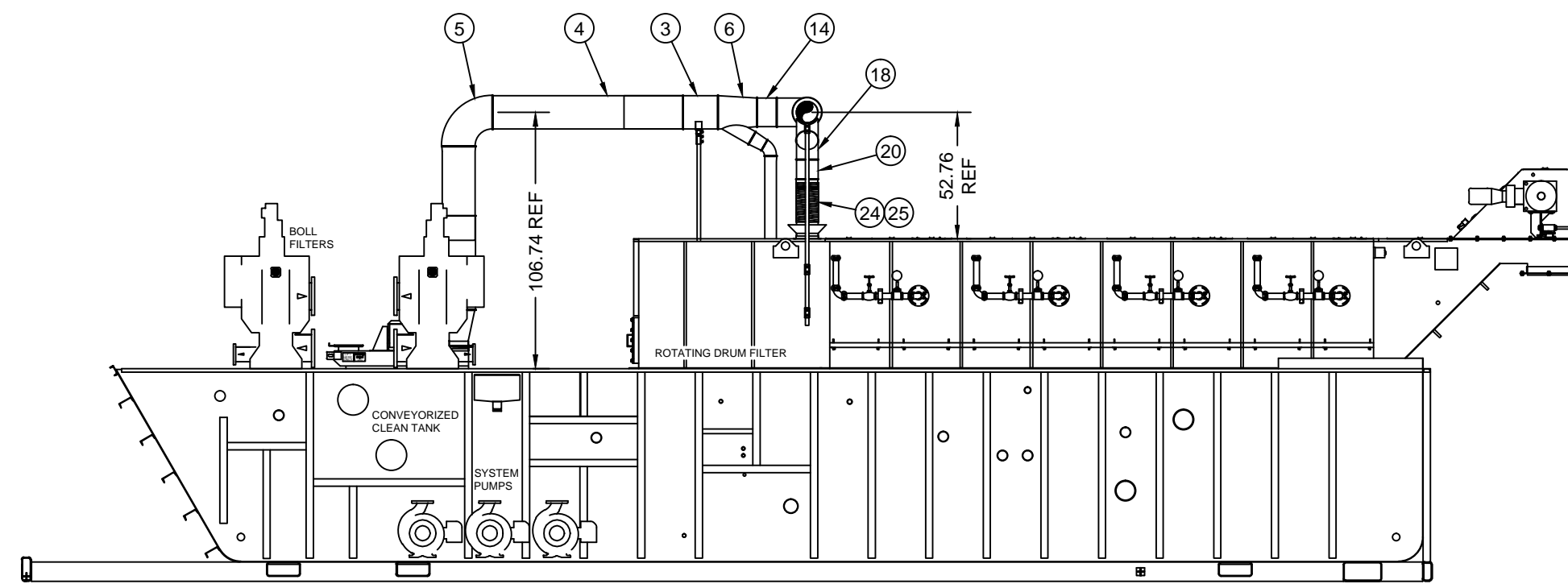


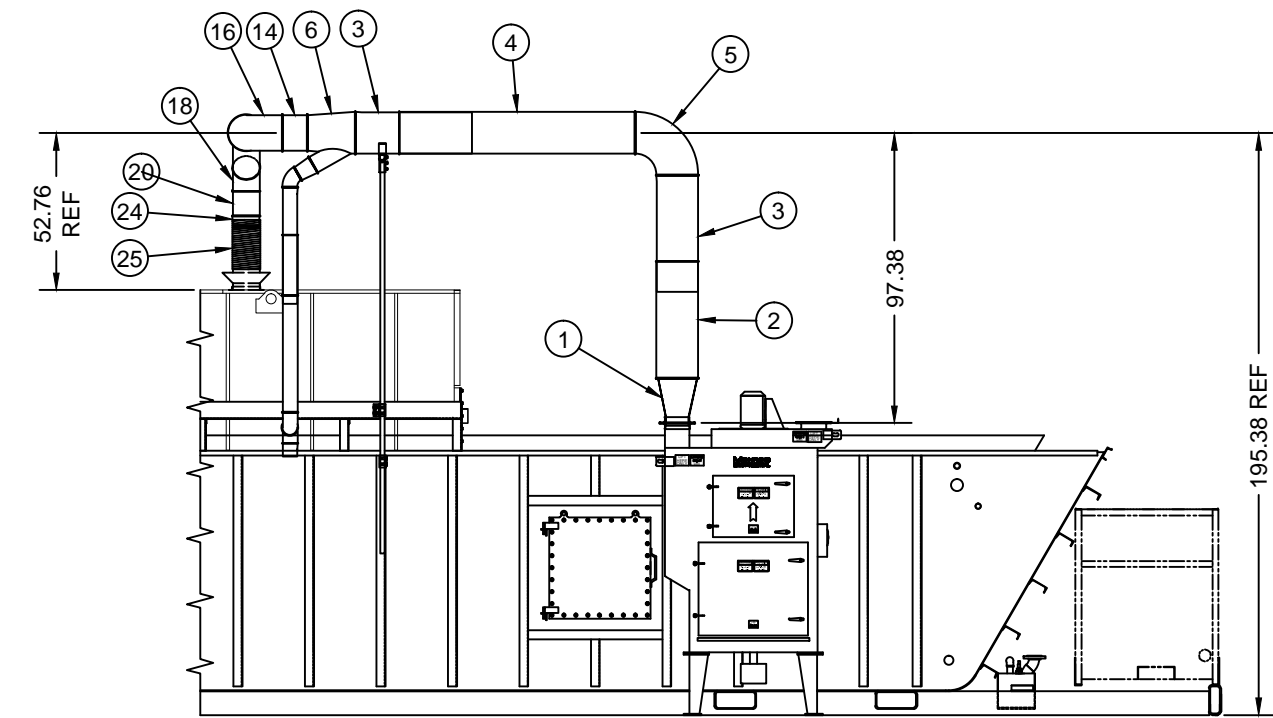
**PLAN VIEW**



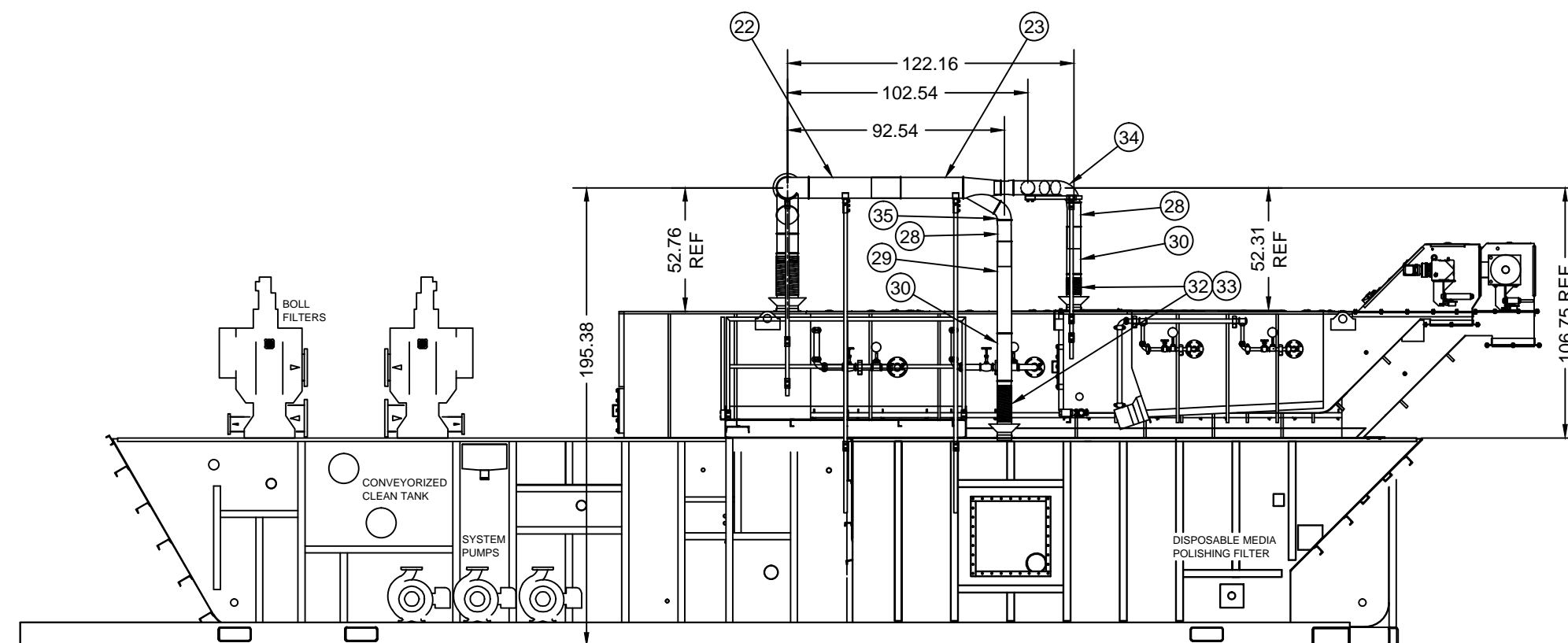
**SECTION C-C**  
CLEAN TANK DROP



**SECTION A-A**



**SECTION D-D**



**SECTION B-B**

**LEGEND**

- SEE DRAWING BILL OF MATERIAL
- ◊ SEE REFERENCE BILL OF MATERIAL
- △ REVISIONS
- VACUUM INDICATORS

SYM	REVISIONS	DATE	BY
REF. DRAWING	79.80095.1005		

DIMENSIONAL TOLERANCES  
ALL DIMENSIONS ARE  
REFERENCE ONLY  
TOLERANCES AS SHOWN

SCALE  
1 : 32  
DESIGN  
BML  
DRAFT  
JAH  
DATE  
10/16/14  
CHECKED



TITLE  
G2500  
MIST COLLECTION  
DUCTING LAYOUT  
DRAWING NO.  
79.80095.1007  
SHEET 2 OF 2  
REV