

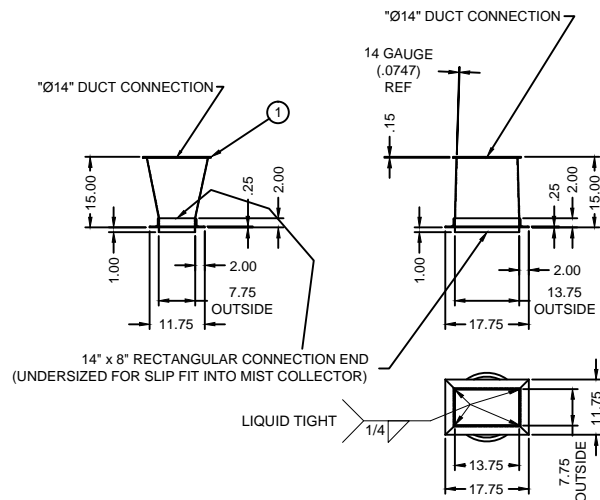
DO NOT SCALE DRAWING

2500 GPM MIST COLLECTION SYSTEM

ITEM #	DUCT PART	QUANTITY
1	ADAPTOR, 8" x 14" TO Ø14"	1
2	14" 1000mm LG TUBE	1
3	14" 1000mm LG SLIP TUBE	2
4	14" 2000mm LG TUBE	1
5	14" ELBOW 90°	1
6	14 x 12 x 6 CONICAL LATERAL	1
7	5 x 6" CONE ADAPTER	1
8	5" ELBOW 60°	1
9	5" 1000mm LG TUBE	1
10	5" 1000mm LG SLIP TUBE	1
11	5" 500mm LG TUBE	2
12	5" 200mm LG SLIP TUBE	1
13	5" ELBOW 90°	2
14	12" 200mm LG TUBE	1
15	12" 500mm LG TUBE	1
16	12" ELBOW 90°	1
17	12 x 9 x 9 CONICAL LATERAL	1
18	9" ELBOW 60°	1
19	9" ELBOW 90°	1
20	9" 200mm LG TUBE	2
21	9" 2000mm LG TUBE	1
22	9" 1000mm LG TUBE	2
23	9" 1000mm LG SLIP TUBE	2
24	9" HOSE CONNECTION	1
25	9" FLEX HOSE, CLEAR, 36" LG	1
26	9 x 6 x 6 CONICAL LATERAL	1
27	6" 200mm LG SLIP TUBE	2
28	6" 500mm LG SLIP TUBE	3
29	6" 1000mm LG TUBE	2

2500 GPM MIST COLLECTION SYSTEM cont.

ITEM #	DUCT PART	QUANTITY
30	6" 500mm LG TUBE	1
31	6" 200mm LG TUBE	1
32	6" HOSE CONNECTION	2
33	6" FLEX HOSE, CLEAR, 36" LG	2
34	6" ELBOW 90°	2
35	6" ELBOW 60°	2
36	14" QUICK CONNECT CLAMP	7
37	14" U-SHAPED GASKET	6
38	14" O-RING GASKET	4
39	12" QUICK CONNECT CLAMP	5
40	12" U-SHAPED GASKET	6
41	9" QUICK CONNECT CLAMP	13
42	9" U-SHAPED GASKET	15
43	9" O-RING GASKET	4
44	9" WORM GEAR HOSE CLAMP	2
45	6" QUICK CONNECT CLAMP	19
46	6" U-SHAPED GASKET	15
47	6" O-RING GASKET	7
48	6" HOSE CLAMP	4
49	Ø5" QUICK CONNECT CLAMP	9
50	Ø5" U-SHAPED GASKET	9
51	5" O-RING GASKET	2
52	6" CAP	1



MIST COLLECTOR TRANSITION ADAPTER DETAIL

(TO BE MADE OUT OF 14ga.)

LEGEND

- SEE DRAWING BILL OF MATERIAL
- ⊖ SEE REFERENCE BILL OF MATERIAL
- △ REVISIONS

SCALE 1:12 INCH	DESIGN BML	DATE 10/24/14	BY JAH
1 DECIMAL = ±0.00 INCH 2 DECIMAL = ±0.01 INCH 3 DECIMAL = ±0.015 INCH ALL SURFACES TO BE FREE OF BENDS TWISTS, OR WAVERE IN EXCESS OF 1/16 INCH PER 4 FEET REMOVE ALL SHARP EDGES, WELD SPATTER AND OBSTRUCTIVE WELD BEADS	15% INCH TOTAL ACCUMULATION REMOVE ALL SHARP EDGES, WELD SPATTER AND OBSTRUCTIVE WELD BEADS	DATE 10/24/14	CHECKED -
SYN	REVISIONS	DATE	BY
REF. DRAWING	79.80095.0048		

ROCKFORD, ILLINOIS 61105
(815) 964-8661

SIZE "D" CAD DRAWING

TITLE
G2500 MIST COLLECTION DUCT PARTS

ORDER NO. KM-1018-S1

DRAWING NO. 79.80095.1007

SHEET 05P 2

CUSTOMER_CM