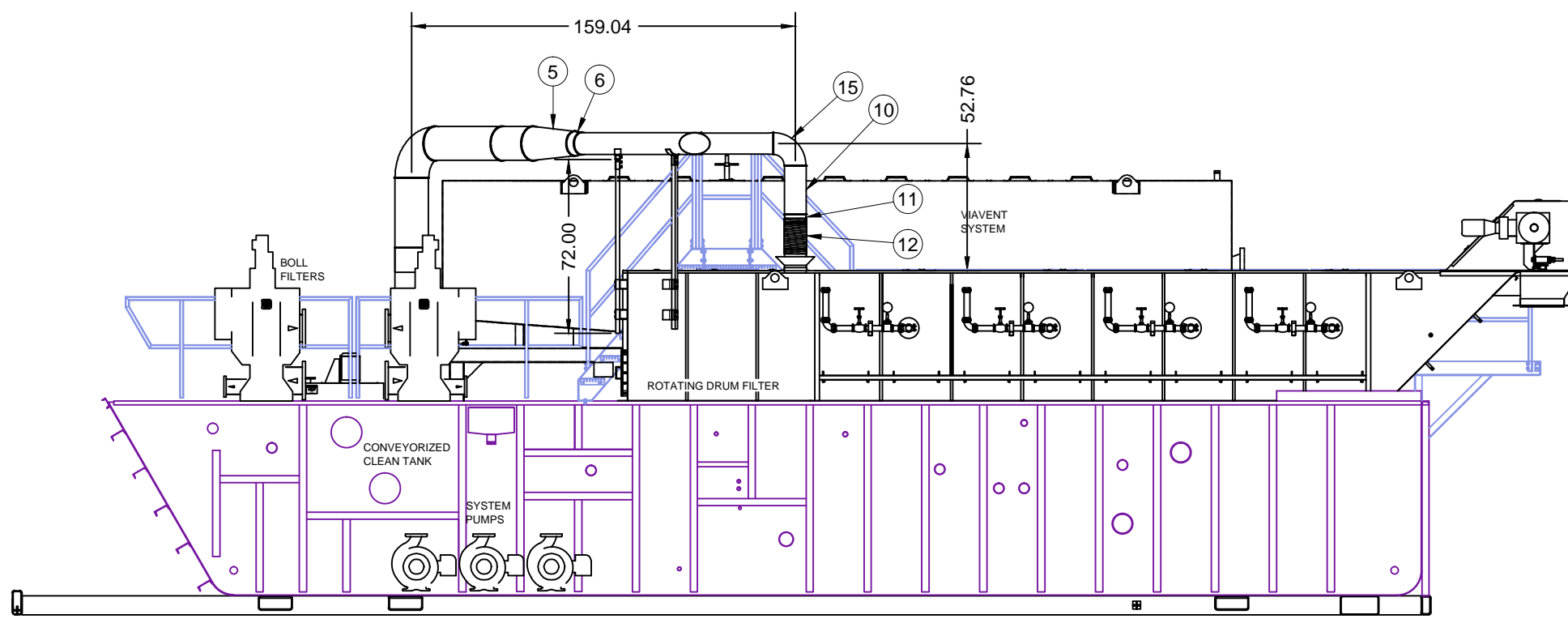
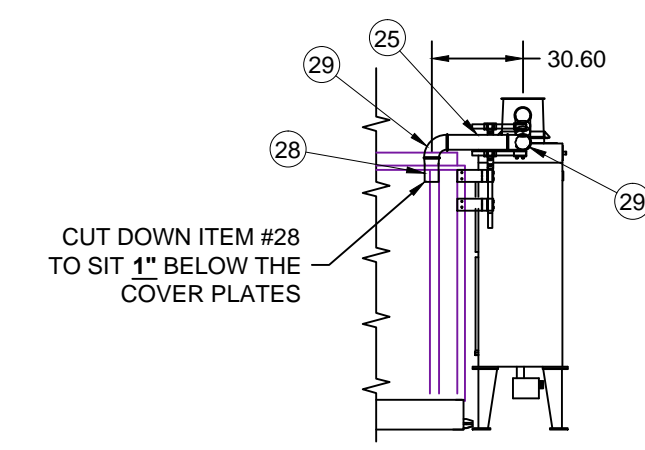


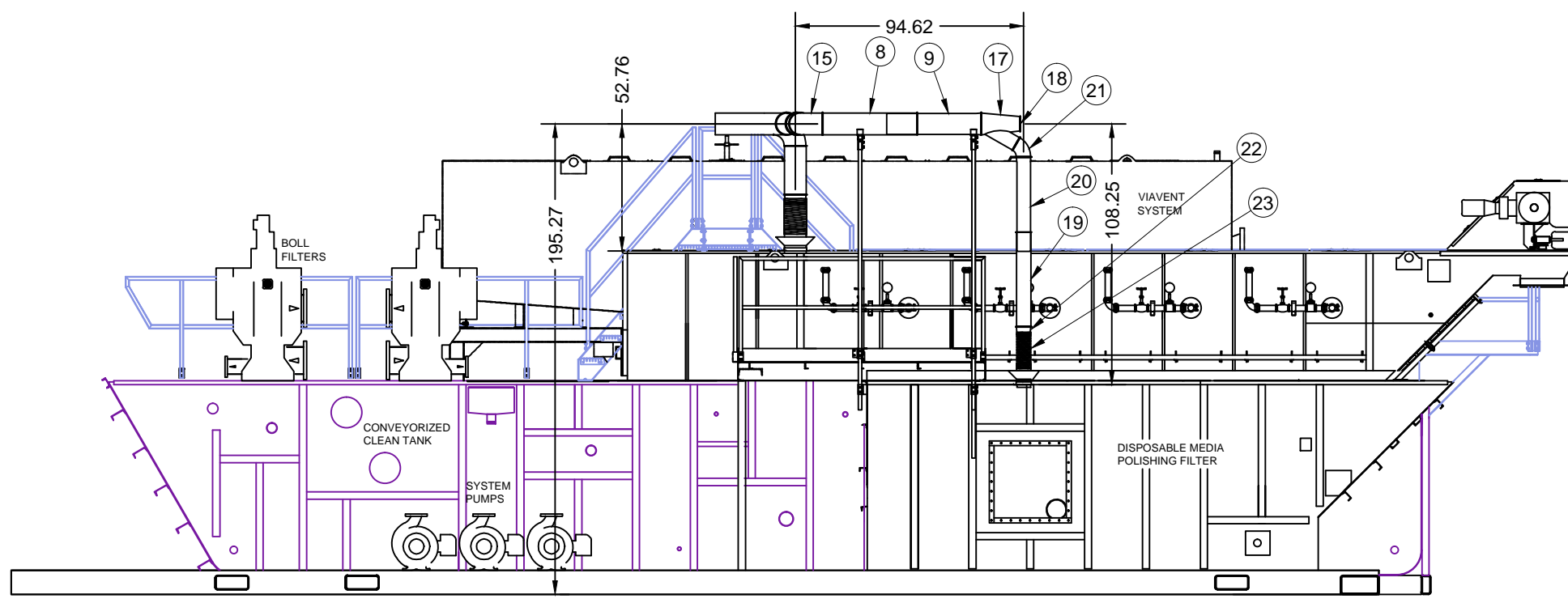
SECTION C-C
CLEAN TANK CONNECTION



SECTION A-A
RD FILTER CONNECTION



SECTION D-D
CLEAN TANK INLET
(VIEW SHOWN WITHOUT VIAVENT)



SECTION B-B
POLISH FILTER CONNECTION

LEGEND

- SEE DRAWING BILL OF MATERIAL
- ◌ SEE REFERENCE BILL OF MATERIAL
- △ REVISIONS

SYM	REVISIONS	DATE	BY
REF. DRAWING	79.80095.1006		

DIMENSIONAL TOLERANCES
ALL DIMENSIONS ARE
REFERENCE ONLY
TOLERANCES AS SHOWN

SCALE
1 : 32
DESIGN
BML
DRAFT
BML
DATE
11/10/14
CHECKED
BML

BARNES
ROCKFORD, ILLINOIS 61105
(815) 964-9961

ADVANCED FILTRATION SYSTEMS
SUPERIOR FILTRATION

TITLE
G2500 MIST COLLECTION DUCT WITH VIAVENT

ORDER NO. - SHEET 2 OF 2
DRAWING NO. 79.80095.1015 REV -