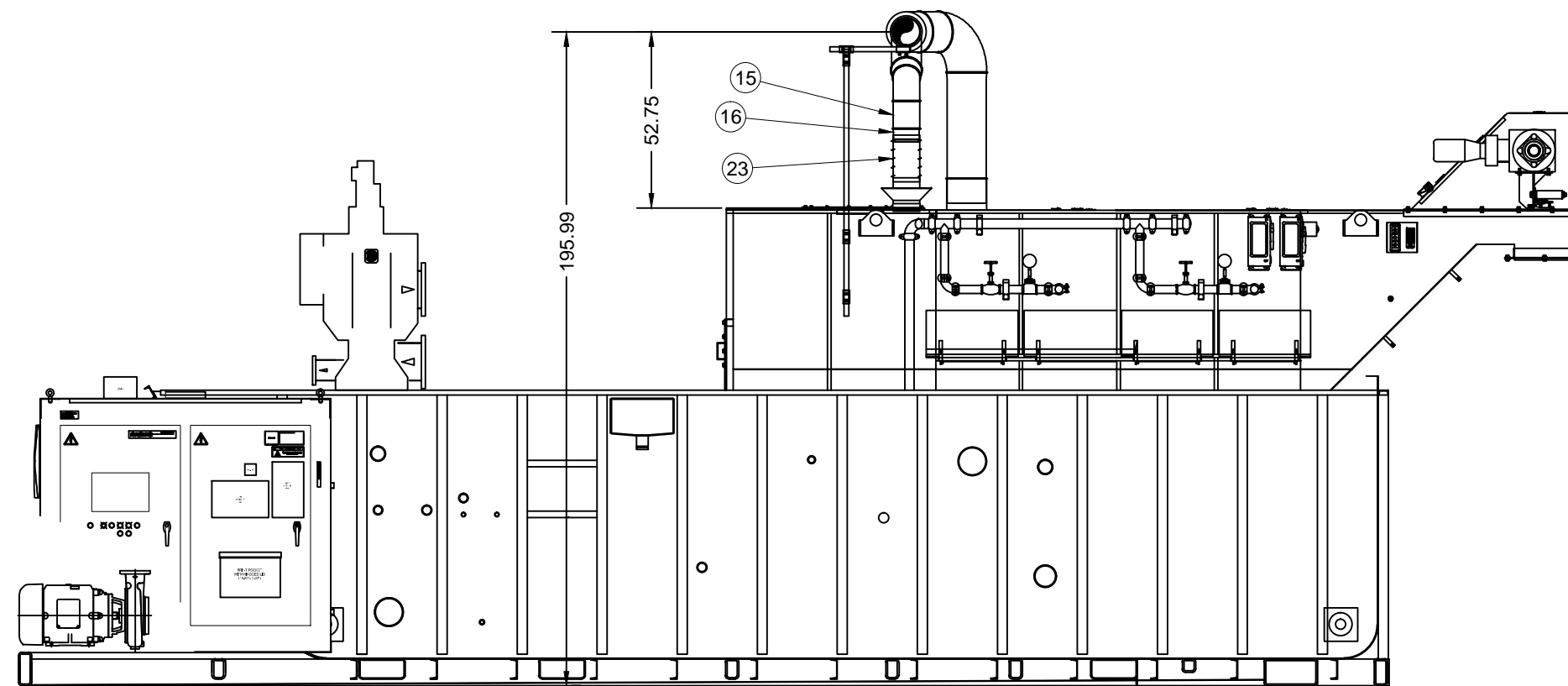
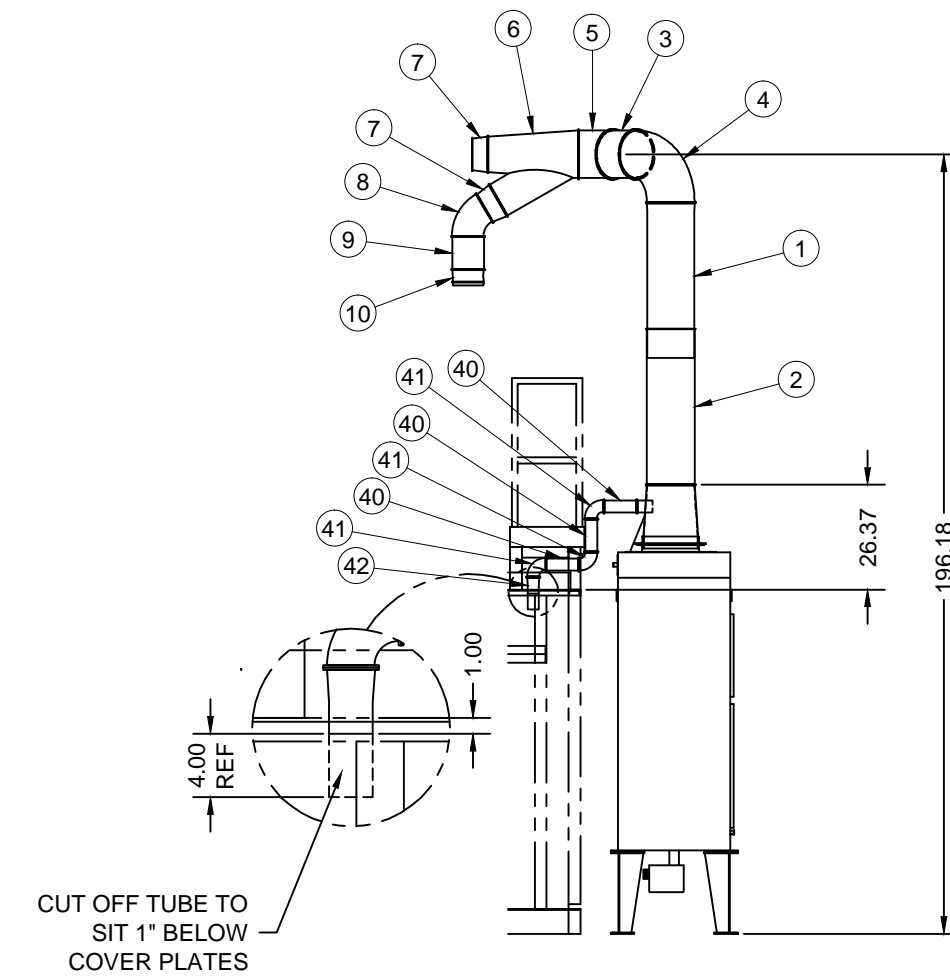


**SECTION A-A**



**SECTION B-B**

**\*\* SEE SHEET #1 FOR CHART OF VENDOR PROVIDED PARTS \*\***



**SECTION C-C**

- LEGEND**
- SEE DRAWING BILL OF MATERIAL
  - ◌ SEE REFERENCE BILL OF MATERIAL
  - △ REVISIONS

<p>REF. DRAWING</p>				<p>SYM</p>	<p>REVISIONS</p>	<p>DATE</p>	<p>BY</p>	<p>DIMENSIONAL TOLERANCES ALL DIMENSIONS ARE REFERENCE ONLY TOLERANCES AS SHOWN</p>	<p>SCALE 1 : 24</p> <p>DESIGN BML</p> <p>DRAFT BML</p> <p>DATE 11/4/14</p> <p>CHECKED BML</p>	<p><b>BARNES</b> ROCKFORD, ILLINOIS 61105 (815) 964-8861</p> <p><b>SUPERIOR FILTRATION</b></p>	<p>TITLE G1000 MIST COLLECTION DUCTING</p> <p>ORDER NO. _____ SHEET 2 OF 2</p> <p>DRAWING NO. 79.80095.1001</p> <p>REV _____</p>
---------------------	--	--	--	------------	------------------	-------------	-----------	---	---	--	--