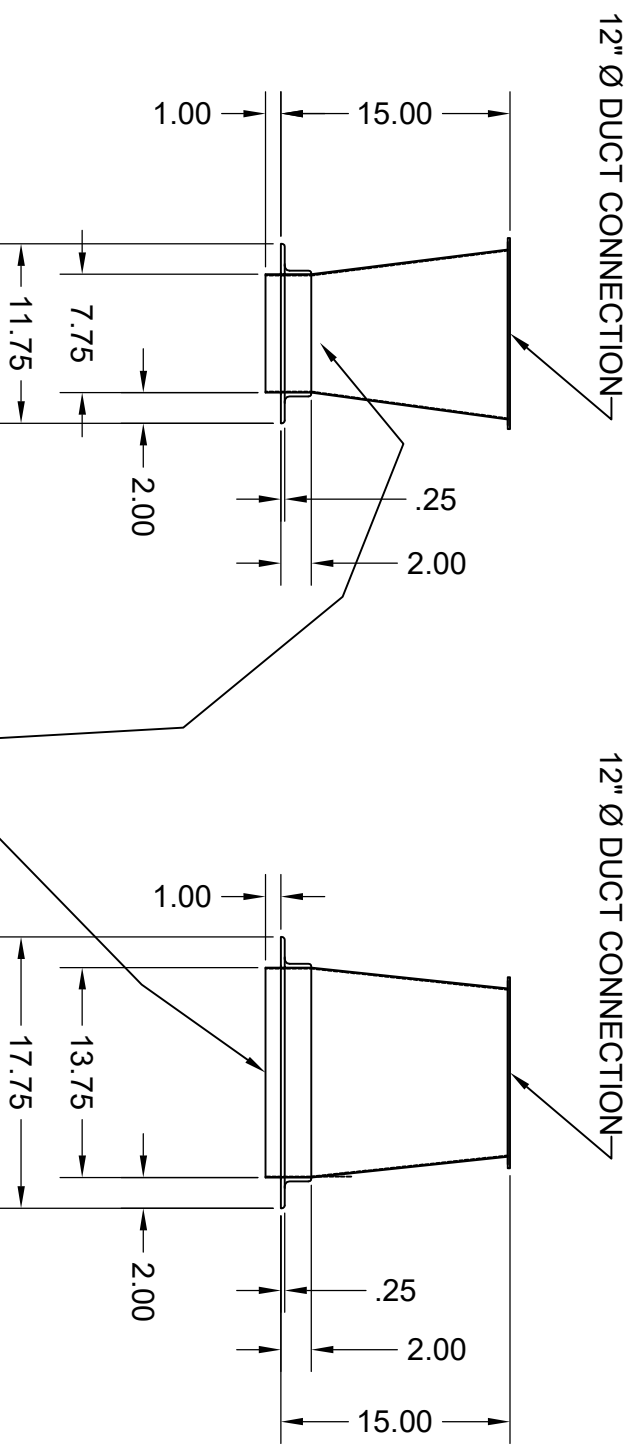
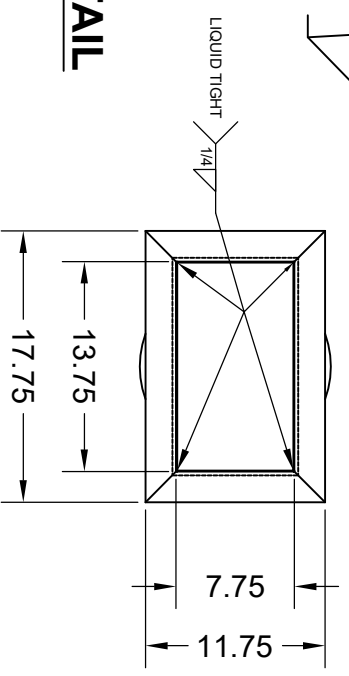


### V1000 GPM MIST COLLECTION SYSTEM

COMPONENT	QUANTITY
1	1
2	1
3	2
4	2
5	2
6	1
7	2
8	1
9	8
10	10



14" x 8" RECTANGULAR CONNECTION END  
(UNDERSIZED FOR SLIP FIT INTO MIST COLLECTOR)



(TO BE MADE OUT OF 14ga.)

### TRANSITION ADAPTER DETAIL

SIZE "C" CAD DRAWING

SCALE	1 : 8
DESIGN	BML
DRAFT	BML
DATE	8/1/1/15
CHECKED	-
TITLE	V1500 MIST COLLECTION DUCT, 12"
ORDER NO.	-
DRAWING NO.	79.80095.1021
REV	-

SYMBOL	REVISIONS	DATE	BY
REF. DRAWING	-		

DIMENSIONAL TOLERANCES  
ALL DIMENSIONS ARE  
REFERENCE ONLY  
TOLERANCES AS SHOWN

**DANNES**  
International, Inc.  
ROCKFORD, ILLINOIS 61105  
(815) 964-8661

**ADVANCED CONCEPTS**  
**SUPERIOR FILTRATION**