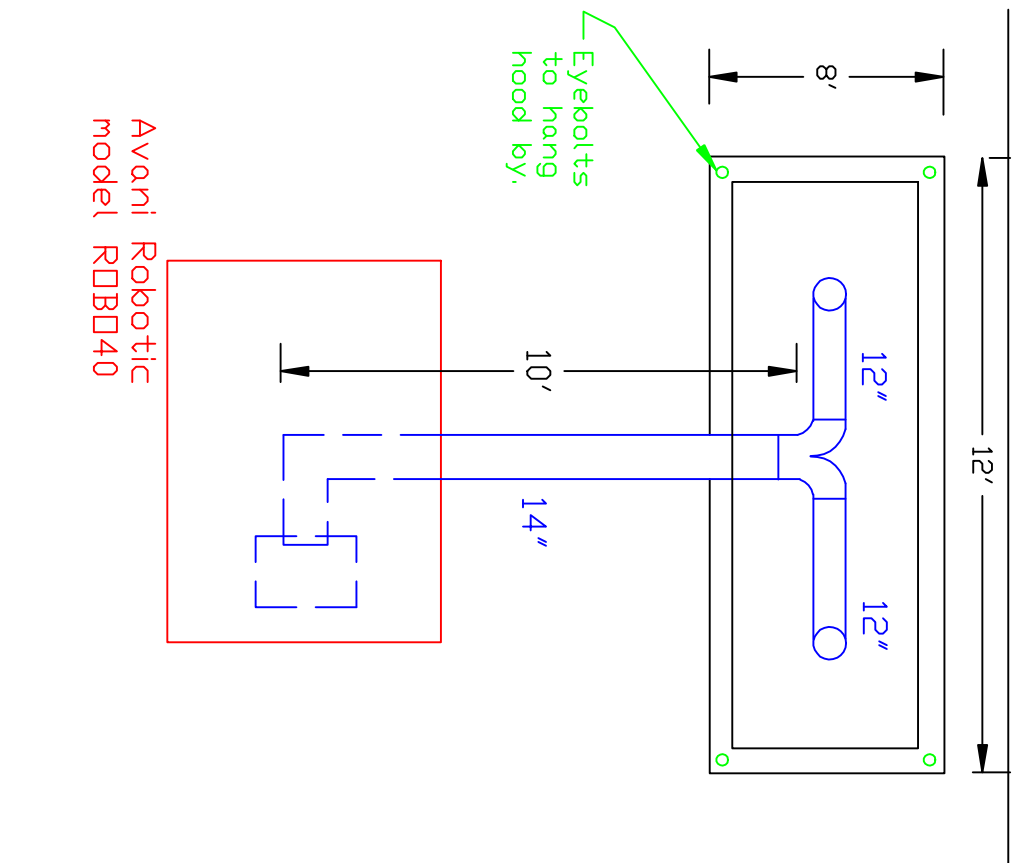
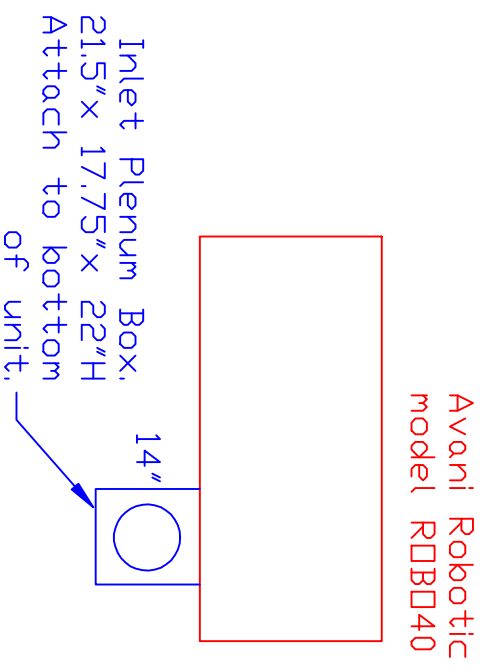


Ductwork Layout for ROBD 40

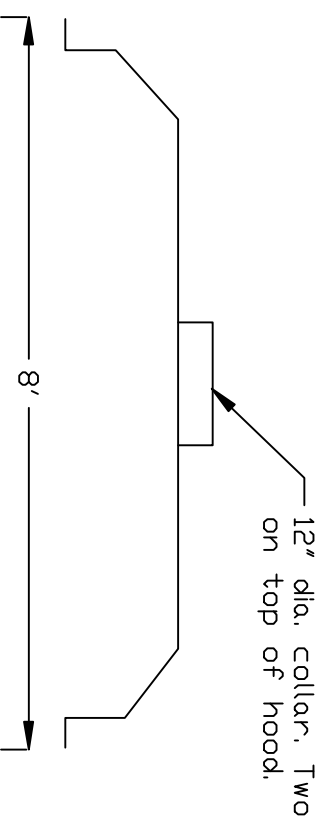
Plan View Hood over robots



Side View



End View of HOOD



Avani Environmental
 95 Cypress Drive 27596
 Raleighville, NC
 P# 919-570-2862 F# 919-570-2863

AEI

Project: ROBD 40
 Drawing: Duct and Hood
 Date: 2/15/10 Drawn by: RAV
 Sheet No: