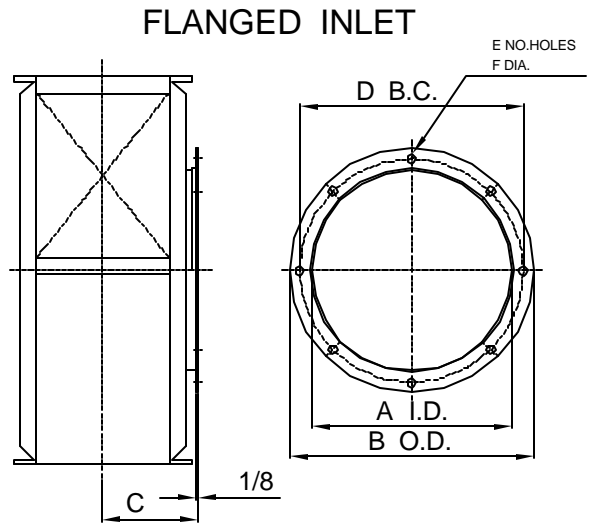


FAN SIZE	FLANGED INLET-DIMENSIONS-INCHES					
	A I.D.	B O.D.	C ± 1/4	D B.C. ± 3/32	E	F DIA.
12 1/4	16 1/16	19 1/16	6 13/16	17 11/16	8	5/8
13 1/2	17 5/16	20 5/16	7 1/4	19 1/16	8	5/8
15	18 13/16	21 13/16	7 7/8	20 9/16	8	5/8
16 1/2	20 5/16	23 5/16	8 7/16	22 1/16	8	5/8
18 1/4	23 5/16	26 5/16	9 5/32	25 1/16	8	5/8
20	25 5/16	29 5/16	10 1/4	27 9/16	8	5/8
22 1/4	27 5/16	31 5/16	11 3/16	29 9/16	16	5/8
24 1/2	29 13/16	33 13/16	12 1/16	32 1/16	16	5/8
27	33 5/16	37 5/16	13	35 9/16	16	5/8
30	36 5/16	40 5/16	14	38 9/16	16	5/8
33	39 5/16	43 5/16	15 1/8	41 9/16	16	5/8
36 1/2	42 13/16	46 13/16	16 1/2	45 1/16	16	5/8
40 1/4	46 13/16	51 5/16	18 5/8	49 9/16	16	5/8
44 1/2	51 5/16	55 13/16	20 1/4	54 1/16	16	5/8
49	55 13/16	60 5/16	21 5/8	58 9/16	24	5/8



ABOVE CENTERLINE  
TYP. SIZES  
12 1/4-33

BELOW CENTERLINE  
TYP. SIZES  
36 1/2-44 1/2

SIZES 12 1/4 THRU 36 1/2 FLANGE HOLES ARE ON CENTERLINE.  
SIZES 40 1/4 AND 44 1/2 FLANGE HOLES STRADDLE CENTERLINE.

**NOTES:**

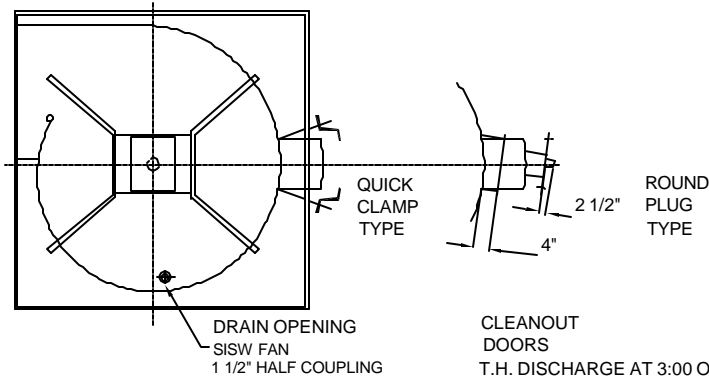
SIZES 12 1/4 - 33: USE A ROLLED, PUNCHED ANGLE RING BOLTED TO THE FAN STANDARD SLIP INLET COLLAR.

SIZES 36 1/2 - 44 1/2: USE A ROLLED CHANNEL, PUNCHED AND BOLTED TO THE FAN INLET IN LIEU OF THE STANDARD SLIP INLET COLLAR.

**CLEANOUT DOOR & HOUSING DRAIN**

CLEANOUT DOOR LOCATIONS MUST BE SPECIFIED ON ORDER BY "O'CLOCK" POSITION. THESE LOCATIONS ARE AS VIEWED FROM DRIVE SIDE AND DOORS ARE SYMMETRICAL ON O'CLOCK CENTERLINE. SEE RESTRICTIONS BELOW.

9T/9S ADJUSTABLE MOTOR BASES IMPOSE OBVIOUS DOOR POSITION RESTRICTIONS TO BE CONSIDERED WHEN SPECIFYING LOCATIONS ON ORDERS.



DRAIN OPENING IS LOCATED AT THE LOWEST POINT ON THE SCROLL, ON THE FAN DRIVE SIDE

CLEANOUT DOORS  
T.H. DISCHARGE AT 3:00 O'CLOCK DOORS POSITION SHOWN (C.C.W. ROTATION)

FAN SIZE	CLEANOUT DOOR	
	SIZE OPENING	
	CLAMP TYPE	PLUG TYPE
12 1/4	4 x 8	NA
13 1/2	6 x 10	NA
15	6 x 10	8
16 1/2	10 x 10	8
18 1/4	10 x 10	8
20	10 x 10	12
22 1/4	10 x 10	12
24 1/2	10 x 10	12
27	10 x 10	12
30	16 x 16	18
33	16 x 16	18
36 1/2	22 x 22	22
40 1/4	22 x 22	22
44 1/2	22 x 22	22
49	22 x 22	22

**NOTES:**

A. INLET FLANGES ARE FURNISHED PUNCHED AS STANDARD



**SERIES 6000 DESIGN 6100  
ACCESSORIES  
SHELDONS ENGINEERING**

www.sheldonsengineering.com  
sales@sheldonsengineering.com

DWG. NO. CD-007843-3