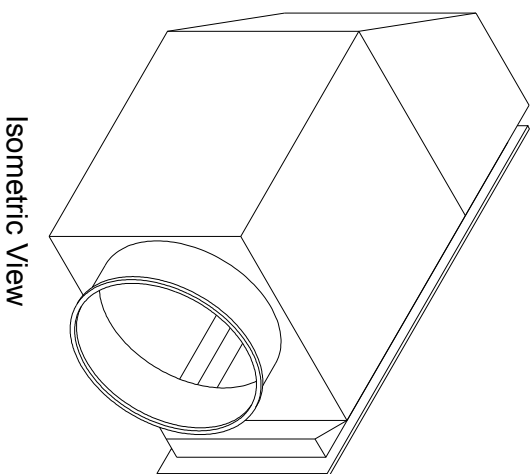
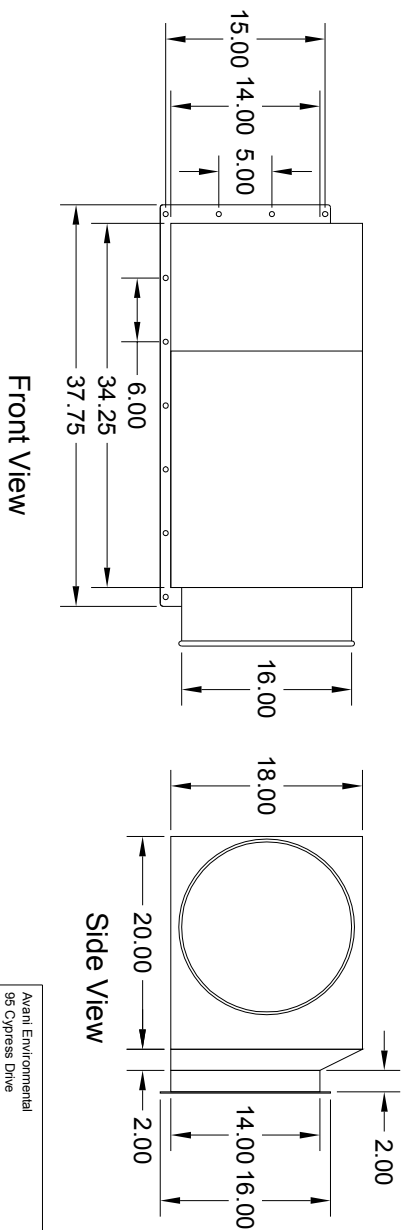
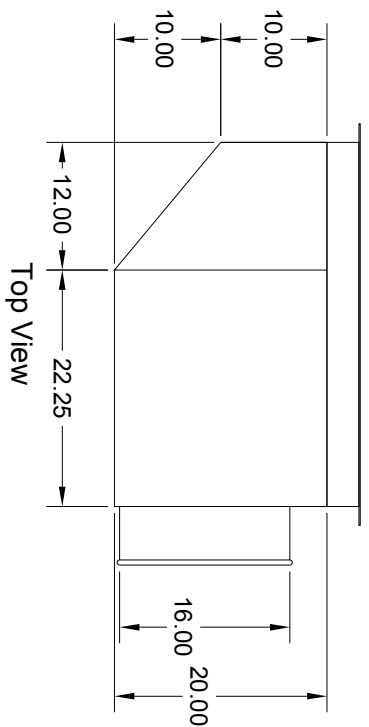
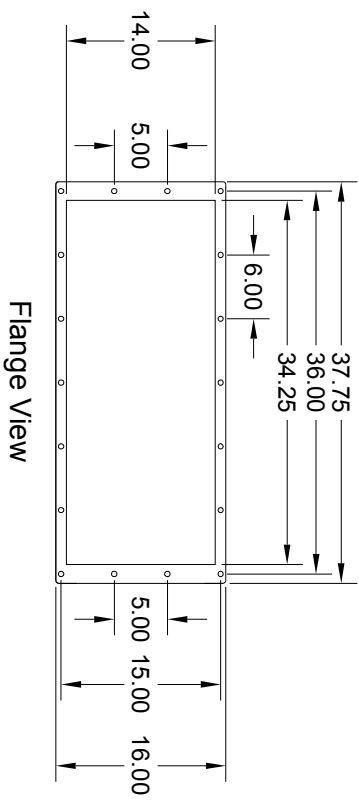


Agelo State Side Inlet



Avani Environmental 96 Cypress Drive Yonkersville, NC 27596 PH: 919-570-2882 FX: 919-570-2883		Avani
Project: Angelo State		
Drawing: Side Inlet - SDC-AT-4-16		
Date: 11/7/13	Drawn by: MDT	
Sheet No: 1	Rev.: 0	