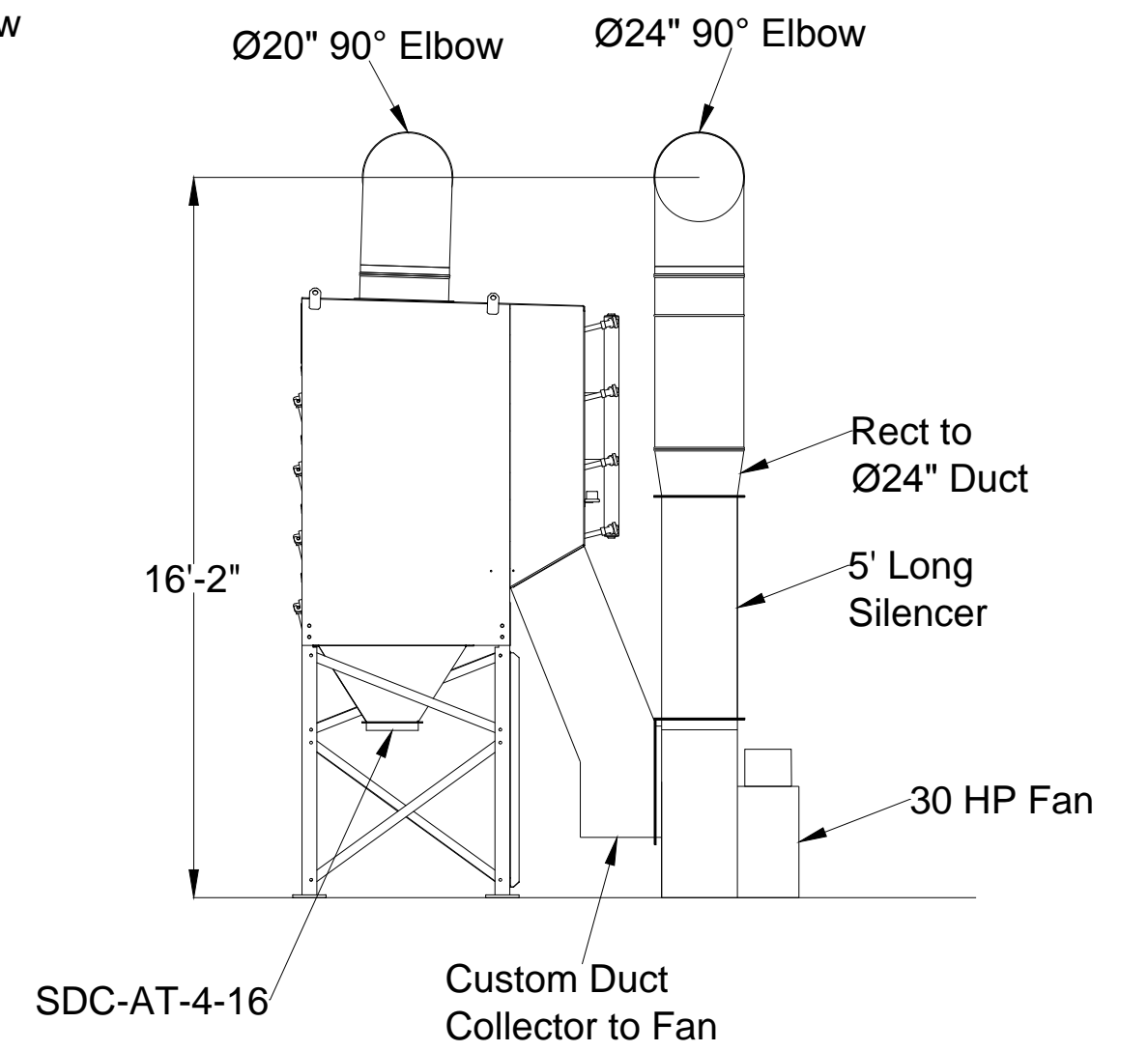
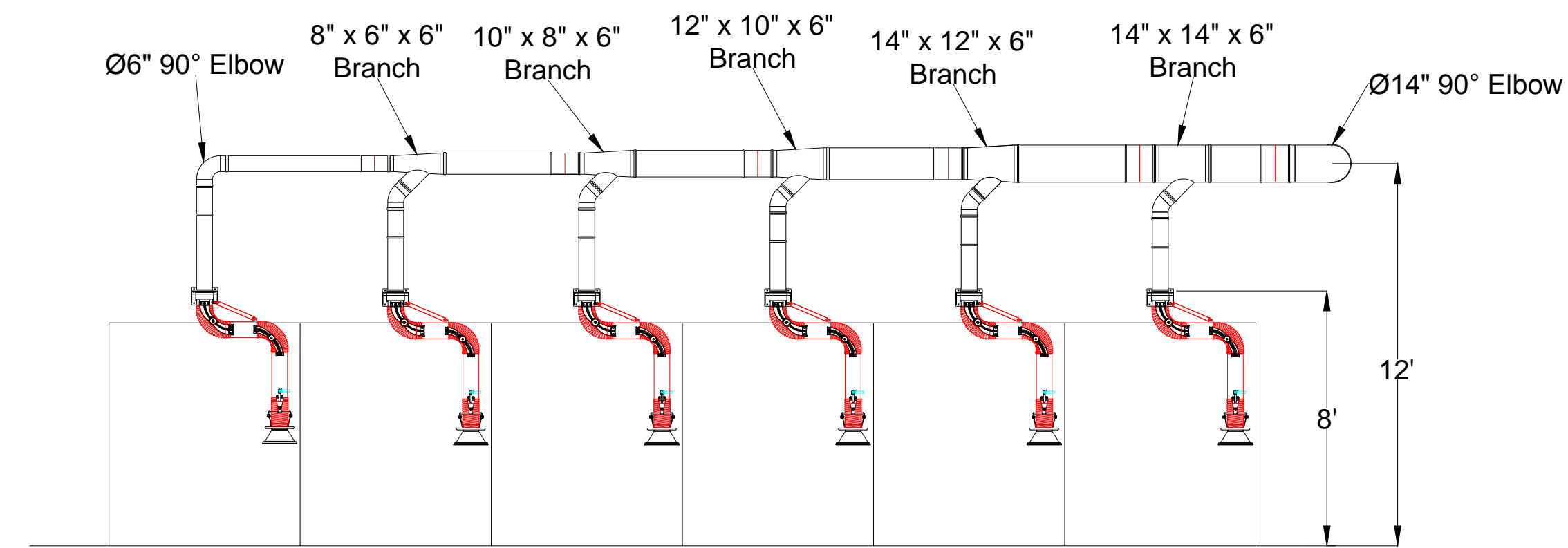
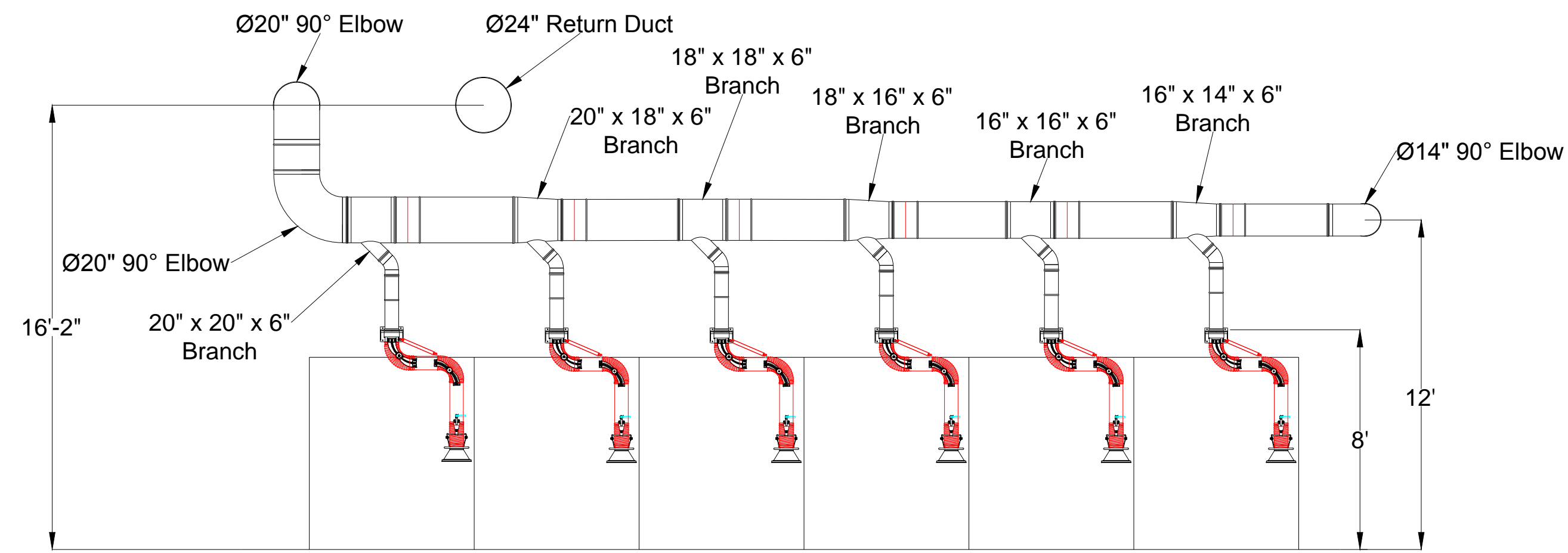
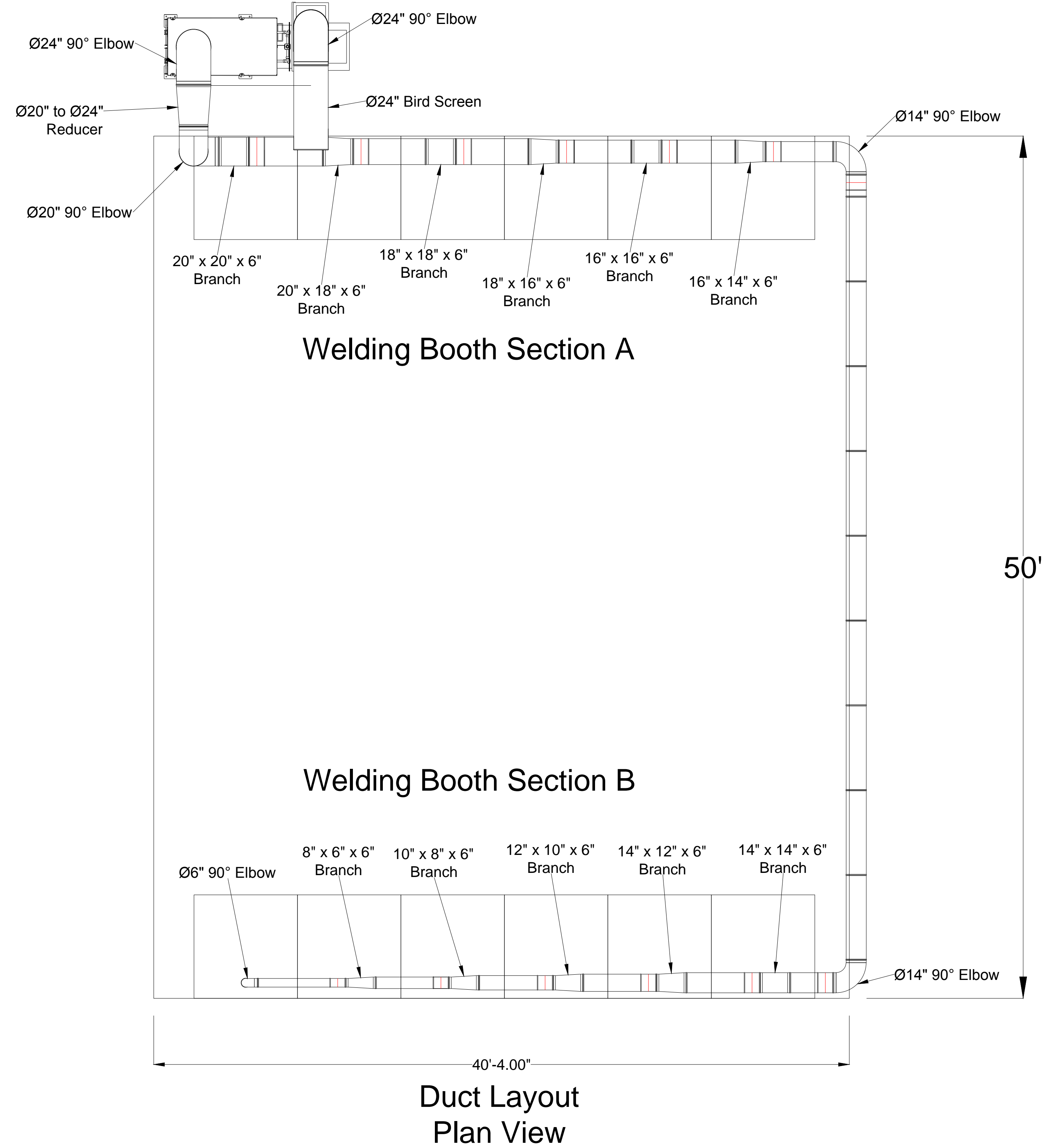


# Angelo State University Duct Layout



- Notes:
1. K&B duct to connect to an SDC-4-16 with a 30 HP Fan
  2. Support duct from ceiling
  3. Return air at Ø 24" with birdscreen

Avani Environmental Intl. 95 Cypress Drive Youngsville, NC 27596 P# 919-570-2862 F# 919-570-2863		
Project: Angelo State University Drawing: Duct Layout		
Date: 2/28/2013	Drawn by:MDT	
Sheet No: 1 Of 1	Scale - 1:50	