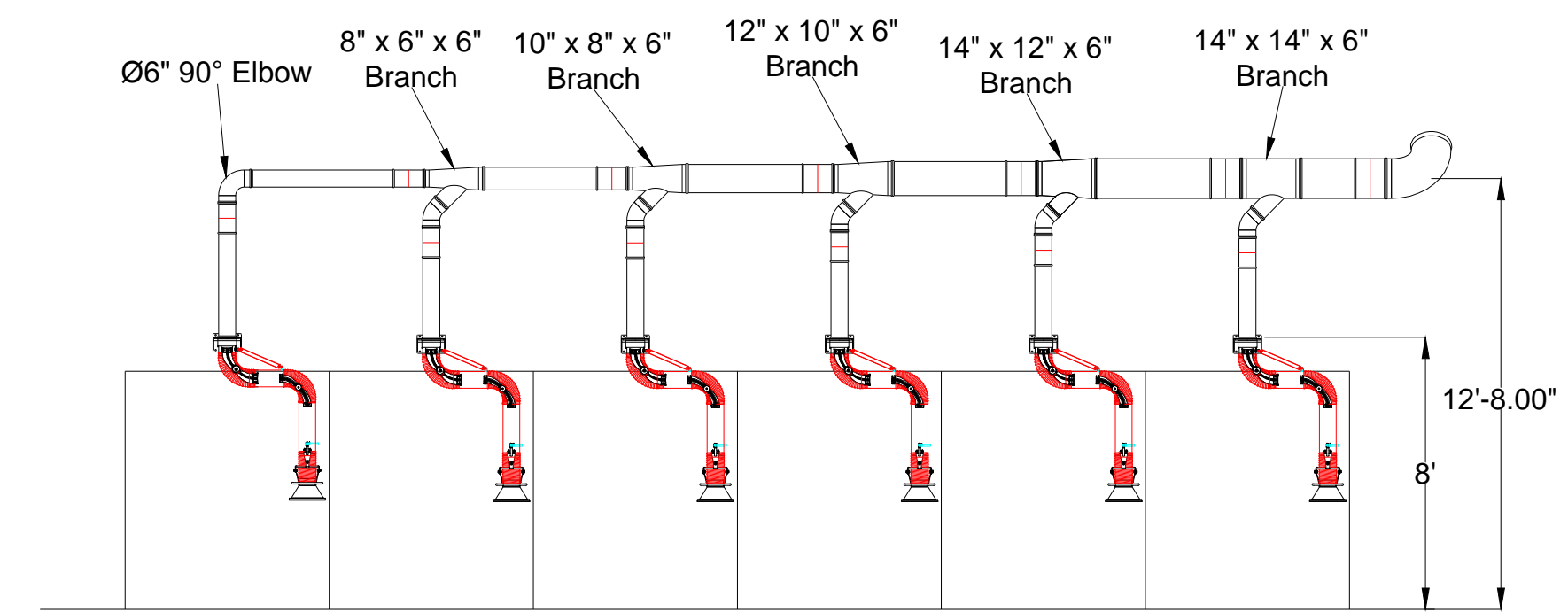
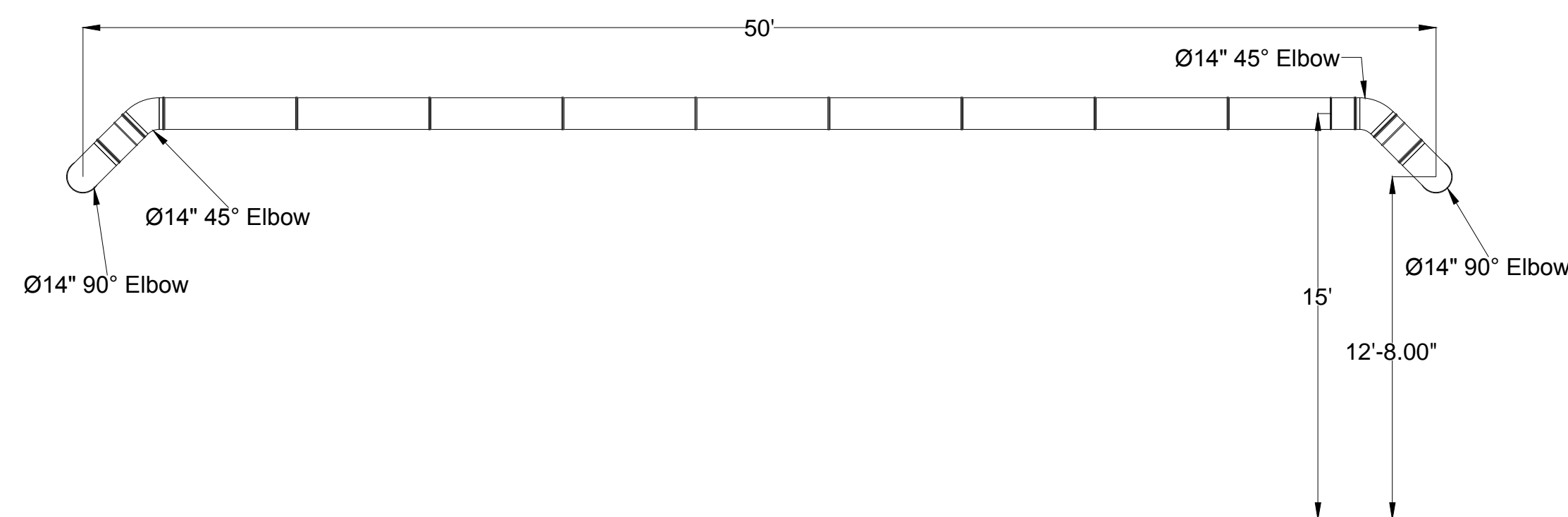
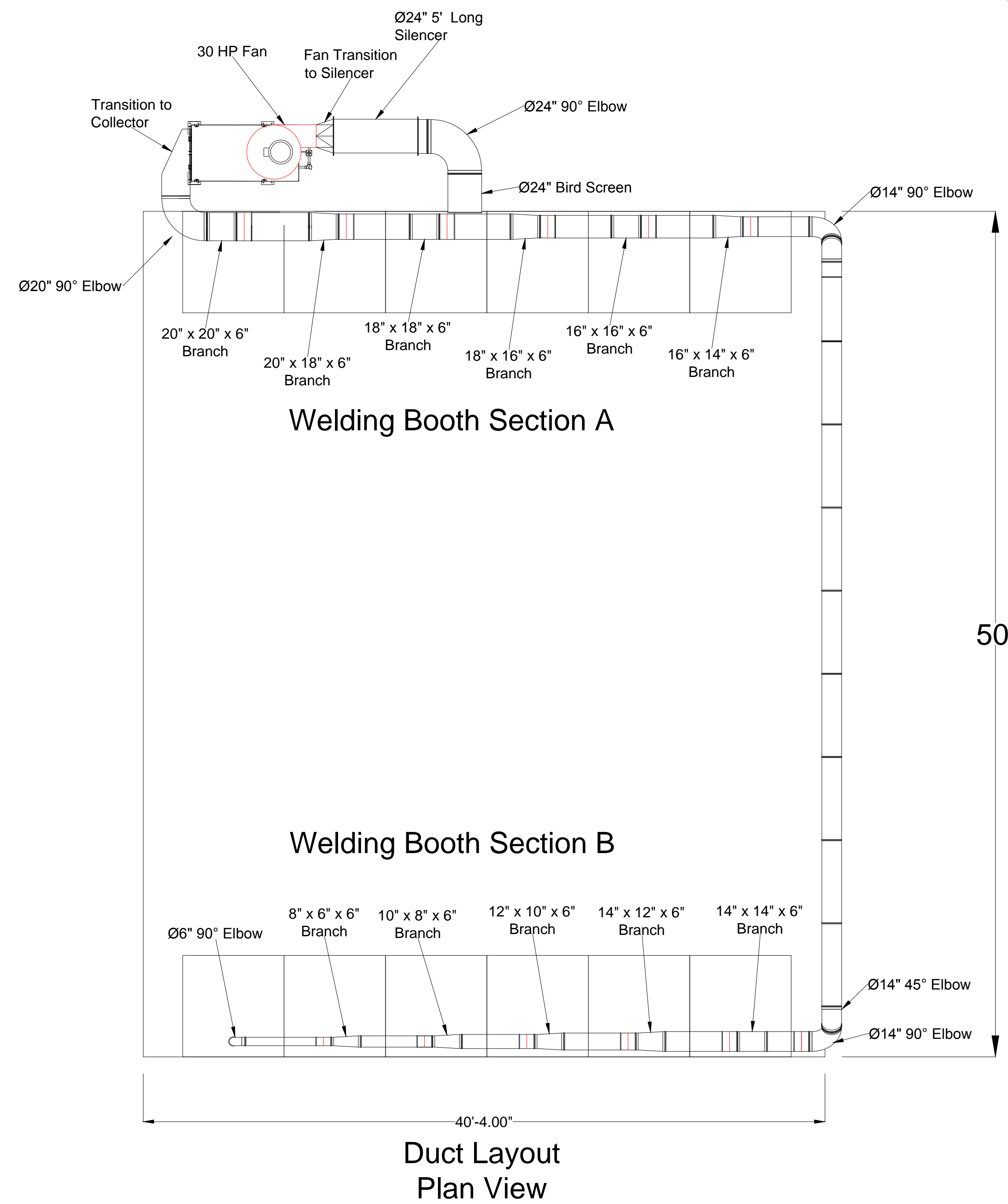
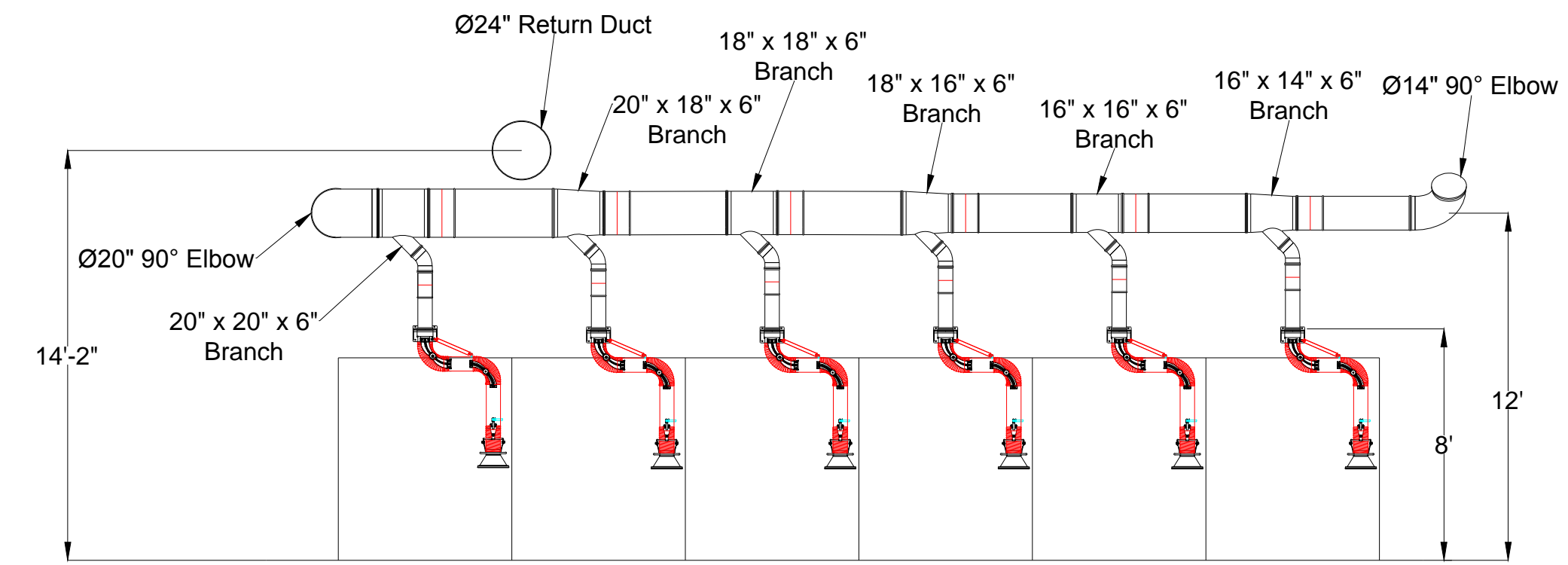


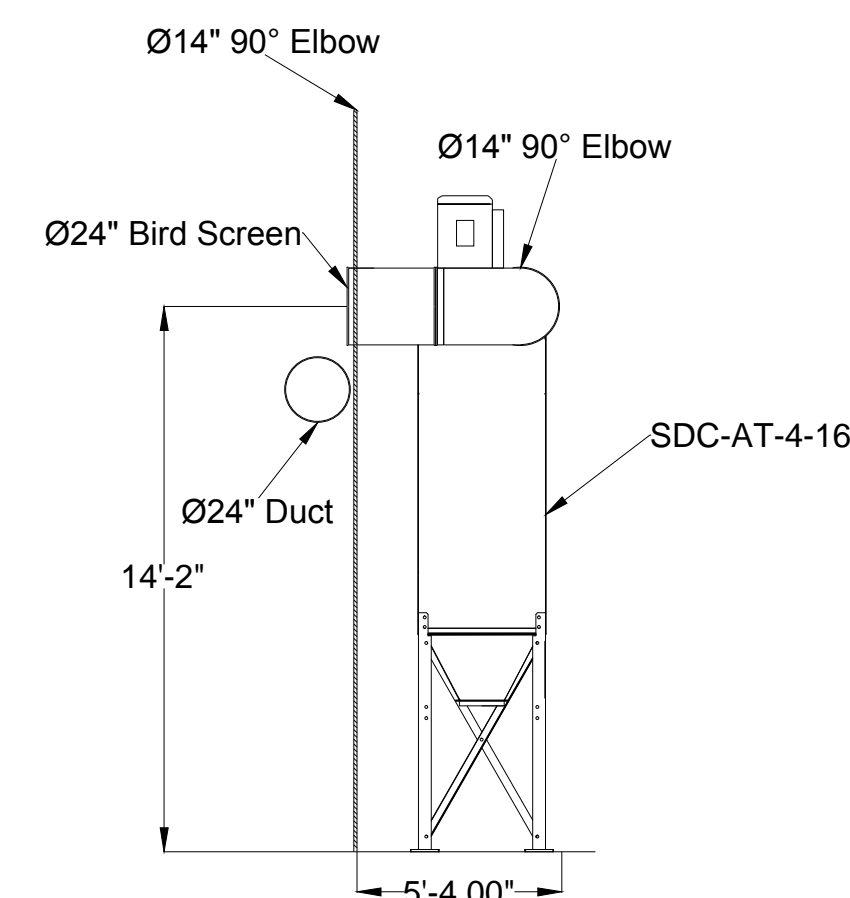
Angelo State University Duct Layout



Welding Booth Section B
Elevation View



Welding Booth Section A
Elevation View



- Notes:
1. K&B duct to connect to an SDC-4-16 with a 30 HP Fan
 2. Support duct from ceiling
 3. Return air at Ø 24" with birdscreen

Avani Environmental Intl.
95 Cypress Drive
Youngsville, NC 27596
P# 919-570-2862 F# 919-570-2863

Avani

Project: Angelo State University

Drawing: Duct Layout

Date: 2/28/2013

Drawn by:MDT

Sheet No: 1 Of 1

Scale - 1:60