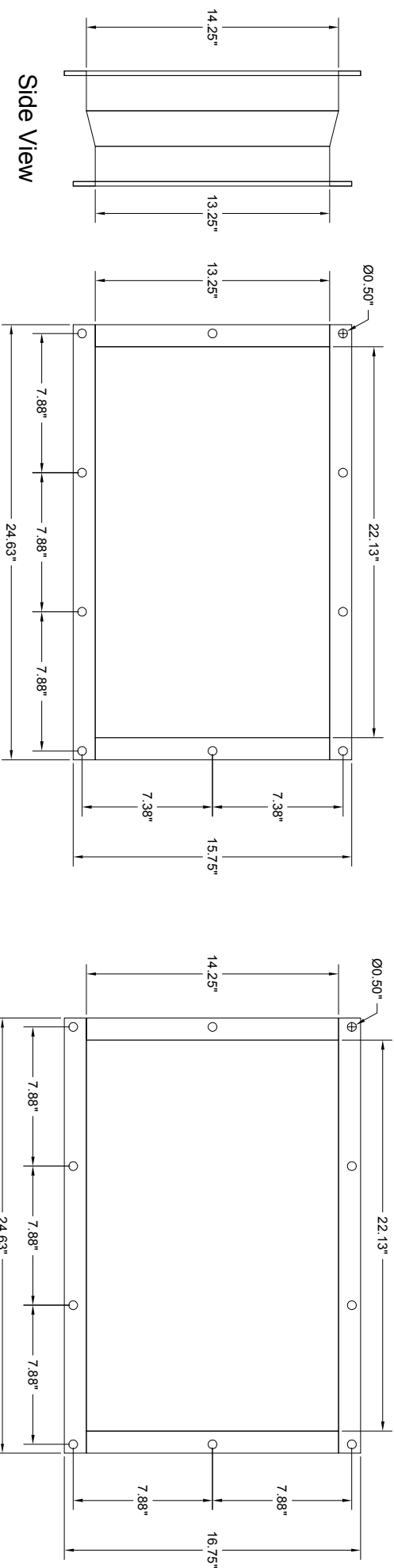


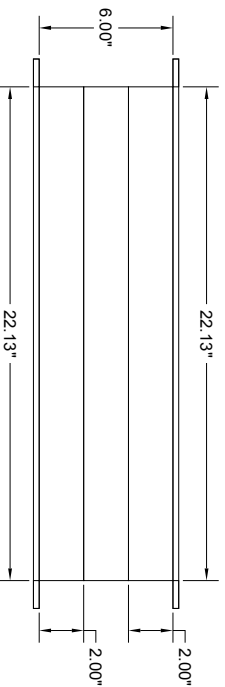
Isometric View



Side View

Flange 1 View

Flange 2 View



Side View

Avani Environmental

95 Cypress Drive

Youngsville, NC 27596

Ph# 919-570-2862 F# 919-570-2863

Avani

Project: Angelo State

Drawing: Transition to Fan

Date: 11/25/13

Drawn by: MDT

Sheet No.: 1

Rev.: 0