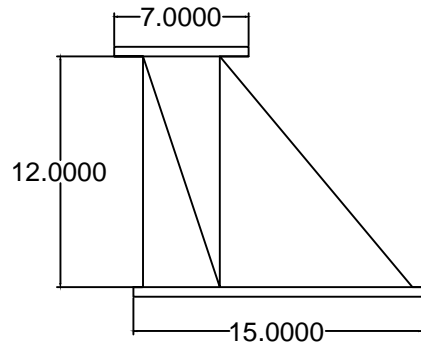
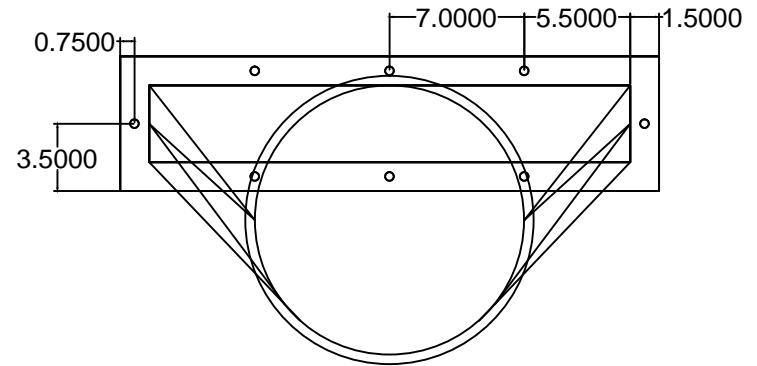


Amstead Rail 21355

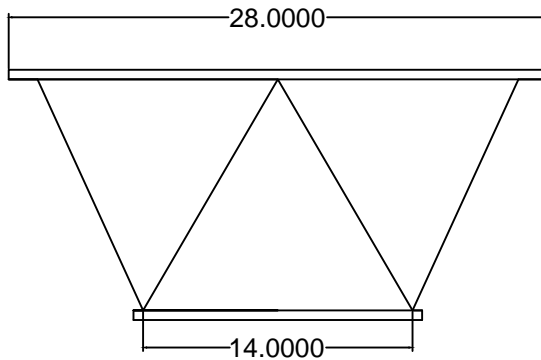
14" Duct Rec-to-Round



Side View



Top View



Front View

Avani Environmental Intl. Inc.
 95 Cypress Drive
 Youngsville, NC 27596
 P# 919-488-2862 F# 919-488-2863

Avani

Project: Amstead Rail

Drawing: 14" Duct Rec-to-Round

Date: 7/23/14

Drawn by: MAC

Sheet No: 1 OF 1

Rev: 1