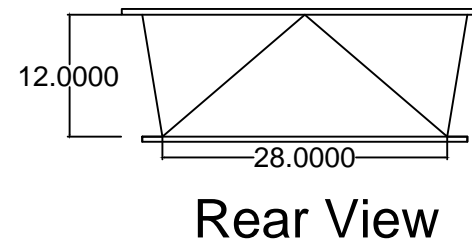
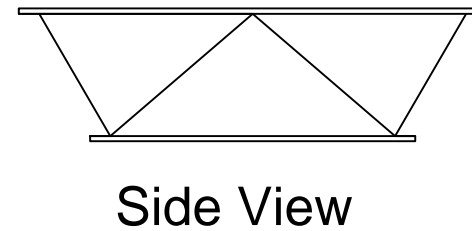
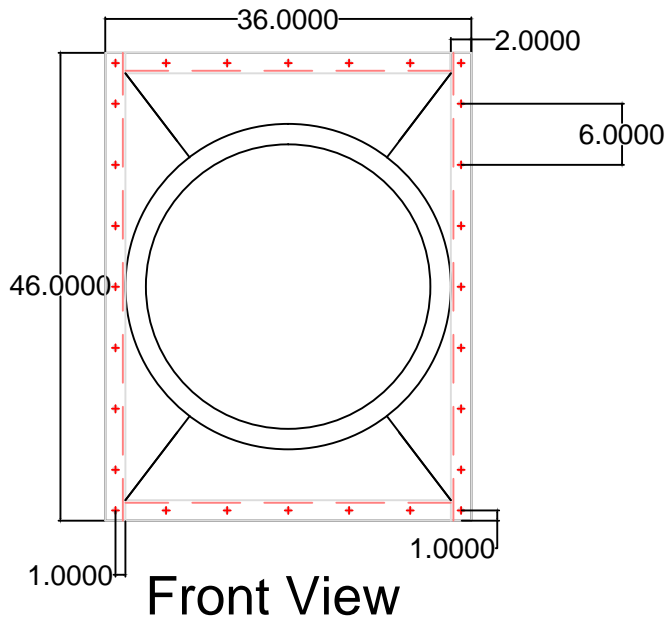


# Amstead Rail 21355

## 28" Duct Rec-to-Round



Avani Environmental Intl. Inc.  
95 Cypress Drive  
Youngsville, NC 27596  
P# 919-488-2862 F# 919-488-2863

**Avani**

Project: Amstead Rail

Drawing: 36" Duct Rec-to-Round

Date: 7/23/14

Drawn by: MAC

Sheet No: 1 OF 1

Rev: 1