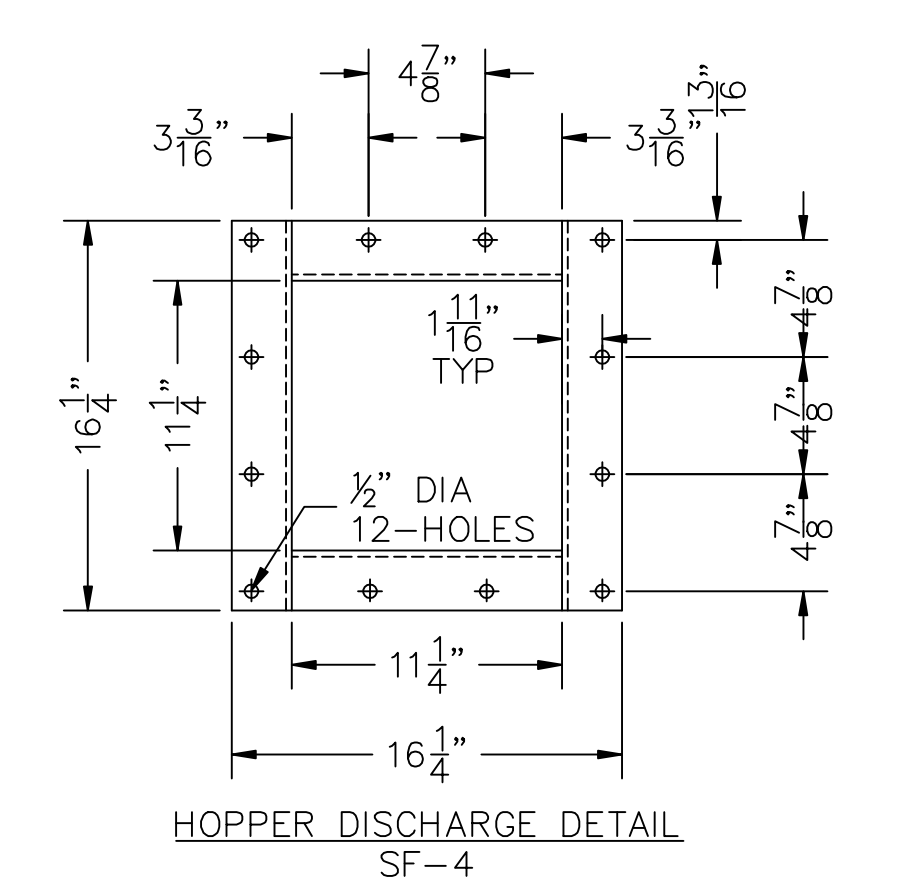
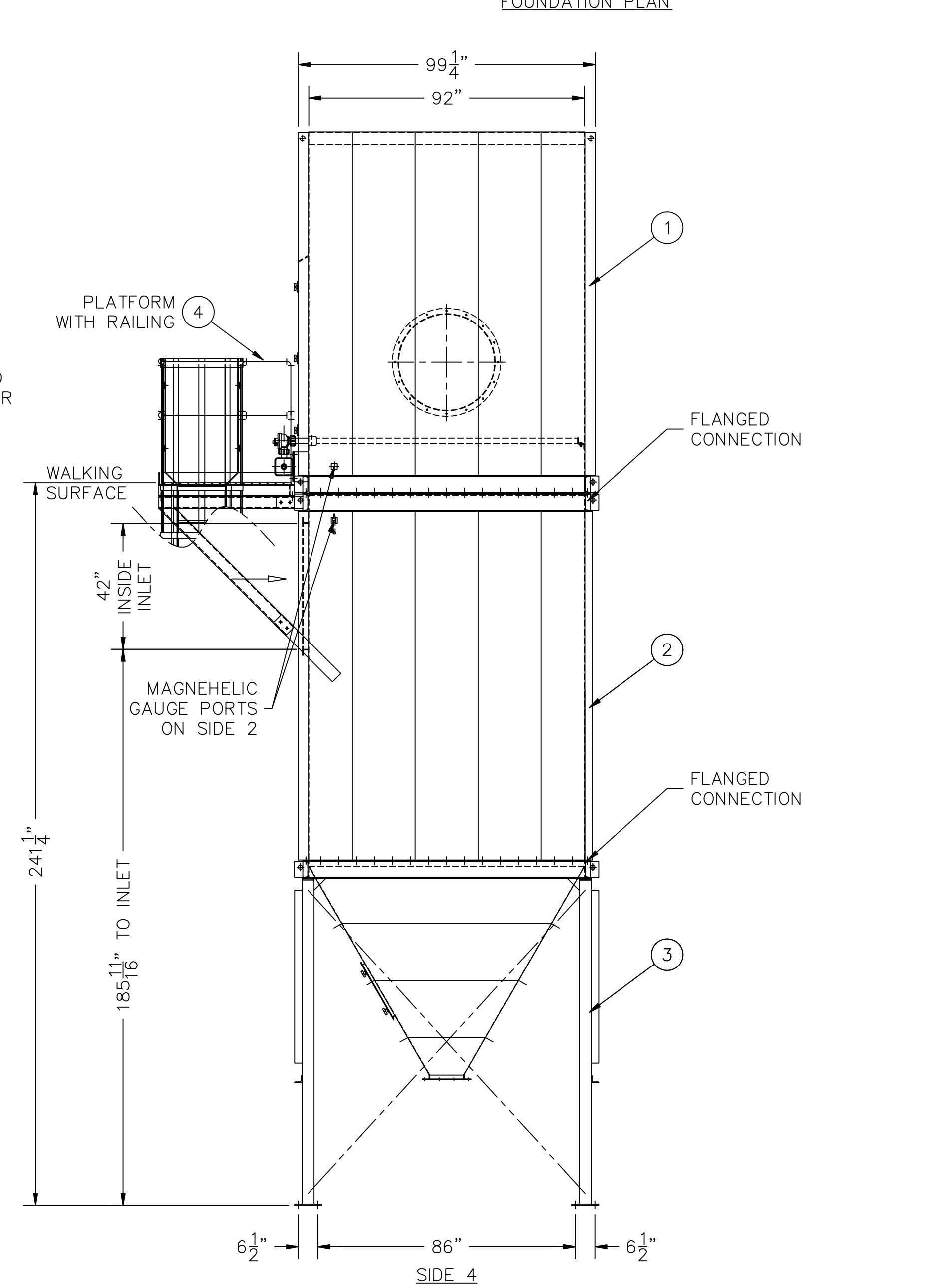
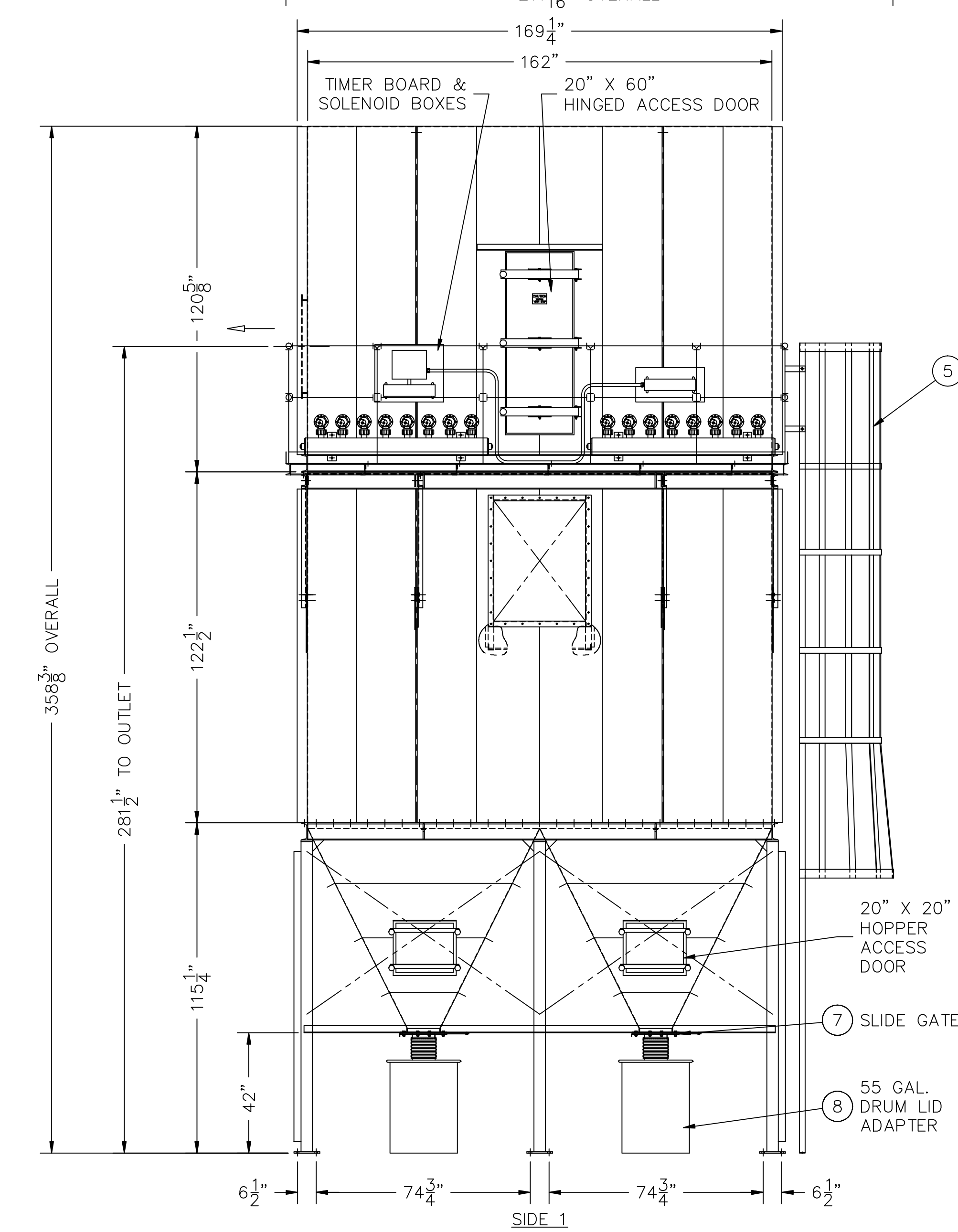
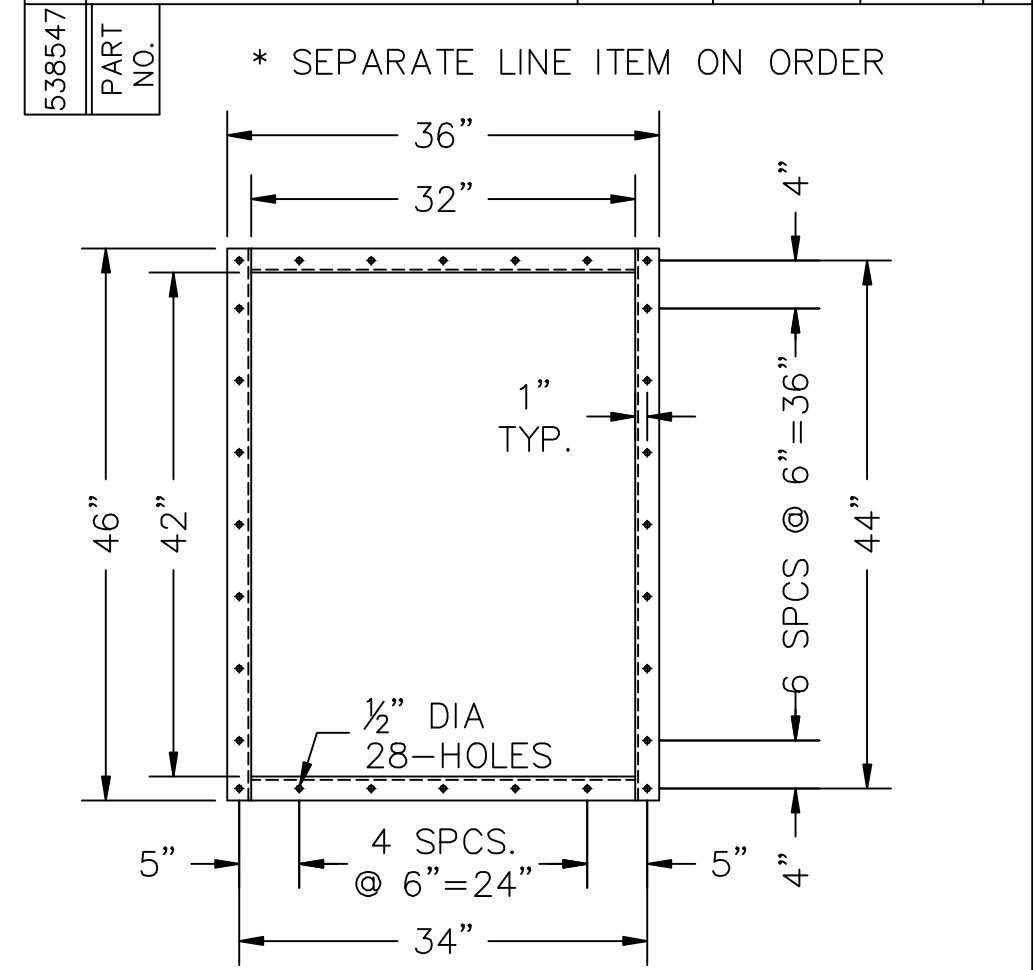


BILL OF MATERIAL					
FIG.	DESCRIPTION	PART NO.	DWG NO.	MAT'L	ITEM
1	UPPER BIN ASSEMBLY	538556	D03029		1
1	LOWER BIN ASSEMBLY	538557	D03030		2
1	HOPPER ASSEMBLY	538558	D03031		3
* 1	PLATFORM ASSEMBLY	538549			4
* 1	CAGED LADDER	537550			5
* 1	HARDWARE BAG	538548			6
* 1	SLIDE GATE	504201			7
* 1	DRUM LID ADAPTER	500135			8
* 15	(GAL) AVANI BLUE	506202			9
1	STICKER; "WATCH YOUR STEP"				10
1	LOGO STICKER; "SDC"				11



SCIENTIFIC SPJ-192-X4T10 DUST COLLECTOR SPECIFICATIONS:

- | | |
|----------------------------------|---------------------|
| 1. NUMBER OF BAGS | 192 |
| 2. BAG LENGTH | 10 FT. |
| 3. FILTER SURFACE AREA | 2262 SQ. FT. |
| 4. COMPRESSED AIR REQUIREMENTS | |
| SCFM @ 90-100 PSIG | 7.9 - 26.1 |
| CLEAN DRY AIR | |
| 5. NUMBER OF VALVES | 16 |
| 6. INLET OPENINGS | 32" x 42" |
| 7. OUTLET OPENING | 32 1/8" DIA. |
| 8. TWO HOPPER DISCHARGE OPENINGS | 9 1/2" x 9 1/2" |
| 9. BIN ACCESS DOOR | 20" x 60" |
| 10. ACCESS DOOR IN EACH HOPPER | 20" x 20" |
| 11. NEMA 4 CONTROL PACKAGE | 120 V. 1 PH. 60 HZ. |
| 12. HOUSING MATERIAL | 12 GA. HRS |
| 13. WIRING DIAGRAM | W16-A |

PLEASE SIGN APPROVED FOR MANUFACTURE: X DATE: _____

THIS MATERIAL IS PROPERTY OF SCIENTIFIC DUST COLLECTORS. NO RIGHTS ARE GRANTED TO USE SUCH MATERIAL FOR ANY PURPOSE OTHER THAN (1) PRODUCT EVALUATION OR MAINTENANCE OR (2) THE FURNISHING OF SERVICES AND SUPPLIES TO SCIENTIFIC DUST COLLECTORS.

CERTIFIED PRINT
USE ONLY FOR
YOUR ORDER 9029
OUR ORDER 65428
CUST. AVANI ENVIRONMENTAL
DATE 5/8/14

TITLE: SPJ-192-X4T10 FABRIC DUST COLLECTOR

TOLERANCE UNLESS OTHERWISE NOTED
.000 ± .002 FRACTIONS ± 1/16"
.00 ± .02 ANGLES ± 1°

SCIENTIFIC DUST COLLECTORS
4101 W. 126TH ST., ALSIP, ILLINOIS 60803

DRAWN BY: A.S. CHECKED BY: _____
DATE: 5/15/14 SCALE: 1/32"=1"
REFER TO: _____

DRAWING NO. 65428 REV. NO. _____