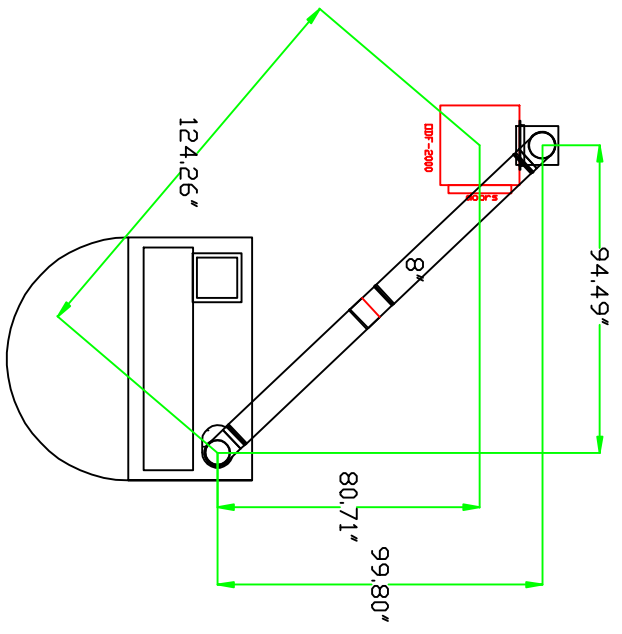
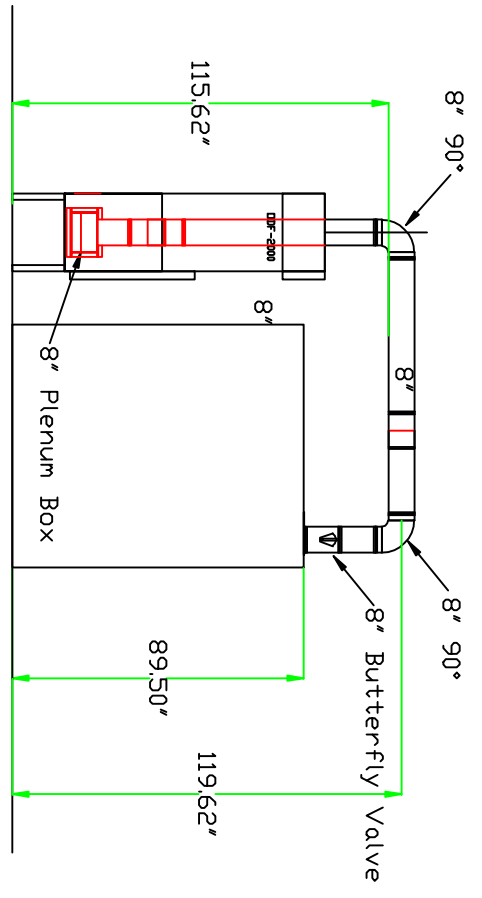


# American GFM Walter Grinder

Plan View



Elevation



SD# 19186

Avoni Environmental Intl  
 95 Cypress Drive 27596  
 Youngsville, NC  
 # 919-570-2862 F# 919-570-2863

**Avani**

Project: American GFM  
 Drawing: Walter Grinder  
 Date: 2/7/13 Drawn by: W/B  
 Sheet No: 1 of 1 Rev: 0