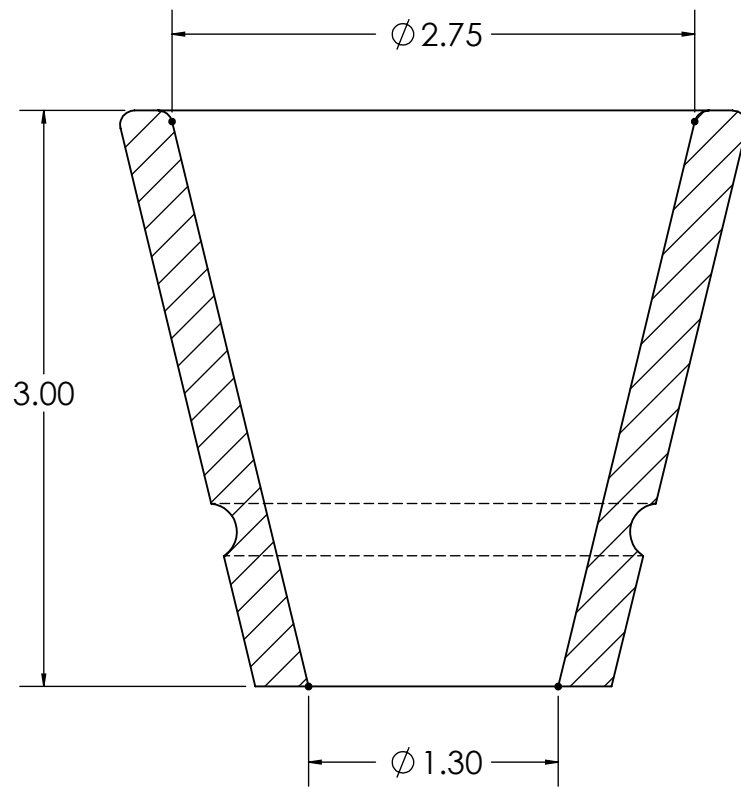
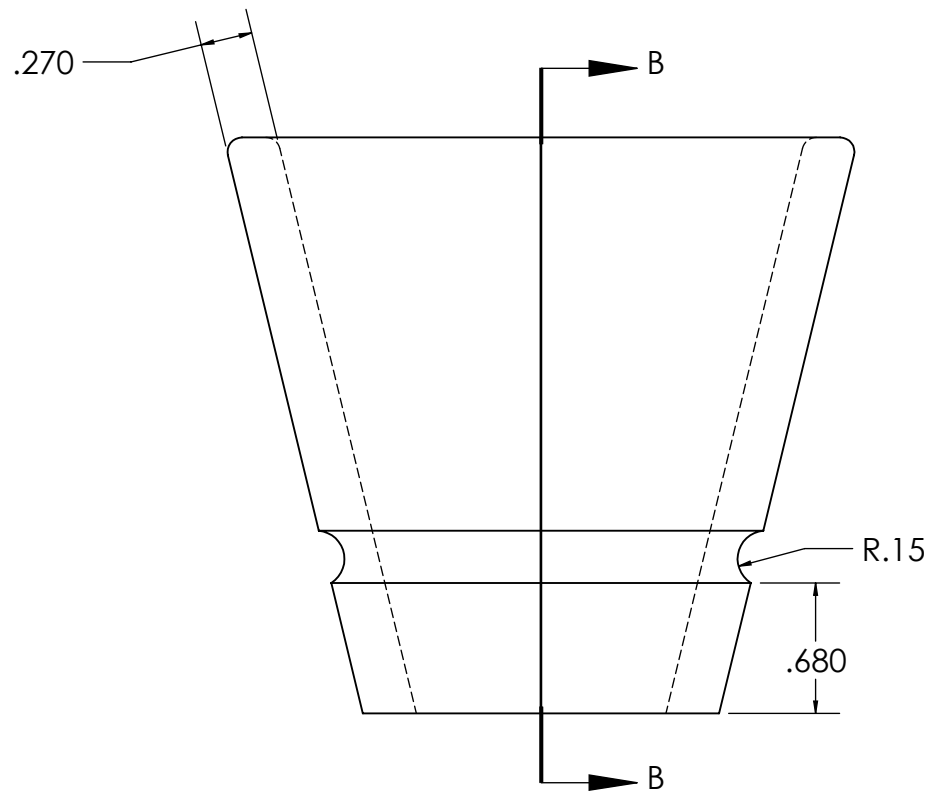
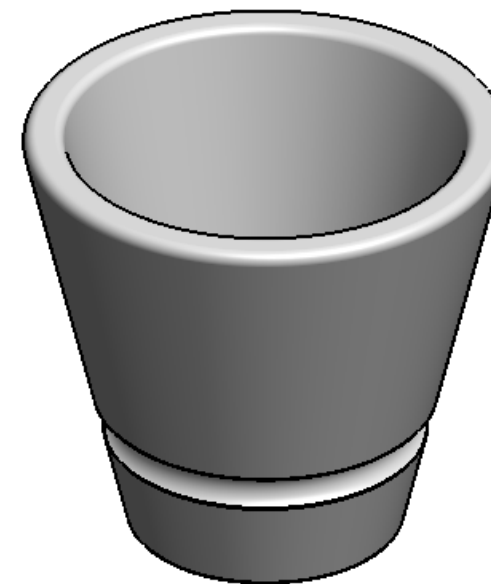


REVISIONS				
ZONE	REV.	DESCRIPTION	DATE	APPROVED
	A	Initial Release	6/29/15	J. Ferrara



SECTION B-B



**PROPRIETARY AND CONFIDENTIAL**  
 THE INFORMATION CONTAINED IN THIS DRAWING IS THE SOLE PROPERTY OF AMERICAN CASTING COMPANY. ANY REPRODUCTION IN PART OR AS A WHOLE WITHOUT THE WRITTEN PERMISSION OF INTEGRATED COMPOSITES INC. IS PROHIBITED.

WARNING - This document contains technical data whose export is restricted by the Arms Export Control Act (Title 22, U.S.C. Sec 2751 et. seq.) or the Export Administration Act of 1979, as amended, Title 50, U.S.C. App 2401 et. seq. Violations of these export laws are subject to severe criminal penalties.

		THIRD ANGLE PROJECTION
		UNLESS OTHERWISE SPECIFIED: DIMENSIONS ARE IN DECIMAL INCHES. TOLERANCES ARE: ANGLES $\pm .5^\circ$ .X $\pm .1$ .XX $\pm .01$ .XXX $\pm .005$ .XXXX $\pm .0005$
		INTERPRET DRAWING PER: ASME Y14.5 (Most Current Revision)
		MATERIAL SEE BOM
NEXT ASSY	USED ON	FINISH N/A
APPLICATION		DO NOT SCALE DRAWING

	NAME	DATE
DRAWN:	J Ferrara	6/29/15
CHECKED:	C St. John	6/29/15
ENG APPR:		
COMMENTS:		

**American casting company** 51 Fallon Rd. Hollister, CA 95023  
 Ph. (831) 637-5641 Fax (831) 636-8390  
[www.americancastingco.com](http://www.americancastingco.com)

TITLE: C Cup

SIZE <b>B</b>	DWG. NO. C Cup	REV <b>A</b>
CAGE CODE: 31YE6		SHEET 1 OF 1