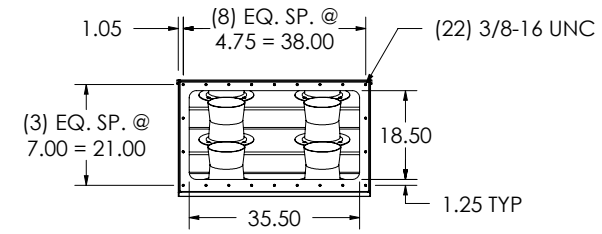
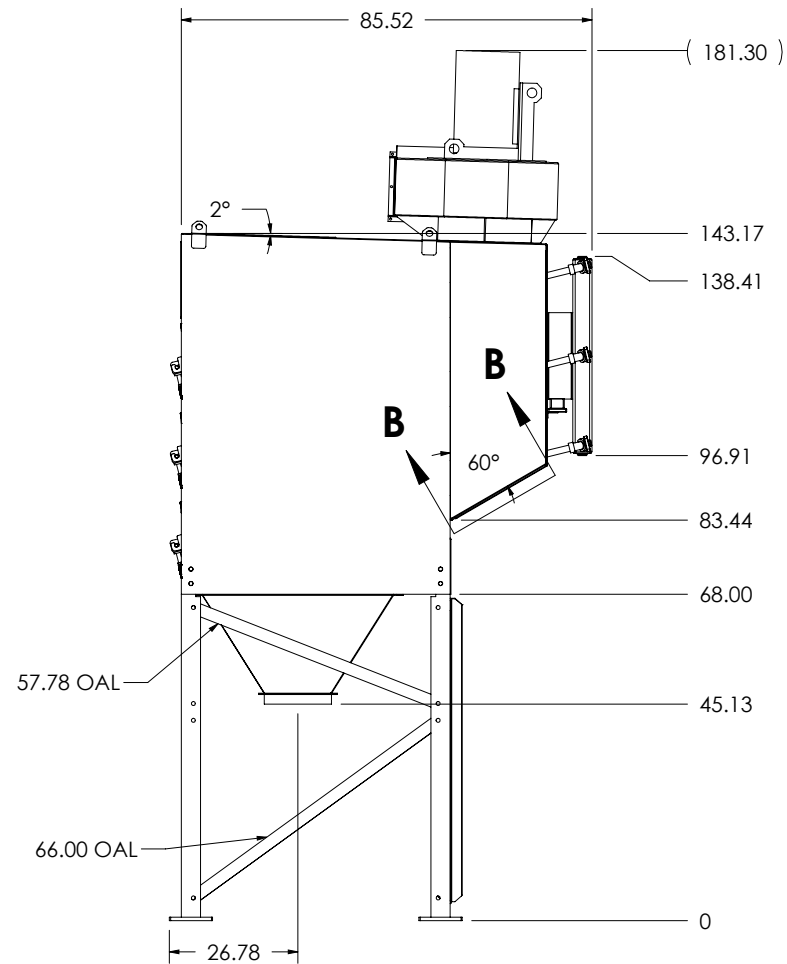
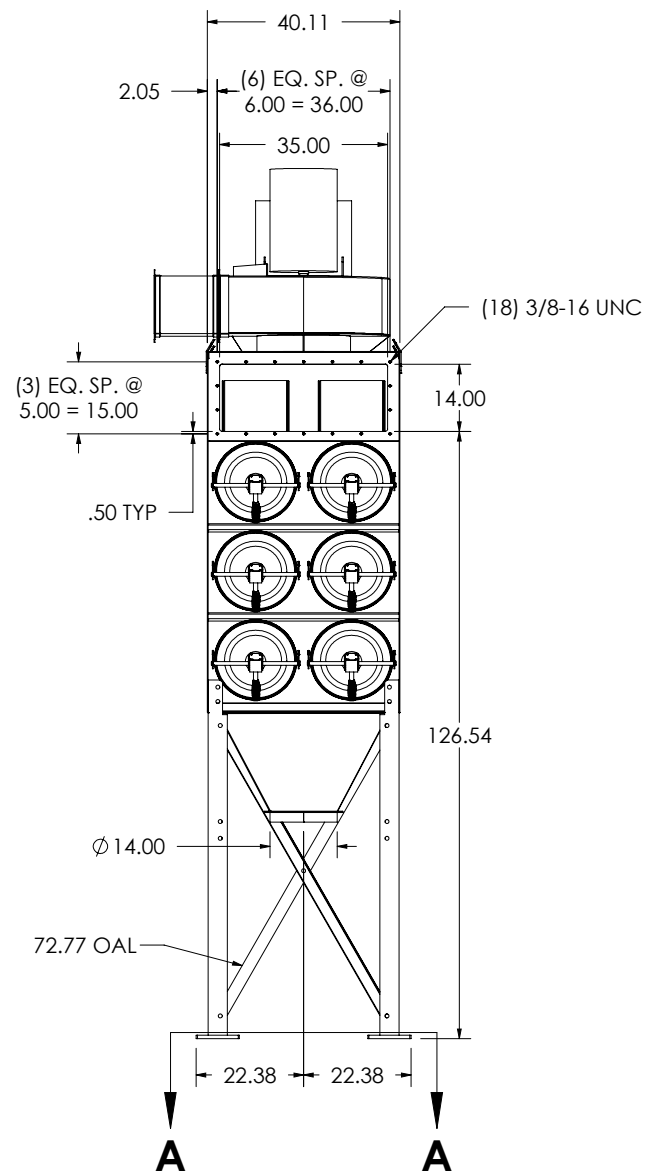
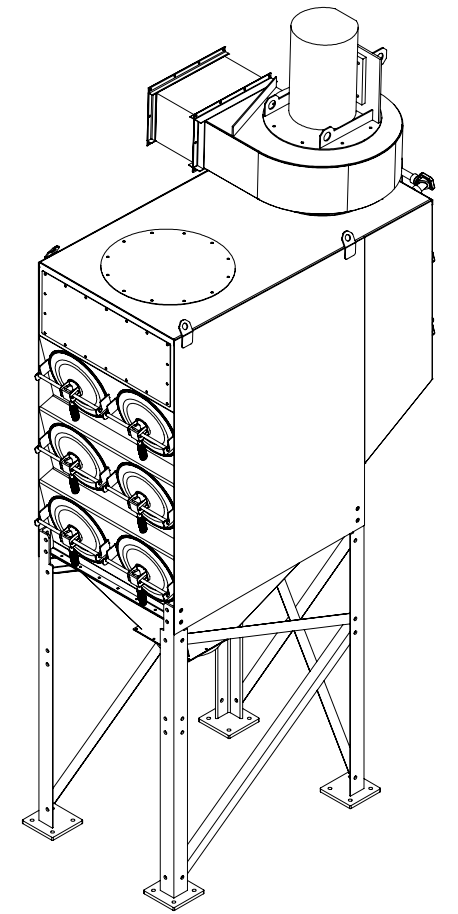


SECTION A-A




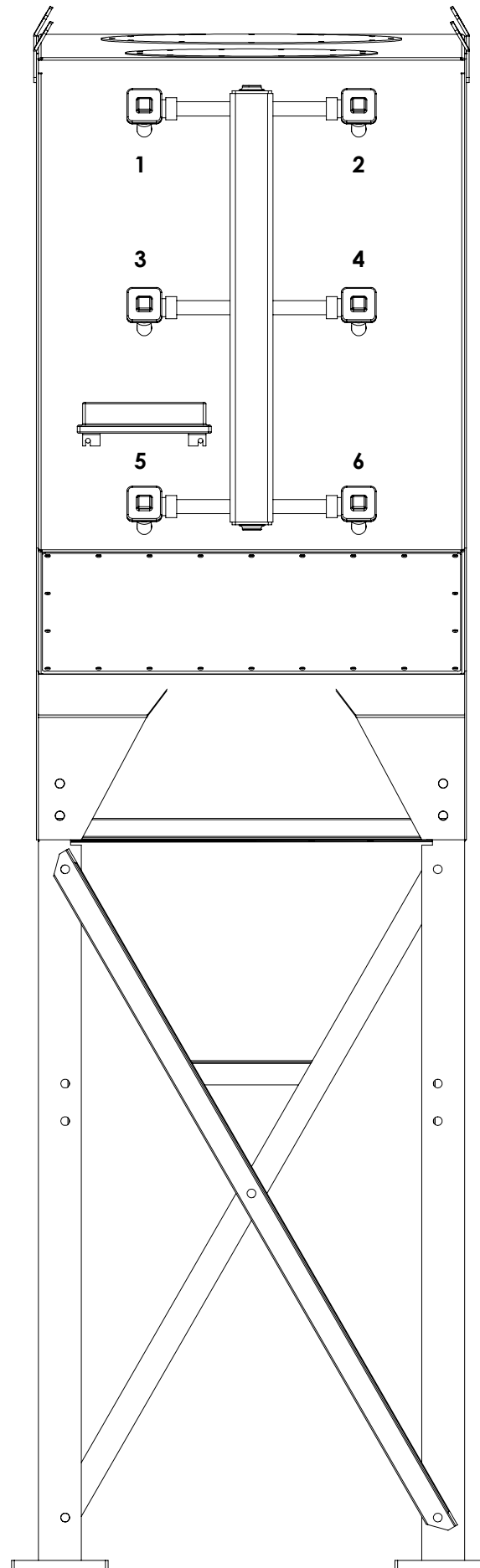
SECTION B-B



ACCESSORIES:

1. FAN BLOWER: TCF TCBI 15
2. ALL-IN-ONE CONTROLS (460V/15HP)
3. FAN OUTLET DAMPER
4. IN-LINE DAMPER - 20"
5. DRUM LID LATCH KIT
6. SPARK TRAP


REV	ECN	DATE	BY	CHK	DESCRIPTION
-	-	-	-	-	-
					
95 Cypress Dr. Youngsville, NC 27597 Phone: 919-570-2862 www.avanienvironmental.com					
DRAWN BY: JX DATE: 10/2/13 CHKD BY: JX DATE: 10/2/13 SHOP NO.: 15812-001 SCALE: 1:40					
TITLE: SDC-AT 3-12 DRAWING NO.: BC 500006				SHEET	ITEM
				1 OF 1	-
				REV.	-



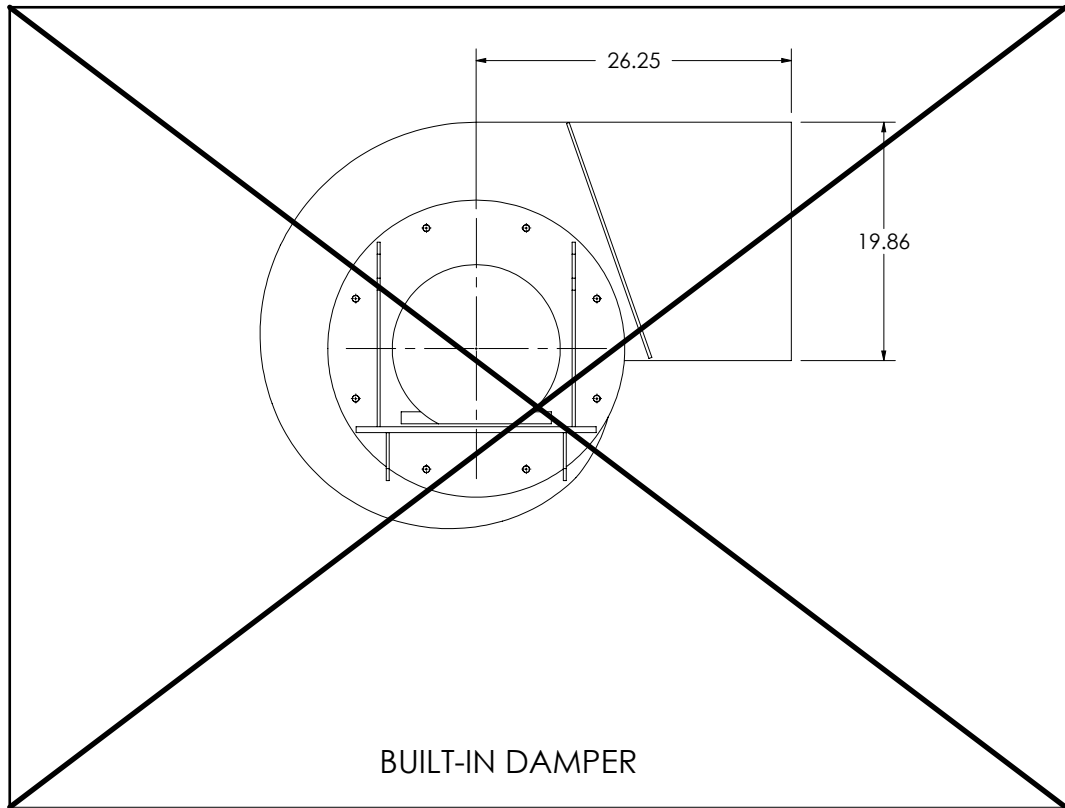
CONNECT THE VALVES TO THE
TERMINALS ON THE TIMERBOARD

TERMINAL	VALVE
1	1
2	2
3	3
4	4
5	5
6	6

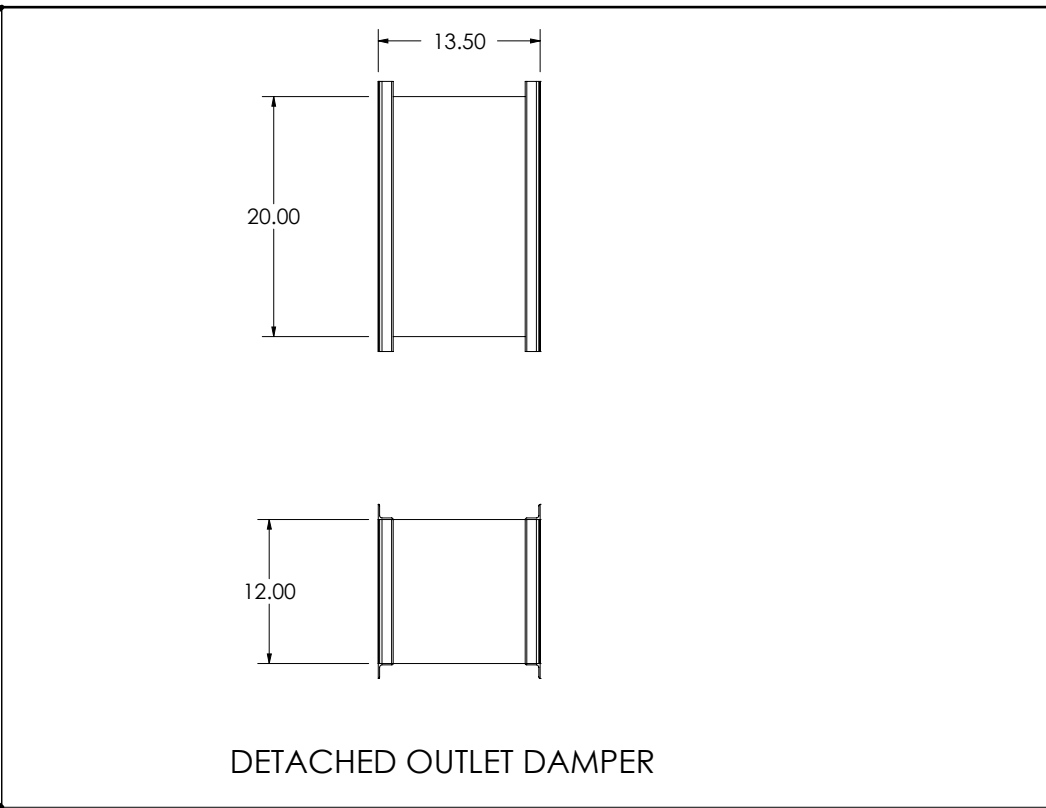
REV	ECN	DATE	BY	CHK	DESCRIPTION
-	-	-	-	-	-

	95 Cypress Dr. Youngsville, NC 27597 Phone: 919-570-2862 www.avanienvironmental.com		
	TITLE SDC-AT 3-12 DIAPHRAGM VALVE LOCATIONS		
DRAWING NO. BC 500030	SHEET 1 OF 1	ITEM -	REV. -

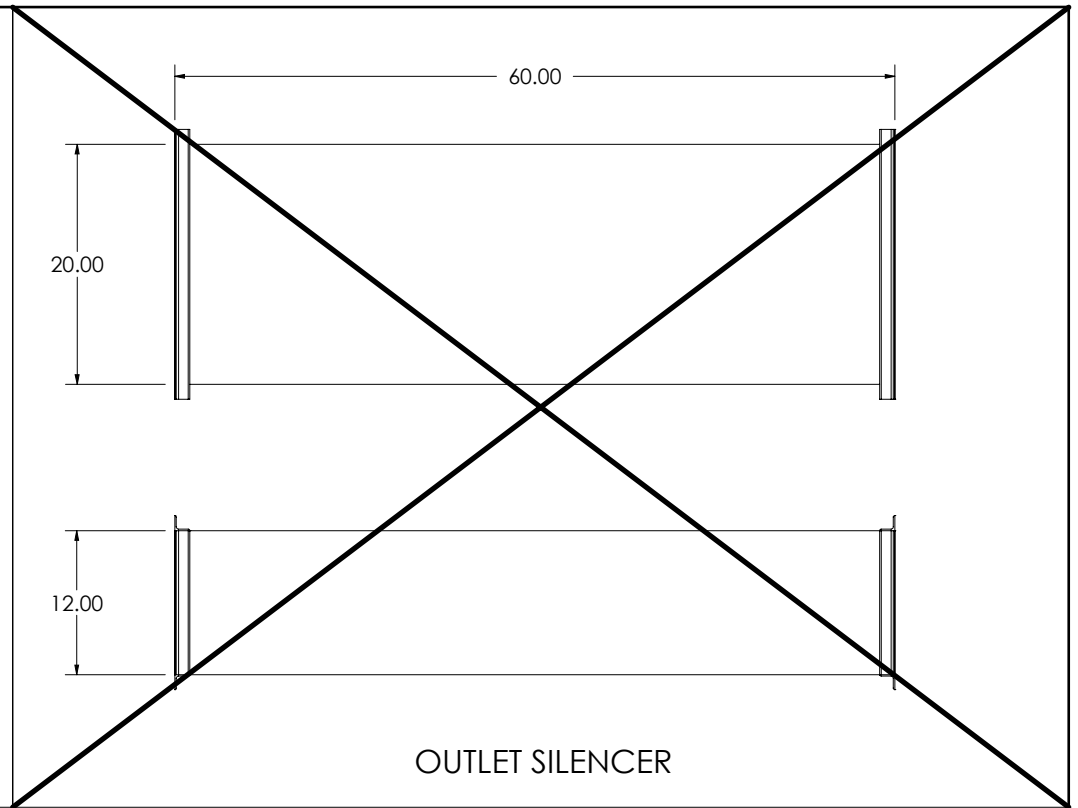
DRAWN BY	JX
DATE	10/2/13
CHKD BY	-
DATE	-
SHOP NO.	-
SCALE	1:15



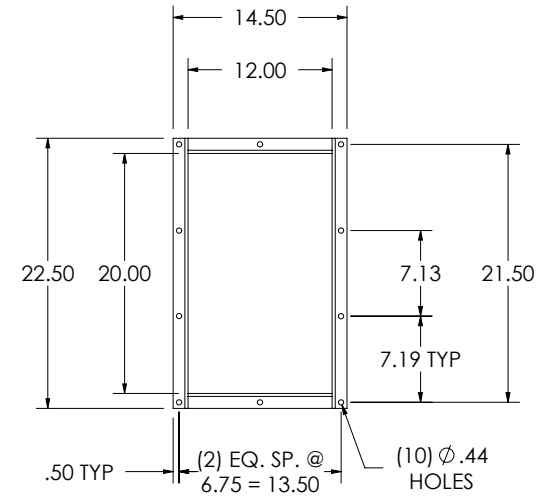
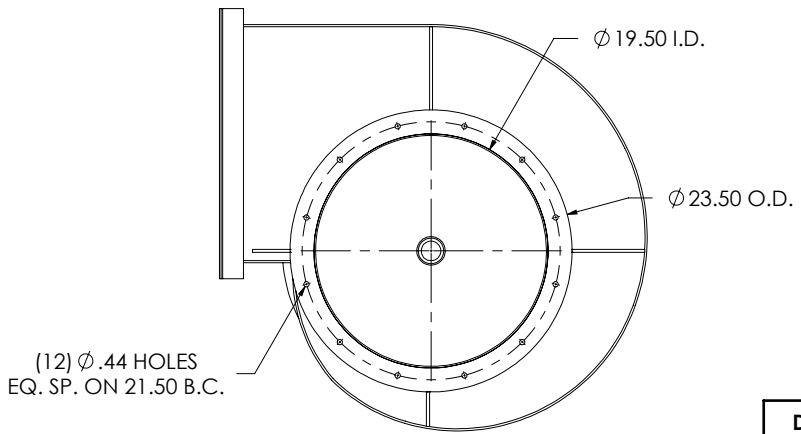
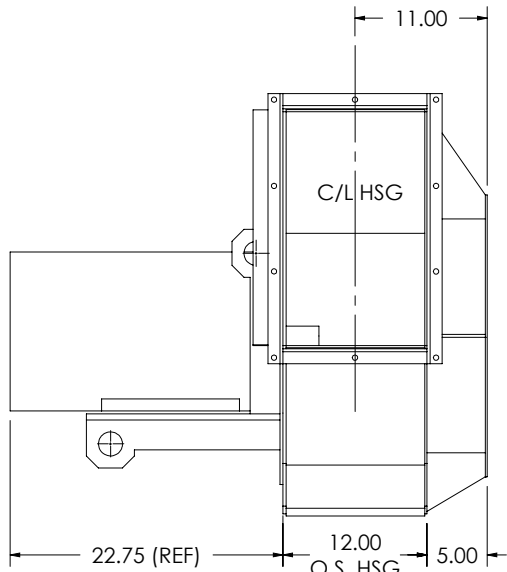
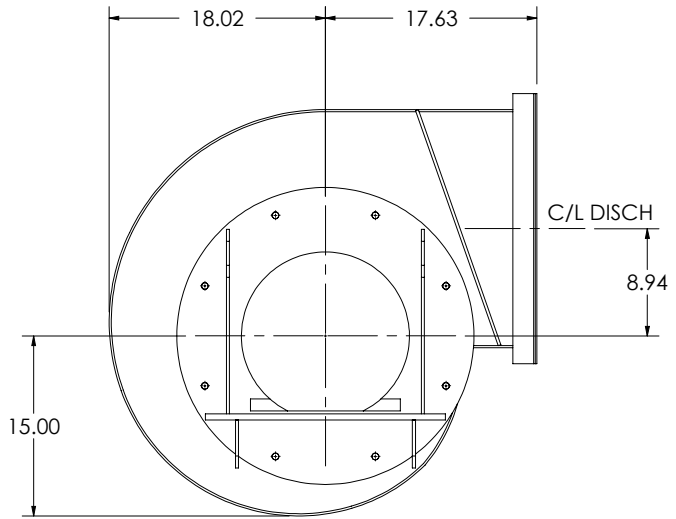
BUILT-IN DAMPER



DETACHED OUTLET DAMPER



OUTLET SILENCER



FLANGE DETAIL

NOTES:
1. "CW" ROTATION SHOWN. "CCW" ROTATION SIMILAR BUT OPPOSITE.

THE INFORMATION SHOWN ON THIS DRAWING IS THE EXCLUSIVE PROPERTY OF AVANI ENVIRONMENTAL. IT IS NOT TO BE USED FOR ANY PURPOSE OR ITS CONTENTS DISCLOSED WITHOUT OUR WRITTEN CONSENT.

DESCRIPTION	APPROX. WT (LBS)
FAN	617
DAMPER	81
SILENCER	122
BUILT-IN DAMPER	TBD

REV	ECN	DATE	BY	CHK	DESCRIPTION
A	-	3/17/15	JX	-	ADD WEIGHTS

avani environmental
 95 Cypress Dr.
 Youngsville, NC 27597
 Phone: 919-570-2862
 www.avanienvironmental.com

DRAWN BY	JX
DATE	8/15/13
CHKD BY	JX
DATE	8/15/13
SHOP NO.	15812-001
TOLERANCES UNLESS OTHERWISE SPECIFIED	
DECIMALS: .X ± .05 .XX ± .010 .XXX ± .005	
FRACTIONS: ± 1/64	
ANGULAR: ± 1 DEG	
ALL DIMENSIONS IN INCHES UNLESS OTHERWISE SPECIFIED	
SCALE	1:16

TITLE	DRAWING NO.	SHEET	ITEM	REV.
TCF 15 TCBI FAN W/ ACCESSORIES	BC 500052	1 OF 1	-	A