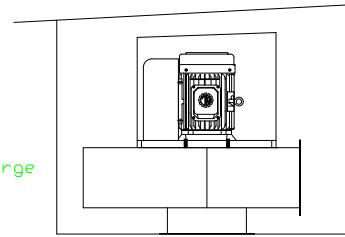
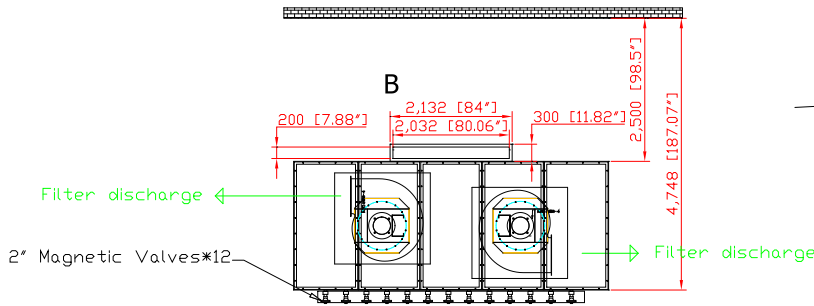


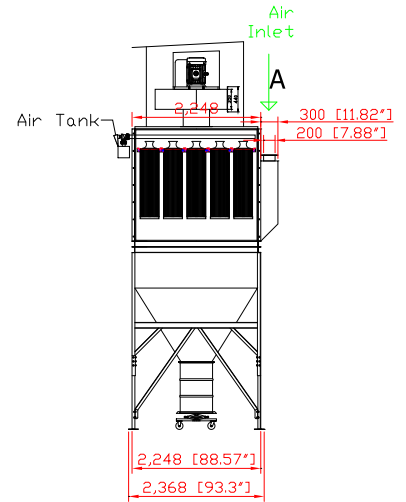
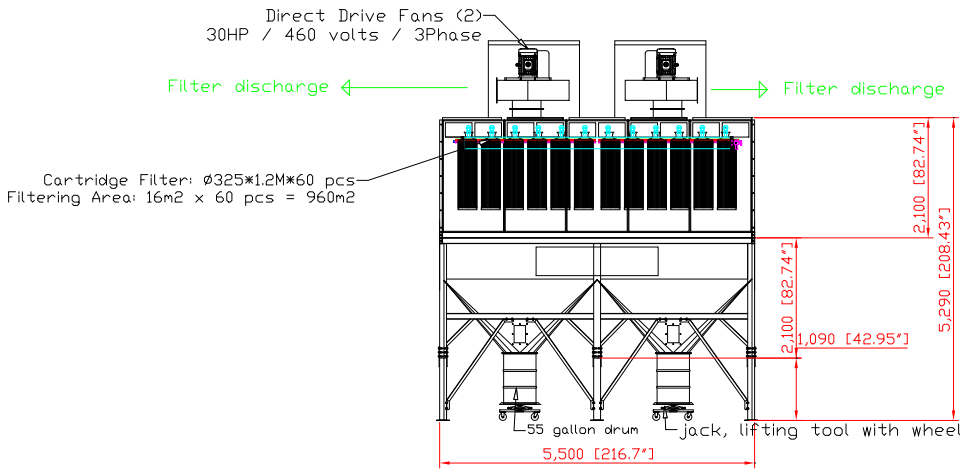
DO NOT SCALE IF IN DOUBT ASK



Revisions			
Rev	Description	Date	Approved



View A



OSKAR AIR PRODUCTS, INC.  
95 Cypress Drive  
Youngsville, NC 27596

Sales Department  
(919) 570-2862  
sales@oskarsales.com

	Date	Name	Part Number:
Drawn by:	XX-XX-XX	XXXXX	SV-6000
Checked by:			

This drawing is confidential and is the exclusive property of Oskar Air Products. No unauthorized use/copy or disclosure is to be made and it is returned whenever required.

Title: Cartridge Collector

Size <b>A</b>	Scale 1 = 1	Drawing Number: SV-6000-06
------------------	----------------	-------------------------------