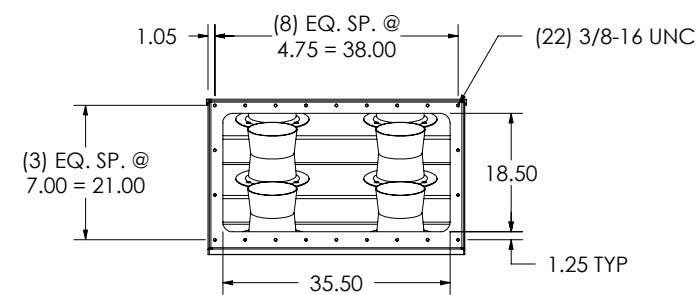
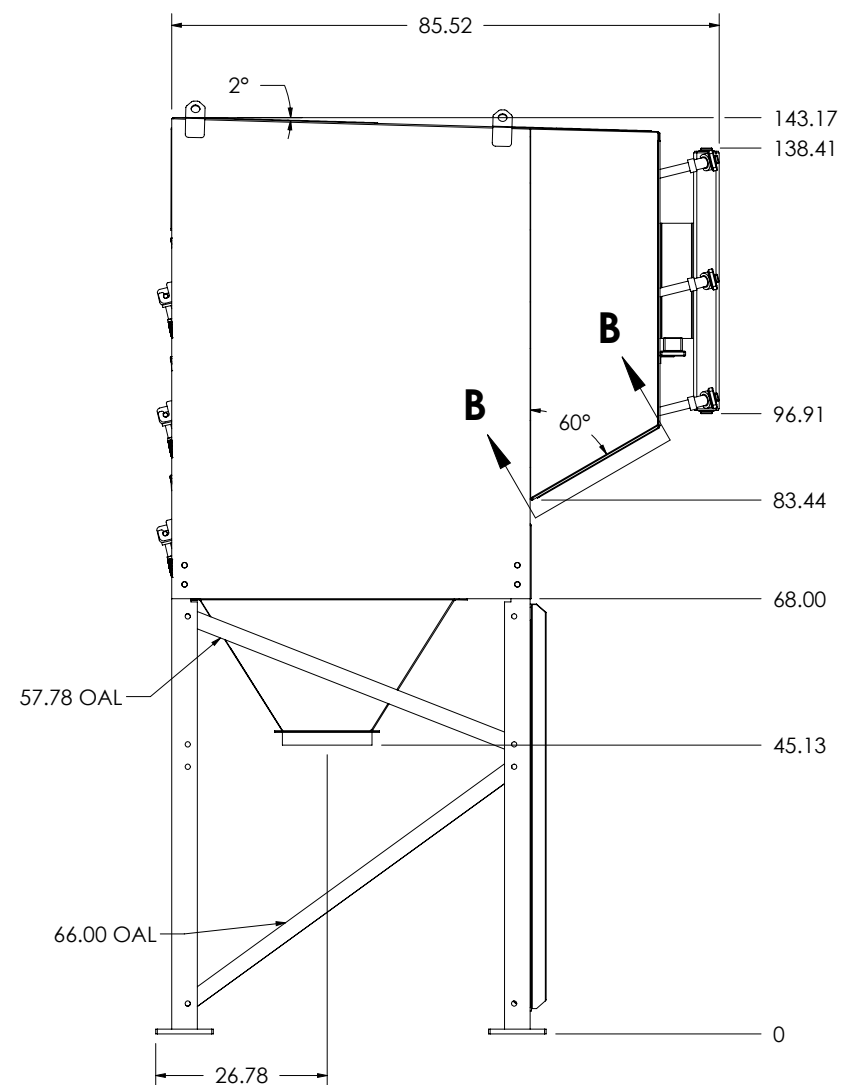
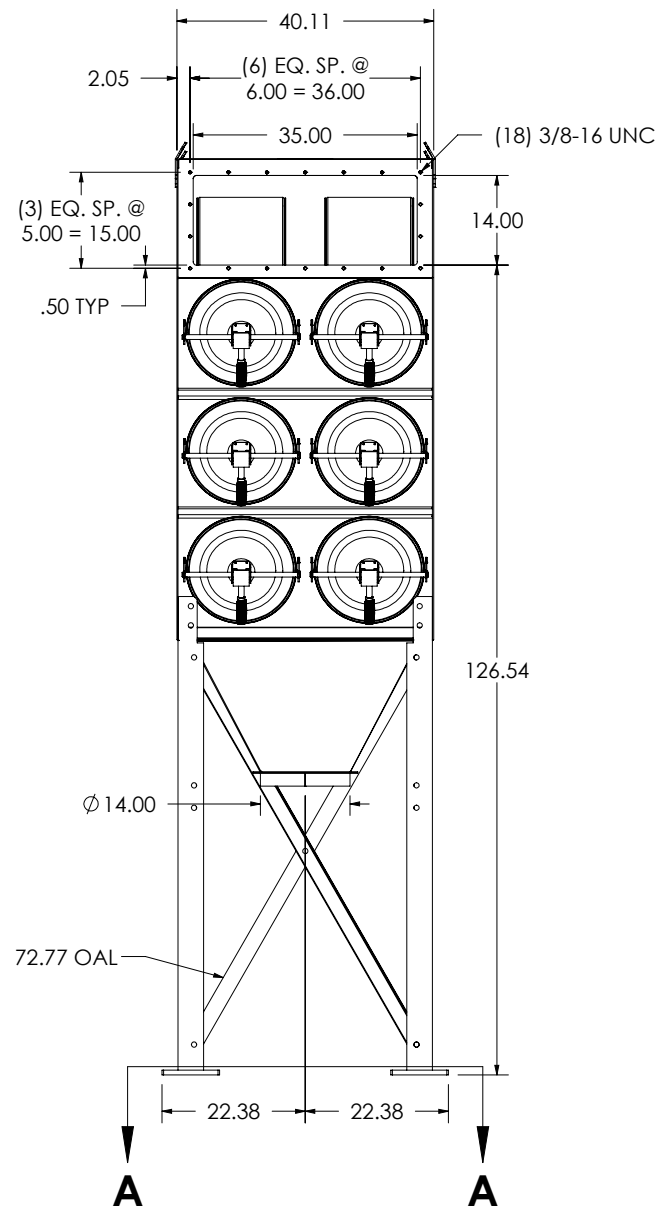
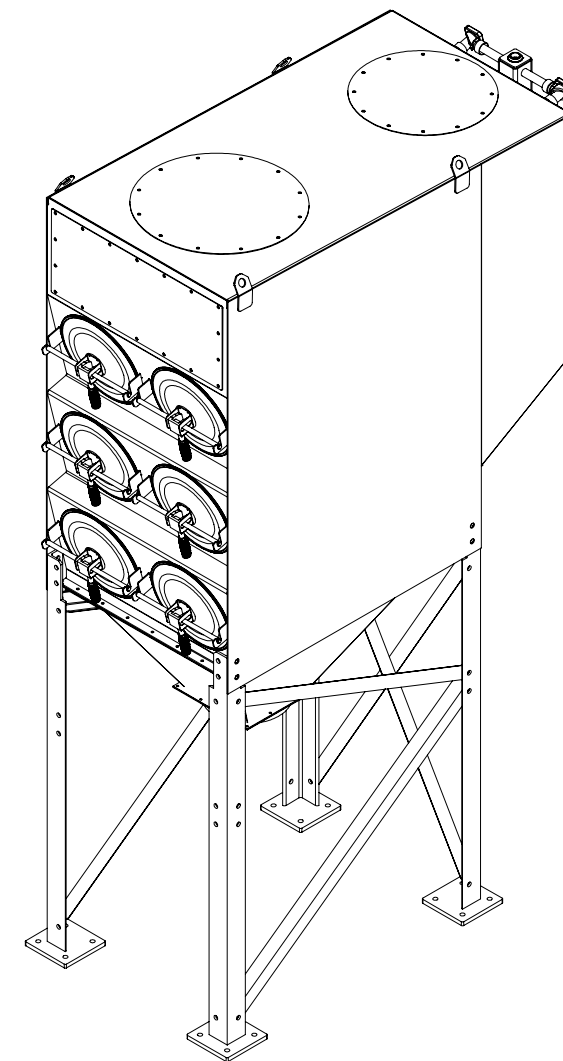


SECTION A-A



SECTION B-B




TCBI FAN SIZE	A	B
3	14.00	15.81
5-10	16.00	17.50
15-20	20.00	21.50
25-30	22.00	23.50

ACCESSORIES:

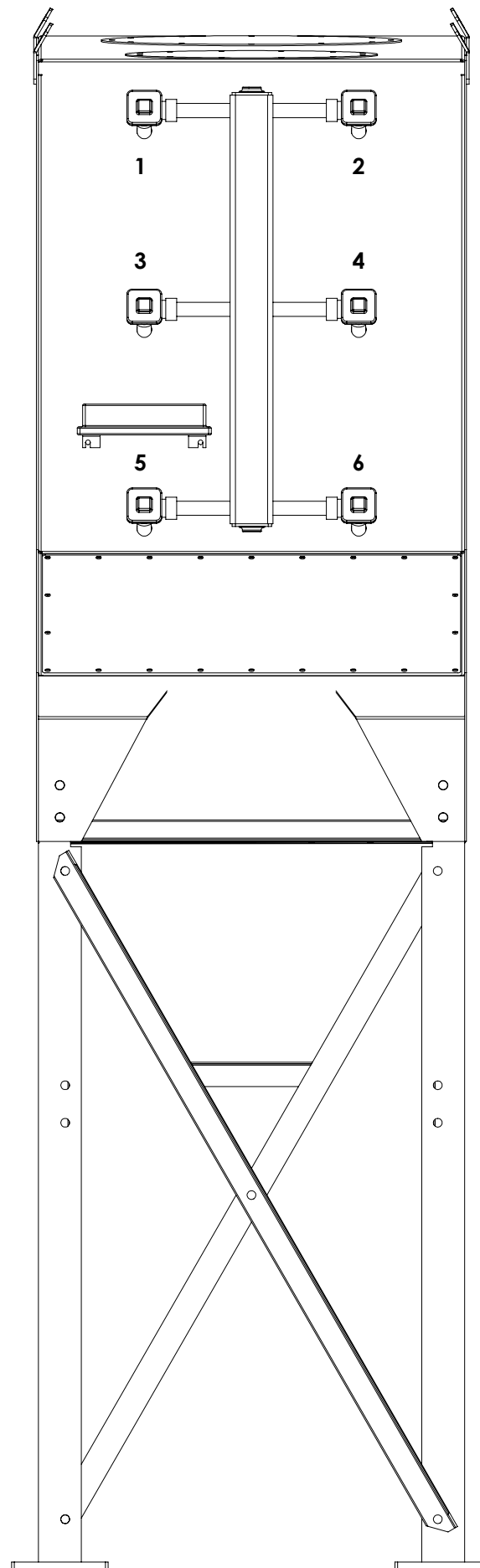
1. FAN BLOWER: TCF TCBI 7.5
2. ALL-IN-ONE CONTROLS (7.5 HP/460V)
3. FAN OUTLET DAMPER & SILENCER
4. HEPA AFTER FILTER PLENUM
5. IN-LINE SPARK TRAP - 12"

NOTES:

1. COLLECTOR APPROX. WT: 2,350 LBS

REV	ECN	DATE	BY	CHK	DESCRIPTION
-	-	-	-	-	-
 95 Cypress Dr. Youngsville, NC 27597 Phone: 919-570-2862 www.avanienvironmental.com					
TITLE SDC-AT 3-12					
DRAWING NO. BC 500006			SHEET 1 OF 1	ITEM -	REV. -


DRAWN BY JX
DATE 10/2/13
CHKD BY JX
DATE 10/2/13
SHOP NO. 15807-001
SCALE 1:30



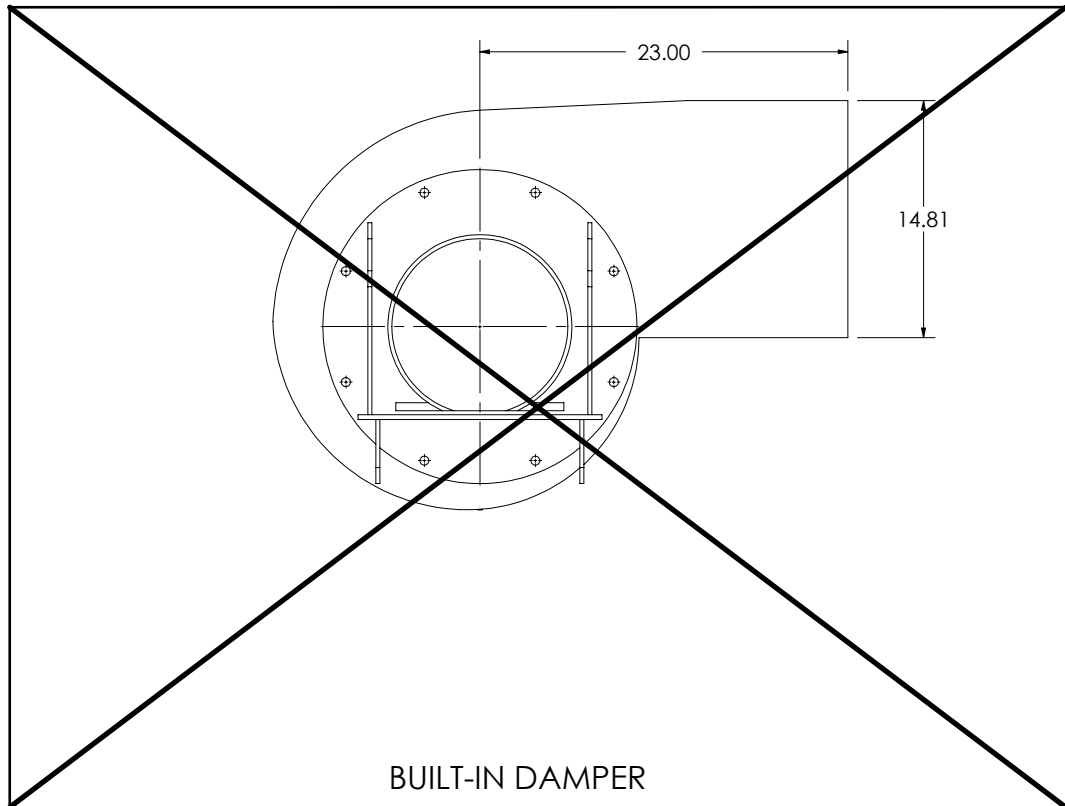
CONNECT THE VALVES TO THE
TERMINALS ON THE TIMERBOARD

TERMINAL	VALVE
1	1
2	2
3	3
4	4
5	5
6	6

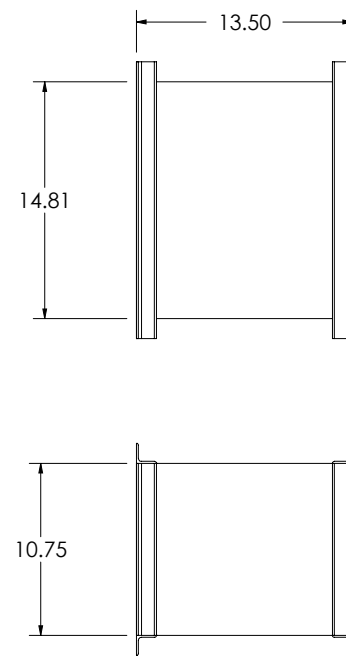
REV	ECN	DATE	BY	CHK	DESCRIPTION
-	-	-	-	-	-

	95 Cypress Dr. Youngsville, NC 27597 Phone: 919-570-2862 www.avanienvironmental.com		
	TITLE SDC-AT 3-12 DIAPHRAGM VALVE LOCATIONS		
DRAWING NO. BC 500030	SHEET 1 OF 1	ITEM -	REV. -

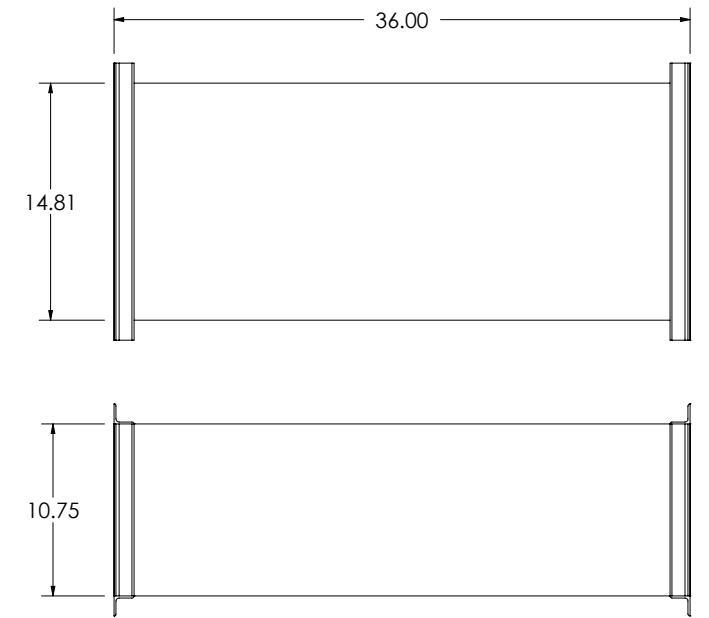
DRAWN BY	JX
DATE	10/2/13
CHKD BY	-
DATE	-
SHOP NO.	-
SCALE	1:15



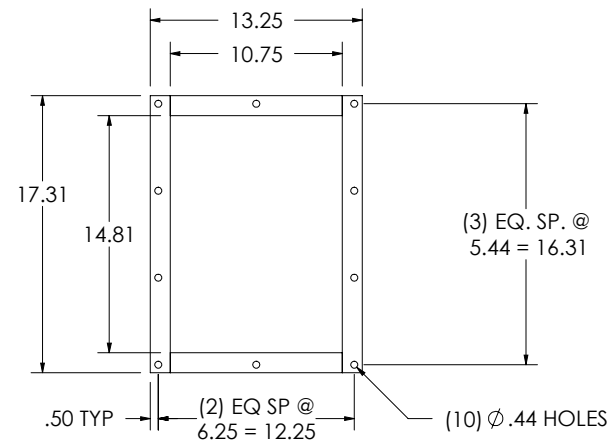
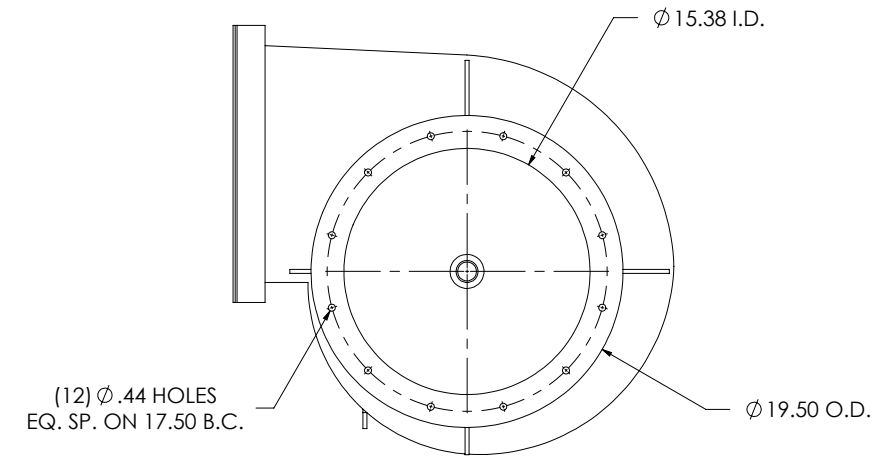
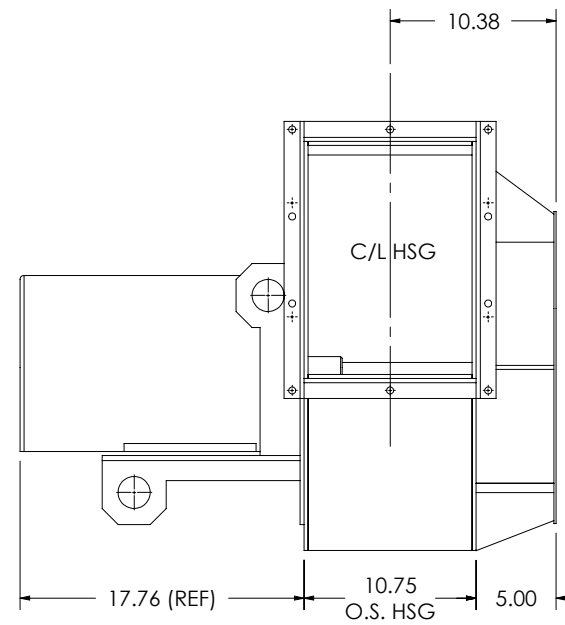
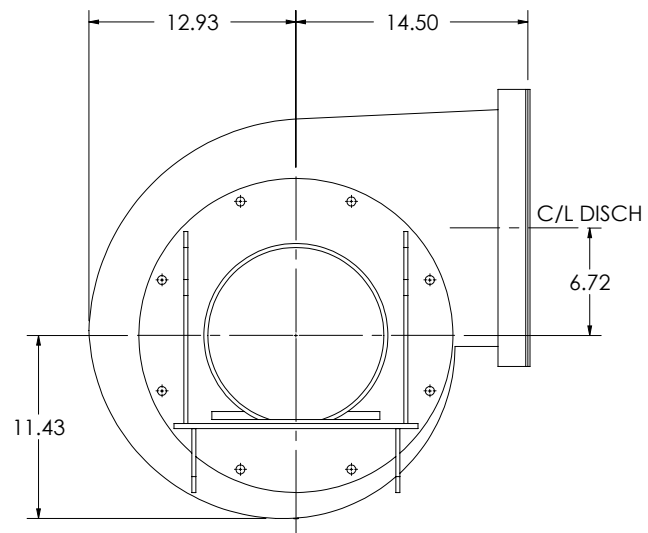
BUILT-IN DAMPER



DETACHED OUTLET DAMPER



OUTLET SILENCER



FLANGE DETAIL

NOTES:
1. "CW" ROTATION SHOWN. "CCW" ROTATION SIMILAR BUT OPPOSITE.

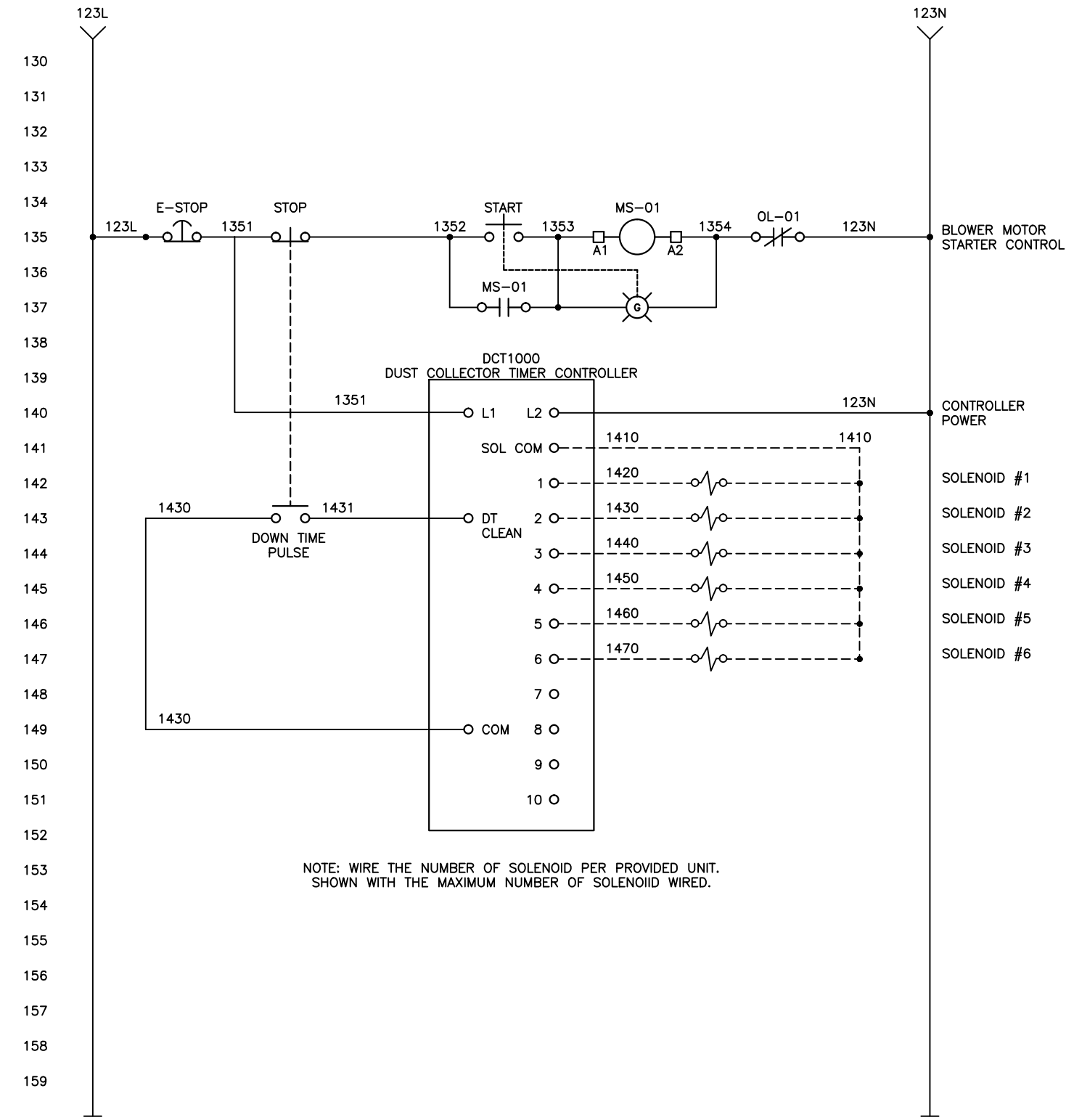
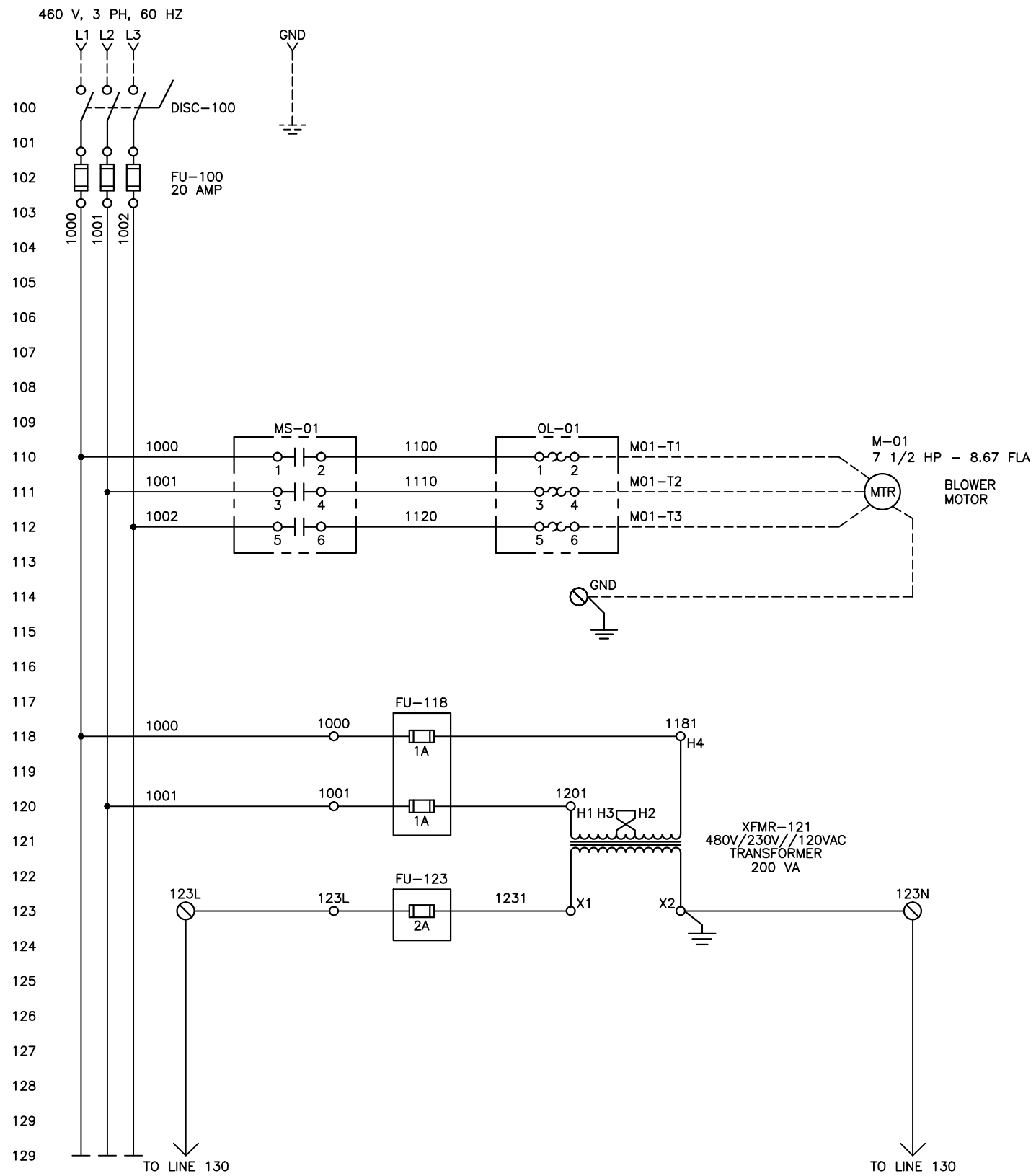
REV	ECN	DATE	BY	CHK	DESCRIPTION
A	-	10/30/13	JX	-	REVISED FLANGE HOLE PATTERN



95 Cypress Dr.
Youngsville, NC 27597
Phone: 919-570-2862
www.avanienvironmental.com

DRAWN BY	JX
DATE	7/24/13
CHKD BY	JX
DATE	7/24/13
SHOP NO.	15807-001
SCALE	1:12

TITLE	TCF 7.5 TCBI FAN W/ ACCESSORIES		
DRAWING NO.	BC 500050	SHEET	1 OF 1
ITEM	-	REV.	A



NOTE: WIRE THE NUMBER OF SOLENOID PER PROVIDED UNIT. SHOWN WITH THE MAXIMUM NUMBER OF SOLENOID WIRED.

THIS DRAWING IS CONFIDENTIAL PROPERTY OF ENGINEERING FIRM. DO NOT DUPLICATE IN ANY TYPE WITHOUT PROPER WRITTEN PERMISSION. IF YOU ARE NOT THE INTENDED CLIENT PLEASE DESTROY THIS DOCUMENT.			DUST COLLECTOR BLOWER PACKAGE 480VAC, 3 PHASE - 7 1/2 HP WITH DUST COLLECTOR TIMER CONTROLLER		
REV.	DESCRIPTION	DATE	FILE PATH: c:\clients\	CLIENT	PLOT DATE: 01/01/04
1	CREATED	7/28/08		AVANI	
			DRAWN BY: ECS	DATE: 7/28/08	DRAWING NUMBER
			CHECKED BY: ECS	DATE: 7/28/08	7 1/2 HP
			DRAWING SCALE: NONE	PROJECT NUMBER	100