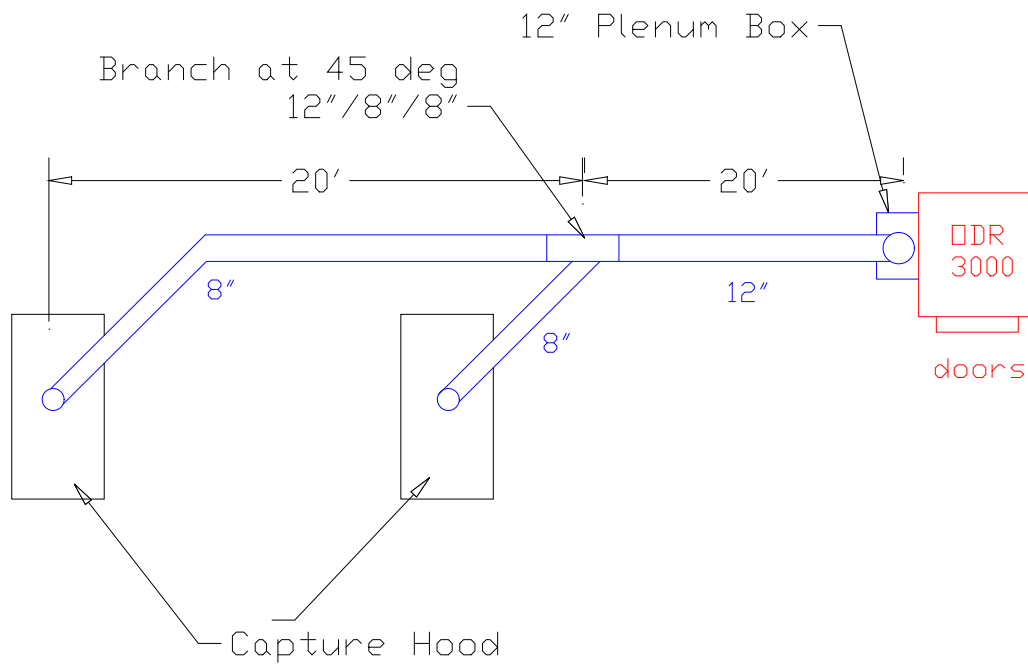


Ductwork Layout for Line 8 Plan View



Note:

- A) DDR 3000 will have a Firetrace system in it.
- B) Bottom of ductwork about 15' off of the floor
- C) Absolent exhaust air into room

Industrial Air Quality		IAQ
102 AG DRIVE Youngsville, NC 27596		
P# 919-562-7181 F# 919-562-7182		
Project: Alcoa		
Drawing: Ductwork layout		
Date: 4/4/08		Drawn by: RAV
Sheet No:		