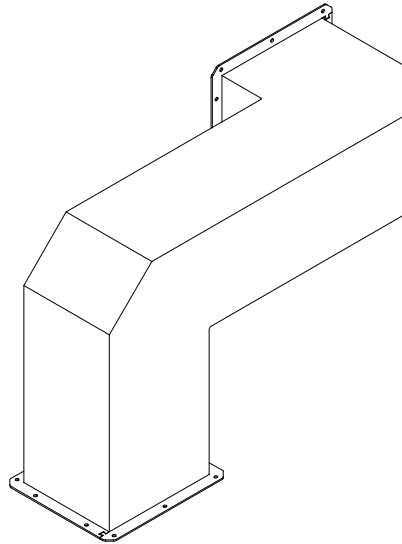
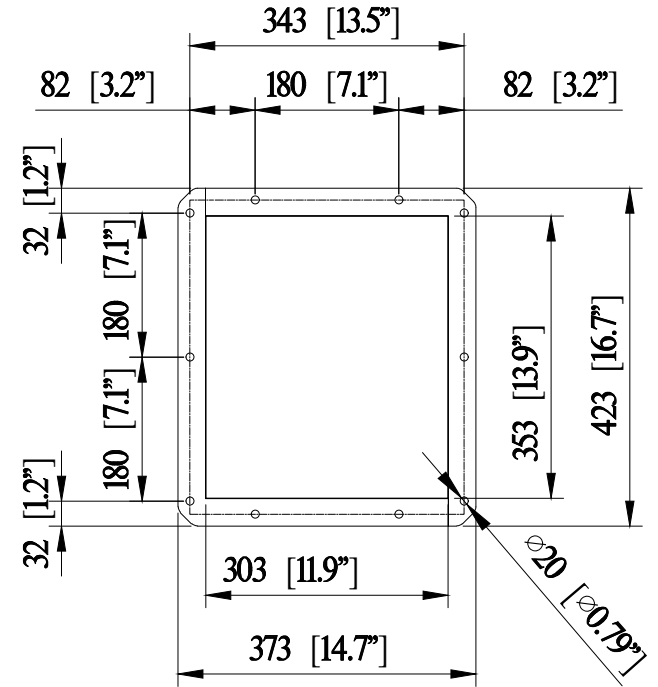


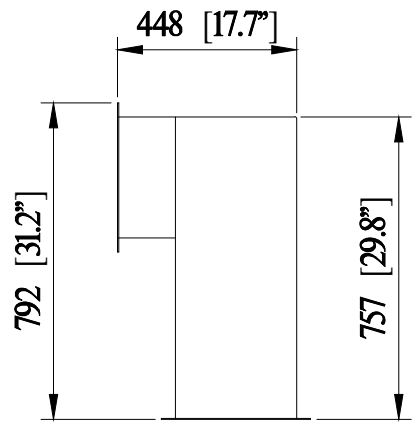
Top View



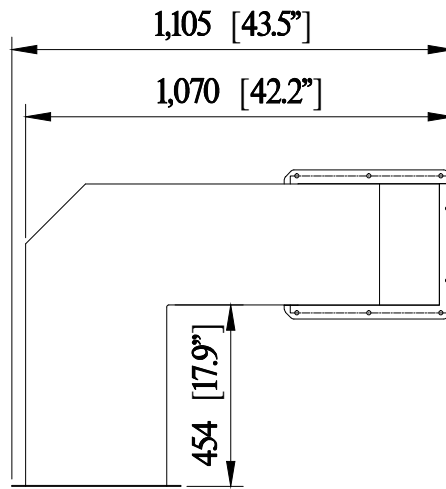
Isometric View



Flange View



Front View



Side View

Thicknesses:
 Flange - 9 GA
 Duct - 17 GA