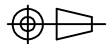
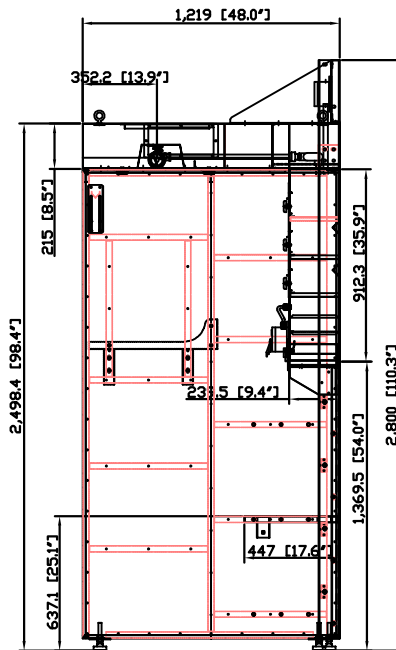
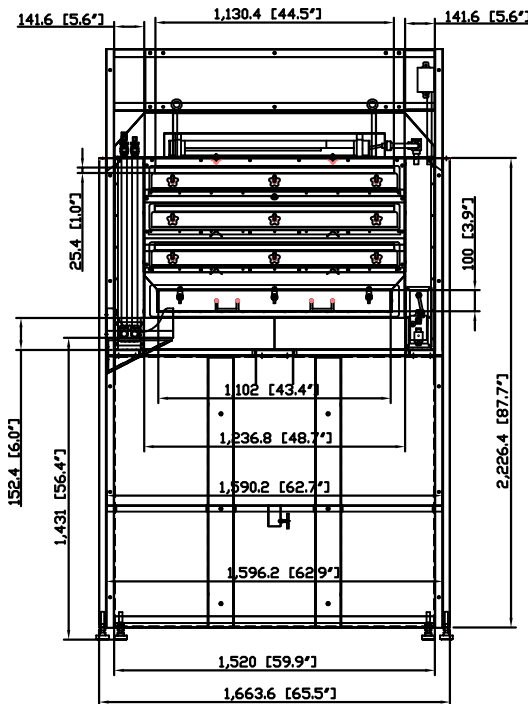
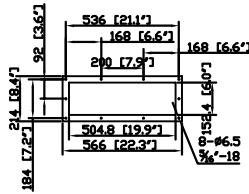
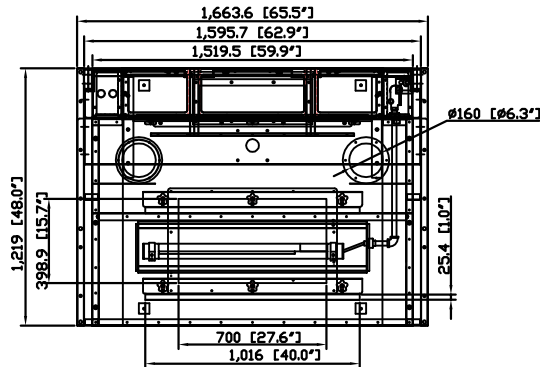


DO NOT SCALE

IF IN DOUBT ASK



Revisions			
Rev	Description	Date	Approved



**WB-6054 PREMIER WELDING BOOTH SPECIFICATIONS**

- Hood Dimensions: 60" x 48" x 8.5"
- Back Draft Dimensions: 48.6" x 29.9" x 9.2" (incl. clean out drawer)
- Hood Inlet Opening: 6" x 19.9" (119.4 square inches)
- Hood Service Panel: Removable 27.6" x 15.7" service panel
- Back Draft Adjustable Inlet Slots: (3) 1" x 44.7"
- Hood Adjustable Inlet Slots: (2) 1" x 40"
- Recessed Lights: (1) Explosion Proof Lights (110V, Single Phase, 60 Hz, 20W)
- Adjustable Knobs: (15) 2 1/2 Five Star Twists
- Clean Out Drawer: 3.9" x 43.4" (ID) with (3) hand twist locks
- Back Draft Shelf: 6" x 48.7"
- Adjustable Level System: (6) 2 1/2 Feet (maximum adjustment 5")
- Support Structure: 1 1/2 x 4" steel stock welded
- Panel Construction: 14-gauge welded steel single wall with cross and up bracing
- Welding Curtain Supports: (2) adjustable welding curtain brackets
- Lifting Lugs: (4) Hood mounted lifting lugs to set and move hood or booth
- Fume Arm Ceiling Supports & Brackets: Built into the hood
- Fume Arm Cover Plates: (2) cover plates (6 bolt pattern) to match optional dia. 6" fume arm
- Powder Coated: Avani Safety Blue Standard (custom colors available)
- Five Piece Configuration: (2) side panels, (1) back panel, (1) backdraft assembly, (1) hooddraft assembly
- Booths can be mounted back-to-back, side-by-side or both options
- Electrical Outlets: (2) 110V Outlets (additional single or three phase outlets available)
- Light Switch: For overhead lights
- Compressed Air Connection
- CO2 or Gas Connection: (additional gas lines or compressed lines available)
- Double Wall Construction (welded)
- \*\*\*CO2 bracket
- \*\*\*Adjustable Rear Shelf: 62.7"W x 17.6"D x 1.1"H (solid with 2" hole drilled)

**OPTIONS**

- Welded Nuts: Optional locations for J-Hooks
- Welding Nuts: For wire feeder or welder bracket
- Adjustable Rear Shelf (solid, grated or cutting table)
- Corner Shelves
- Viewing Windows
- Custom Welding Brackets
- Foot Lockers
- Fixtures, Lazy Suzans
- Any option that can fit inside the booth or on the booth

AVANI ENVIRONMENTAL INTL. INC. Sales Department  
 95 Cypress Drive (919) 570-2862  
 Youngsville, NC 27596 info@avanienvironmental.com

	Date	Name	Part Number:	Title:
Drawn by:	2011-11-08	***	**	WB-6054
Checked by:	2011-01-17			

The drawings, AutoCAD, 3-D Models, and specifications are the property of Avani Environmental Intl. Inc. (AE) and may not be reproduced, distributed, modified, or otherwise used, except provided herein, without the express written permission of AE.

Size	Scale	Drawing Number:
<b>A</b>	1 = 35	WB-5-4P standard