



REPRESENTED BY:

TODD AIR SOLUTIONS  
101 E FISHER ST, 3rd FLOOR  
SALISBURY NC 28144  
Phone: 704 630-1101  
Fax: 704 630-0528

DRAWING SUBMITTAL

CUSTOMER:

AVANI ENVIRONMENTAL  
PO BOX 1279  
YOUNGSVILLE, NC 27596

DATE: 11/16/2011

ATTENTION: Mr. Bob Venezia

P.O. # 3785

CFV # 1114507

REPRESENTATIVE ORDER # CFQ# 198103

  X   REFERENCE             APPROVAL             CORRECTION

QTY.	DRAWING NO.	DESCRIPTION
	- - - -	SPECIFICATION SHEET
	1114507	MODEL HDBI-330
	17110-330	DISCHARGE DAMPER
	27205	INLET FLANGE
	26S1114507	INLET BOX

REMARKS: 2D CAD FILE ALSO INCLUDED.



**SPECIFICATION SHEET**

CFV NO. <b>1114507</b>	CUSTOMER ID NUMBER <b>3566220</b>	PAGE <b>1</b>	
SOLD <b>AVANI ENVIRONMENTAL PO BOX 1279 YOUNGSVILLE, NC 27596</b>		SHIP TO <b>PPL 533671-C 100 COMMERCE DR. HAZLE TOWNSHIP, PA 18202</b>	
	CUSTOMER P.O. NUMBER <b>3785</b>	BUYER <b>Mr. Bob Venezia</b>	REQUESTED SHIP DATE <b>12/12/11</b>

MARKS

Attn: Ed Zipp PO 11678680DS

Ship Inst: Call AFS 1-866-533-2111

SHIP VIA <b>CALL CUST FOR CARRIER</b>		REPRESENTATIVE <b>TODD AIR SOLUTIONS</b>			REP. ORDER NO. <b>CFQ# 198103</b>		SHIPPING CHARGES <b>Bill 'Ship-To'</b>		
QTY. <b>1</b>	DESCRIPTION <b>HEAVY DUTY BI BLOWER</b>	MODEL <b>HDBI-330 CW</b>	ROT <b>UB</b>	DISCH <b>4</b>	ARR <b>HDBI 80%</b>	WHEEL/PROP	INLET		
MOTOR DATA	HP <b>50</b>	RPM <b>1750</b>	PH <b>3</b>	CYCLE <b>60</b>	VOLTAGE <b>230/460V</b>	FRAME <b>326T</b>	ENCLOSURE <b>TEFC</b>	SUPPLIED BY <b>CFV</b>	INSTALLED BY <b>CFV</b>
	SPECIAL MOTOR FEATURES <b>377302B</b>						GROOVES	FXD/ADJ	BELT
FAN DATA	DENSITY	TEMP.	ALTITUDE	CFM	SP	RPM	BHP	MOTOR SHEAVE	BUSHING
AT OPERATING CONDITIONS	<b>.075</b>	<b>70 °F.</b>		<b>20000</b>	<b>10.000</b>	<b>1750</b>	<b>45.800</b>		
MOTOR VENDOR MODEL NUMBER <b>EM4115T</b>							FAN SHEAVE	BUSHING	

2D CAD Drawings, Record Print

Complete Motor Description:

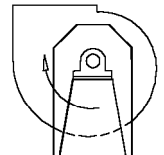
MTR, 50 HP, 1750 RPM, 3PH, 60Hz, 230/460V, TEFC, Prem Eff, FM, 326T, 1.15 SF, F Insul., 40C Amb., F1 Box, All C.I. frame, Baldor

Maximum allowable wheel speed at 70°F is 2300 RPM

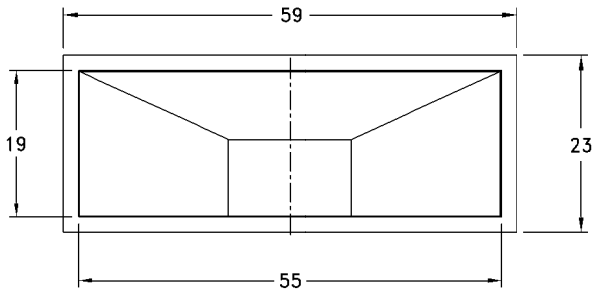
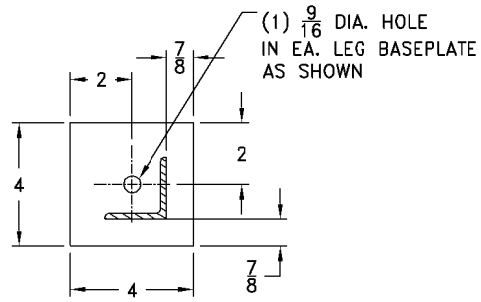
- Estimated Shipping Weight: 2198 pounds
- CLASS II/III/IV WHEEL CONSTRUCTION
- PAINT DAMPER SAME AS FAN
- MANUAL CONTROLLED OPPOSED BLADE DISCHARGE DAMPER
- DRILL DISCHARGE FLANGE STANDARD
- DRILL INLET FLANGE STANDARD BOLT CIRCLE ON-CENTERS
- BOLTED INSPECTION DOOR AT 3 O'CLOCK
- DRAIN
- TEFLON SHAFT SEAL
- Avani Blue PAINT INCLUDING DAMPER AND INLET BOX

Extra Parts:  
INLET BOX  
inlet at 12:00 (Vertical)

Submittal Email: [bvenezia@avanienvironmental.com](mailto:bvenezia@avanienvironmental.com)



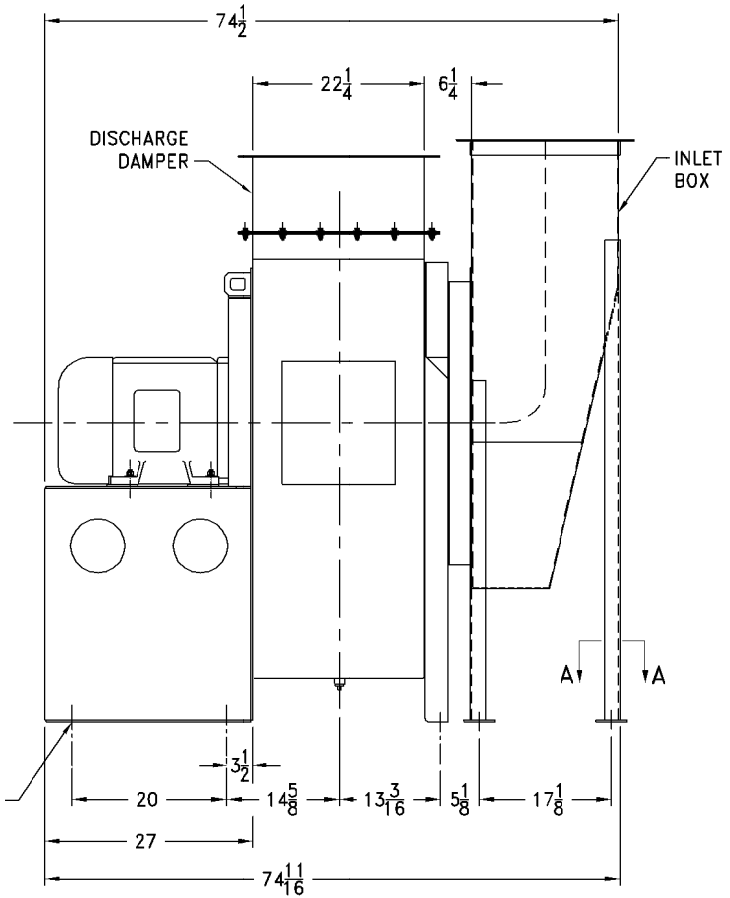
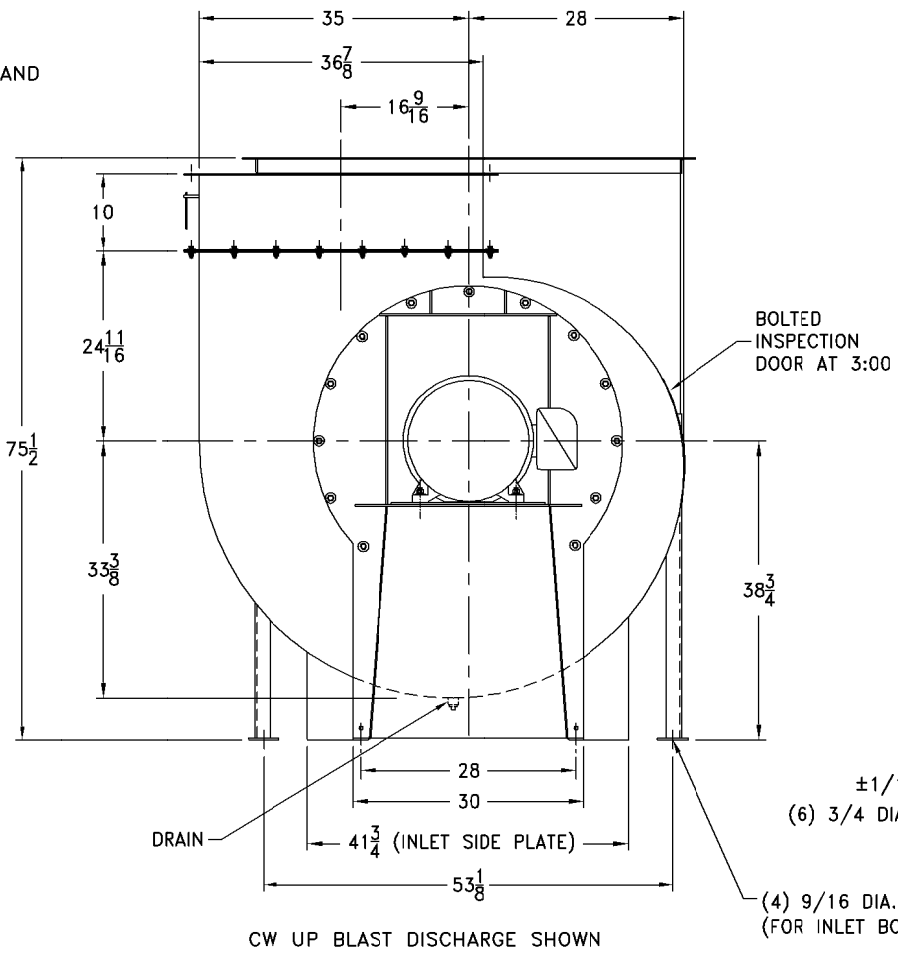
CW UB



INLET BOX  
TOP VIEW

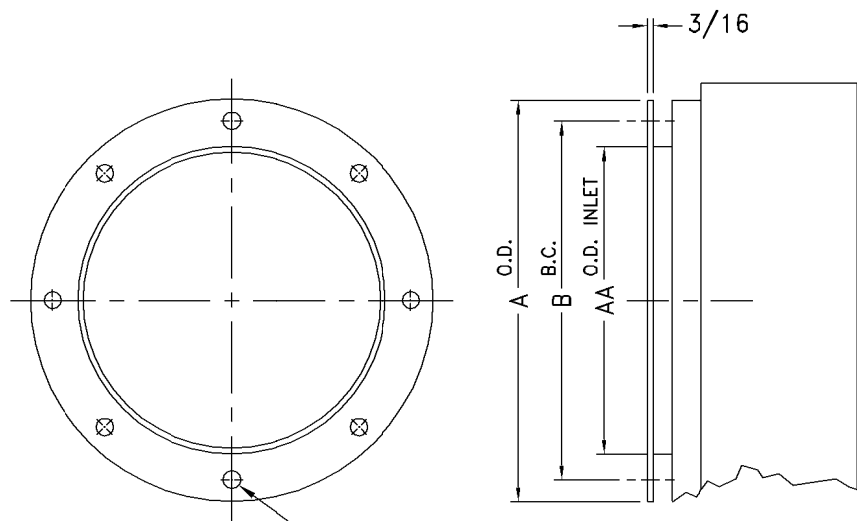
- NOTES:
1. MOTOR: 50 HP, 1750 RPM, 326T FRAME, TEFC.
  2. SEE DWG. A27205 FOR INLET FLANGE.
  3. SEE DWG. A17110-330 DISCHARGE DAMPER.
  4. SEE DWG. 26S1114507 FOR INLET BOX.
  5. CLASS II/III/IV 80% WIDTH WHEEL CONSTRUCTION.
  6. TEFLON SHAFT SEAL.

SECTION A-A  
SCALE: 4X  
(2) AS SHOWN, (2) OPP. HAND

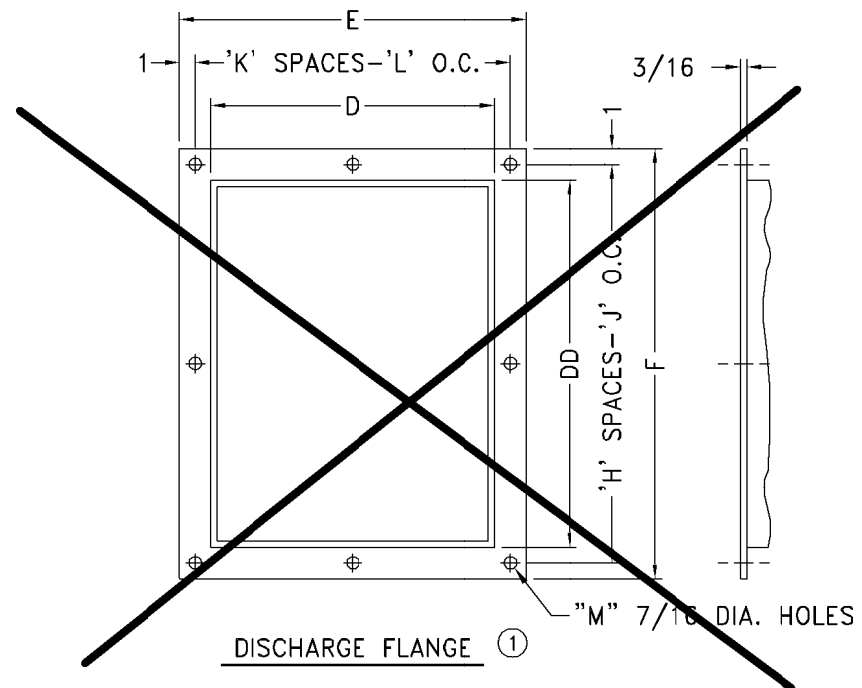


- ±1/16
- (6) 3/4 DIA. HOLES
- (4) 9/16 DIA. HOLES (FOR INLET BOX)

				SUPERSEDES:		TOLERANCES: FRACTIONS ± 1/8 ANGLES: ± 1° DECIMALS: X.XXX = ±0.005 X.XX = ±0.060 X.X = ±0.120 ALL DIMENSIONS IN INCHES UNLESS OTHERWISE SPECIFIED		SCALE: FULL IN CAD DATE: 11/16/11 DR. BY: LG CHK. BY:		 7697 SNIDER ROAD MASON, OHIO 45040 TITLE HDBI-330 ARR. 4 80% WIDTH W/DISCH. DAMPER & INLET BOX FOR AVANI ENVIRONMENTAL	
				SIMILAR TO:		MATERIAL:		ASSEMBLY		DRAWING NO. <b>A</b> 1114507	
NO.	DESCRIPTION	DATE	INITIALS	CERTIFIED						SHEET 1 of 1 REV.	
REVISIONS											



INLET FLANGE "N" HOLES, "P" DIA.



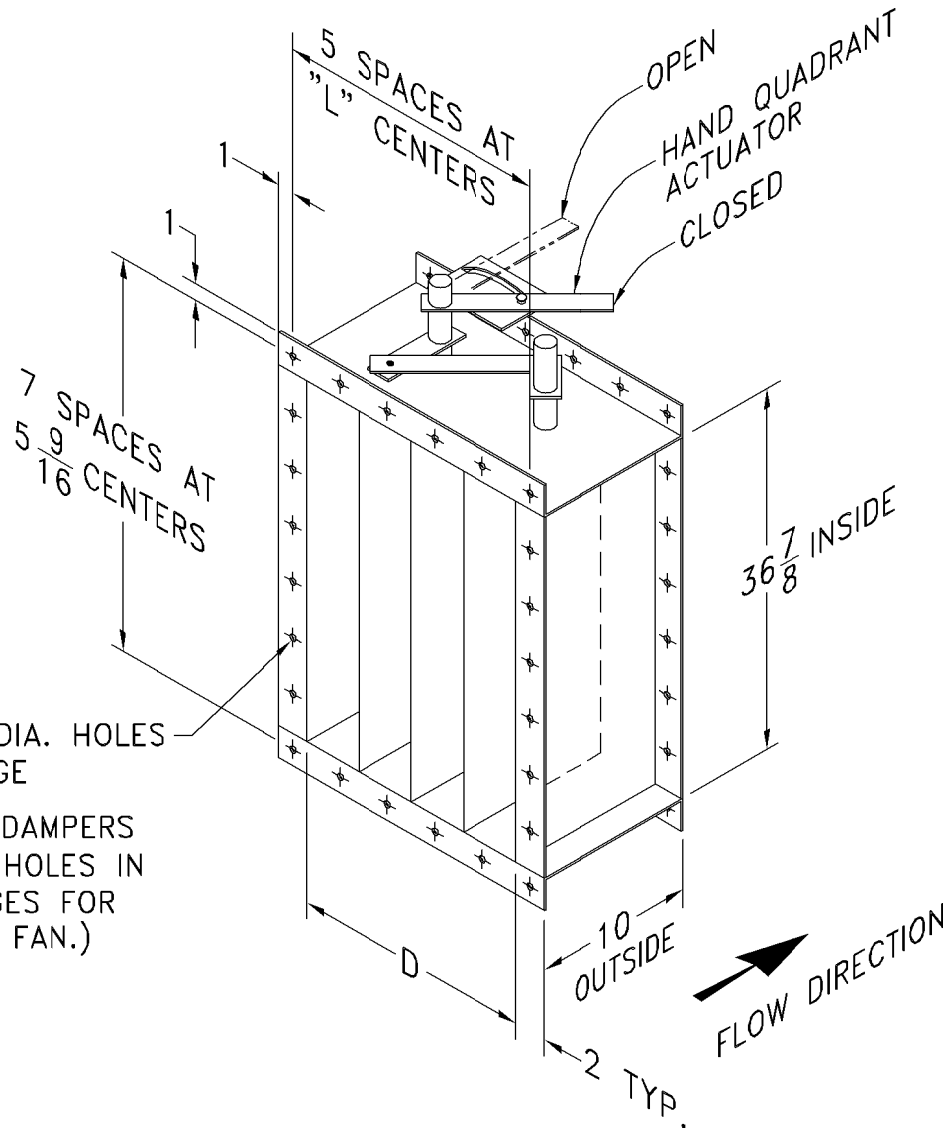
DISCHARGE FLANGE ① "M" 7/16 DIA. HOLES

INLET					
SIZE	A O.D.	B B.C.	N	AA DIA.	P
120	16	14-3/8	8	13-1/4	7/16
130	17-3/4	15-15/16	8	14-5/8	7/16
150	19-1/4	17-1/2	8	16-1/8	7/16
160	21-1/8	19-3/8	8	18	7/16
180	23-1/2	21-1/2	12	20	7/16
200	25-1/2	23-1/2	12	22	7/16
220	28-1/8	26-1/8	12	24-5/8	7/16
240	30-3/4	28-3/4	16	27	7/16
270	33-3/4	31-5/8	16	30	7/16
300	37-1/4	35-1/4	16	33-1/2	7/16
<del>330</del>	<del>40-3/8</del>	<del>38-3/4</del>	<del>16</del>	<del>36-3/4</del>	<del>1/2</del>
360	43-5/8	42	16	40	1/2

DISCHARGE									
D	E	F	H	J	K	L	M	DD	
9-3/8	13-3/8	17-11/16	2	7-27/32	2	5-11/16	8	13-3/4	
10-3/8	14-3/8	19-3/16	2	8-19/32	2	6-3/16	8	15-1/4	
11-3/8	15-3/8	20-3/4	3	6-1/4	2	6-11/16	10	16-13/16	
12-1/2	16-1/2	22-7/16	3	6-13/16	2	7-1/4	10	18-7/16	
13-7/8	17-7/8	24-1/2	3	7-1/2	2	7-15/16	10	20-3/8	
15-1/4	19-1/4	26-3/8	3	8-1/8	3	5-3/4	12	22-3/8	
16-7/8	20-15/16	28-7/8	4	6-23/32	3	6-5/16	14	24-7/8	
18-9/16	22-5/8	31-3/8	4	7-11/32	3	6-7/8	14	27-3/8	
20-7/16	24-1/2	34-1/8	4	8-1/32	3	7-1/2	14	30-1/16	
22-3/4	26-3/4	37-5/8	5	7-1/8	3	8-1/4	16	33-9/16	
<del>24-7/8</del>	<del>28-7/8</del>	<del>40-7/8</del>	<del>7</del>	<del>5-9/16</del>	<del>5</del>	<del>5-3/8</del>	<del>24</del>	<del>36-3/4</del>	
<del>27-1/4</del>	<del>31-1/4</del>	<del>44-1/4</del>	<del>7</del>	<del>6-1/32</del>	<del>5</del>	<del>5-27/32</del>	<del>24</del>	<del>40-1/4</del>	

NOTE:

① NOT AVAILABLE ON ANY MODEL FOR DOWNBLAST, BOTTOM ANGULAR DOWN OR TOP ANGULAR DOWN DISCHARGE POSITIONS. DISCHARGE FLANGE IS STANDARD ON SIZES -270 THRU -360.



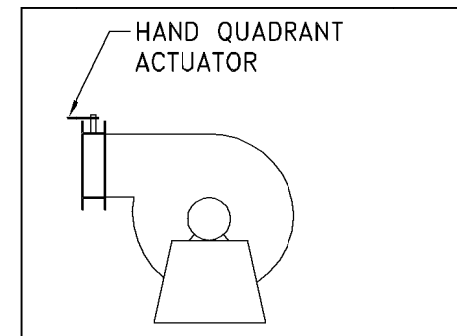
(24) 7/16 DIA. HOLES EACH FLANGE

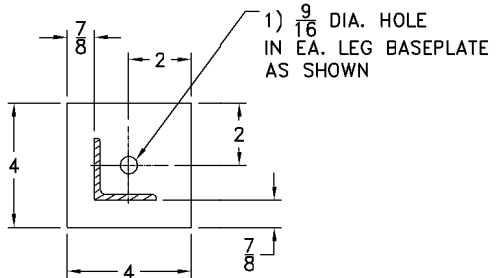
(STANDARD DAMPERS HAVE BOLT HOLES IN BOTH FLANGES FOR BOLTING TO FAN.)

NOTES:

1. OPPOSED BLADE IS STANDARD. □ PARALLEL BLADE IS OPTIONAL.
2. DAMPER BLADES WILL BE PERPENDICULAR TO FAN SHAFT.
3. STANDARD MATERIAL IS CARBON STEEL WITH RUST INHIBITING PRIMER. □ OPTIONAL MATERIAL \_\_\_\_\_.
4. STANDARD CONSTRUCTION MAX. TEMPERATURE: 300° F.  
□ OPTIONAL HIGH TEMPERATURE CONSTRUCTION MAX. TEMPERATURE: 800° F.

	% WIDTH	D	L
	100	24-7/8	5-3/8
	95	24-1/4	5-1/4
	90	23-9/16	5-1/8
	85	22-15/16	5
X	80	22-1/4	4-27/32
	75	21-5/8	4-23/32
	70	20-15/16	4-19/32
	65	20-5/16	4-15/32
	60	19-5/8	4-5/16
	55	19	4-3/16
	50	18-5/16	4-1/16
	45	17-11/16	3-15/16
	40	17-1/16	3-13/16

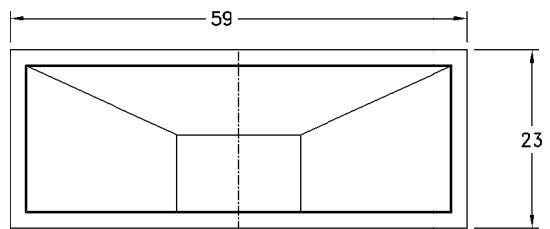




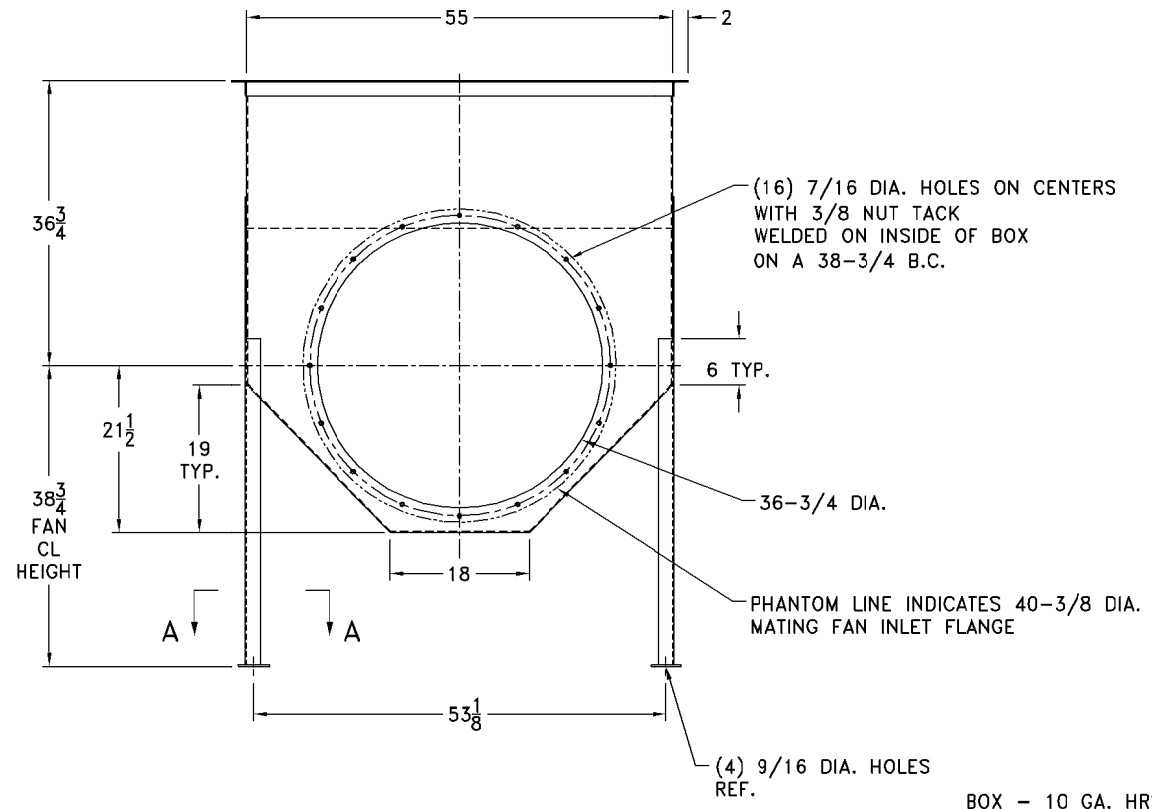
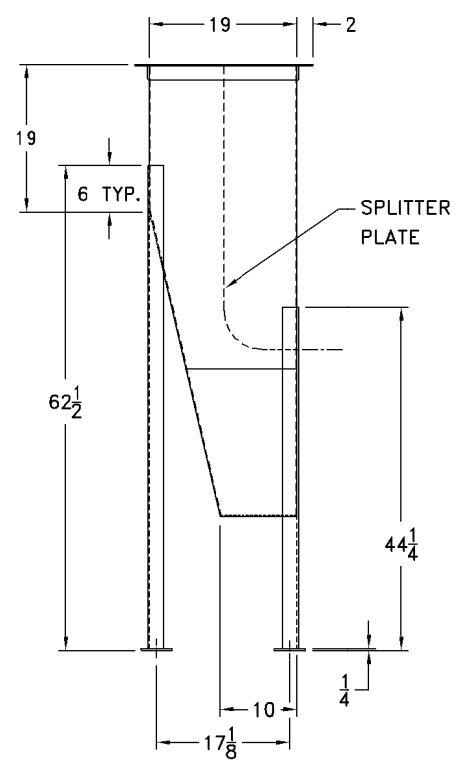
SECTION A-A

SCALE: 4X

(2) AS SHOWN, (2) OPP. HAND



TOP VIEW



BOX - 10 GA. HRS  
LEGS & FLANGE - 2 x 2 x  $\frac{3}{16}$  HRS ANGLE  
LEG BASE PLATE -  $\frac{1}{4}$  HRS

				SUPERSEDES:		TOLERANCES: FRACTIONS $\pm 1/8$ ANGLES: $\pm 1^\circ$ DECIMALS: X.XXX = $\pm 0.005$ X.XX = $\pm 0.060$ X.X = $\pm 0.120$		SCALE: FULL IN CAD		 7697 SNIDER ROAD MASON, OHIO 45040	
				SIMILAR TO: HD330-INLETBOX		ALL DIMENSIONS IN INCHES UNLESS OTHERWISE SPECIFIED		DATE: 11/16/11			
				MATERIAL:		ASSEMBLY		DRAWING NO.		SHEET	
NO. DESCRIPTION DATE INITIALS				CERTIFIED		A		26S1114507		REV. 1 of 1	
REVISIONS											