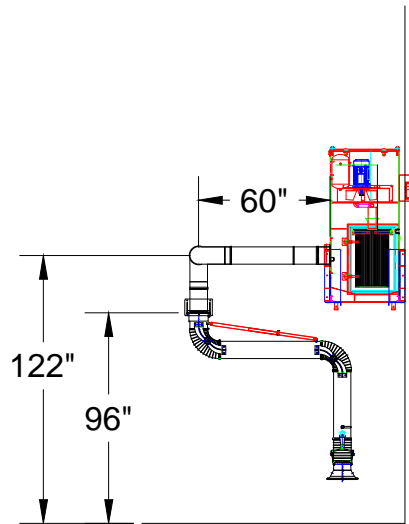
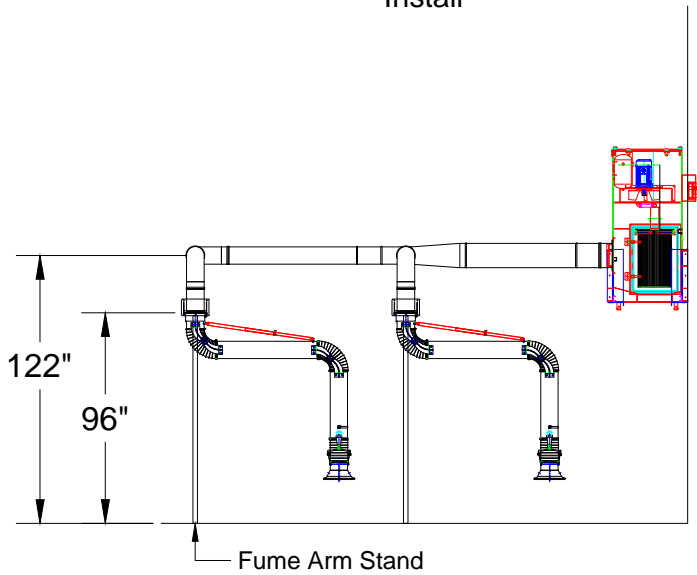
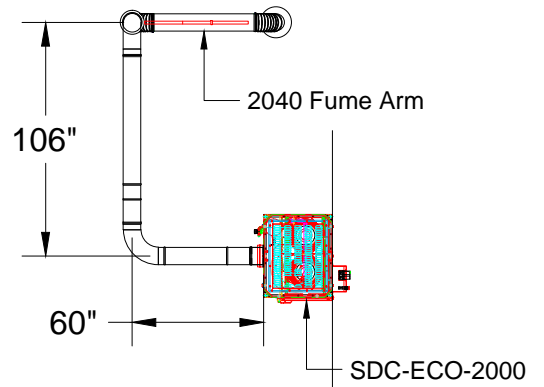
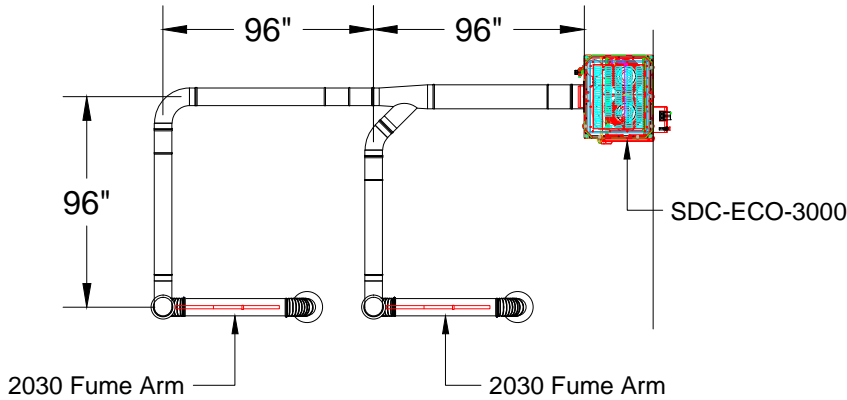


# AirGas PA Rail Car SO21468 Duct Layout



**Notes:**

1. Install consists of (1) ECO-2000 and (2) ECO-3000
2. Arms supported by stands
3. ECO units supported by mounting brackets
4. Avani Environmental standard installation crew is quoted out per day based on the above drawings and approvals. Any changes, modifications, downtime, or inability to perform our work above and beyond the control of Avani Environmental will charge an additional \$1,000 per work day (5 or more hours) per crew above what was initially quoted.

Avani Environmental Intl. Inc.  
95 Cypress Drive  
Youngsville, NC 27596  
P# 919-570-2862 F# 919-570-2863

Avani

**Project: AirGas PA Rail Car SO21468**

**Drawing: Duct Layout**

**Date: 6/6/14**

**Drawn by: MDT**

**Sheet No: 1 OF 1**

**Rev 0**