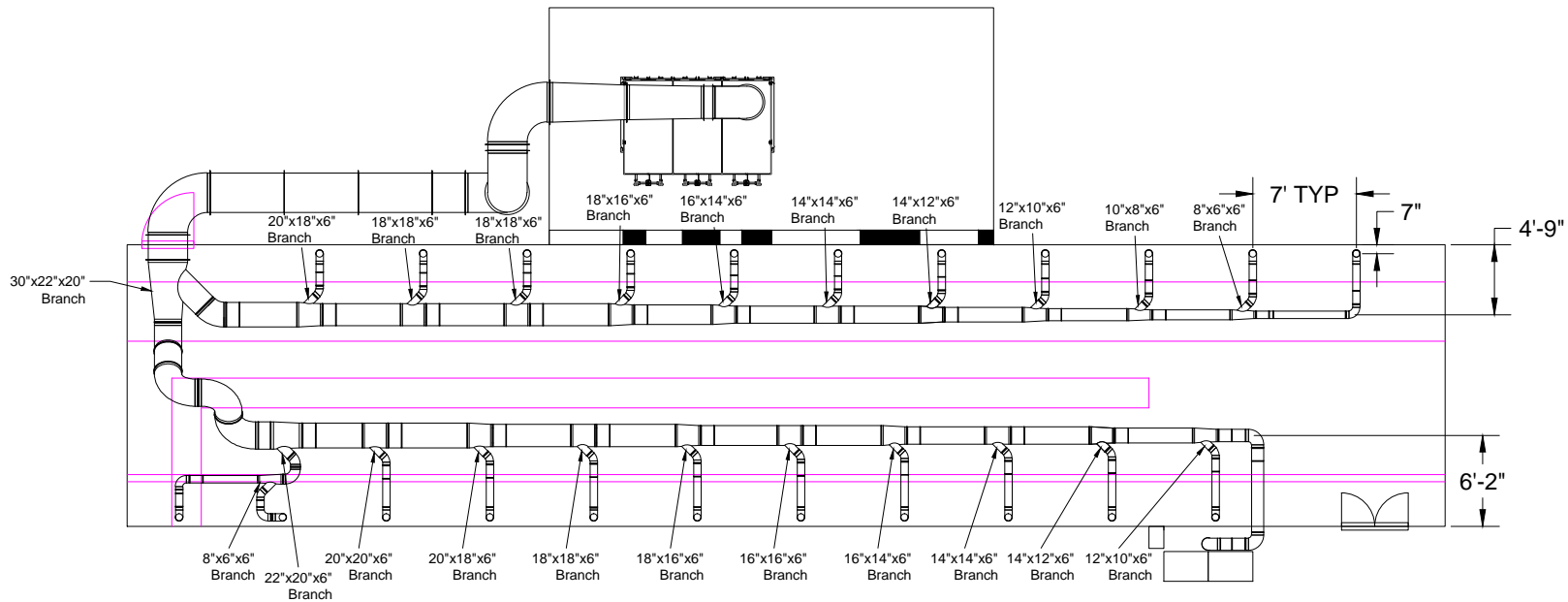
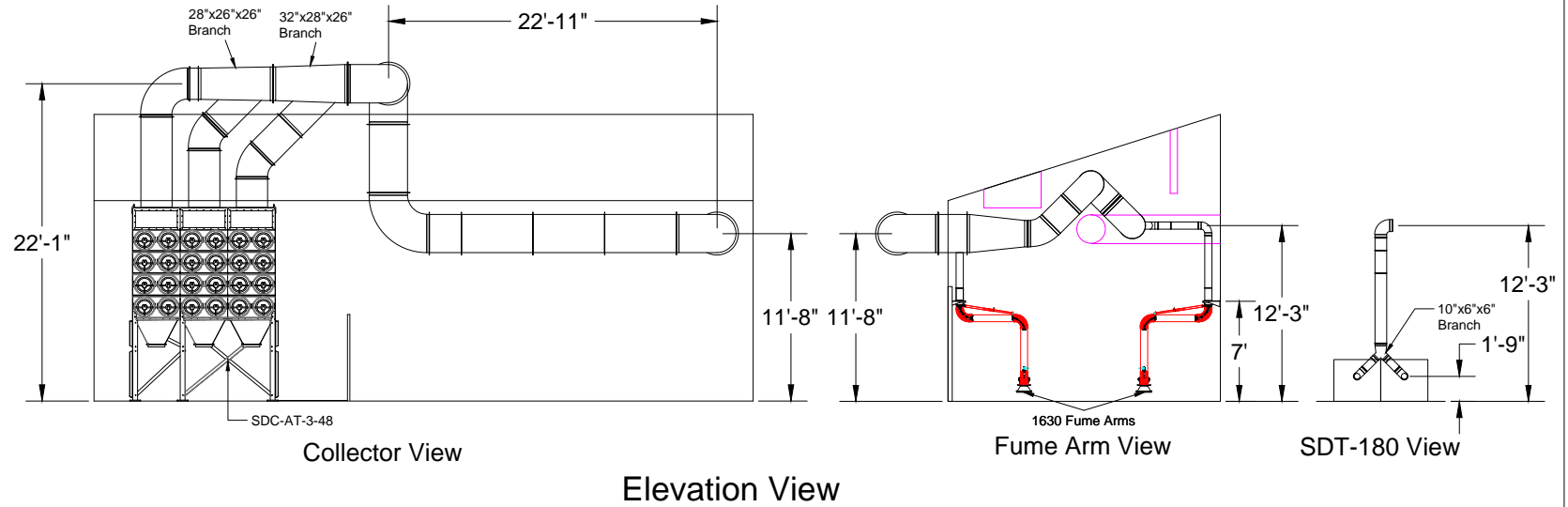


AirGas SO21385 Duct Layout



Notes:

1. Clamp together duct to connect to existing duct
2. Avani Environmental standard installation crew is quoted out per day based on the above drawings and approvals. Any changes, modifications, downtime, or inability to perform our work above and beyond the control of Avani Environmental will charge an additional \$1,000 per work day (5 or more hours) per crew above what was initially quoted.

Avani Environmental Intl. Inc. 95 Cypress Drive Youngsville, NC 27596 P# 919-570-2862 F# 919-570-2863		Avani
Project: AirGas SO21385		
Drawing: Duct Layout		
Date: 5/22/14	Drawn by: MDT	
Sheet No: 1 OF 1	Rev 0	