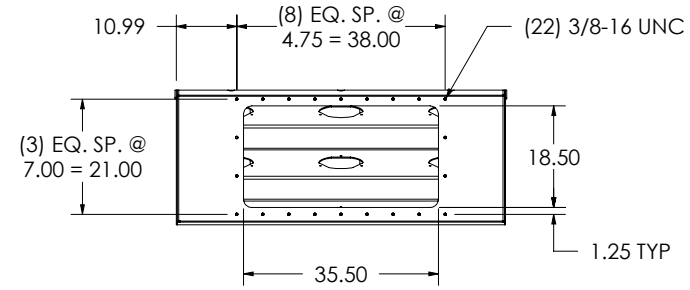
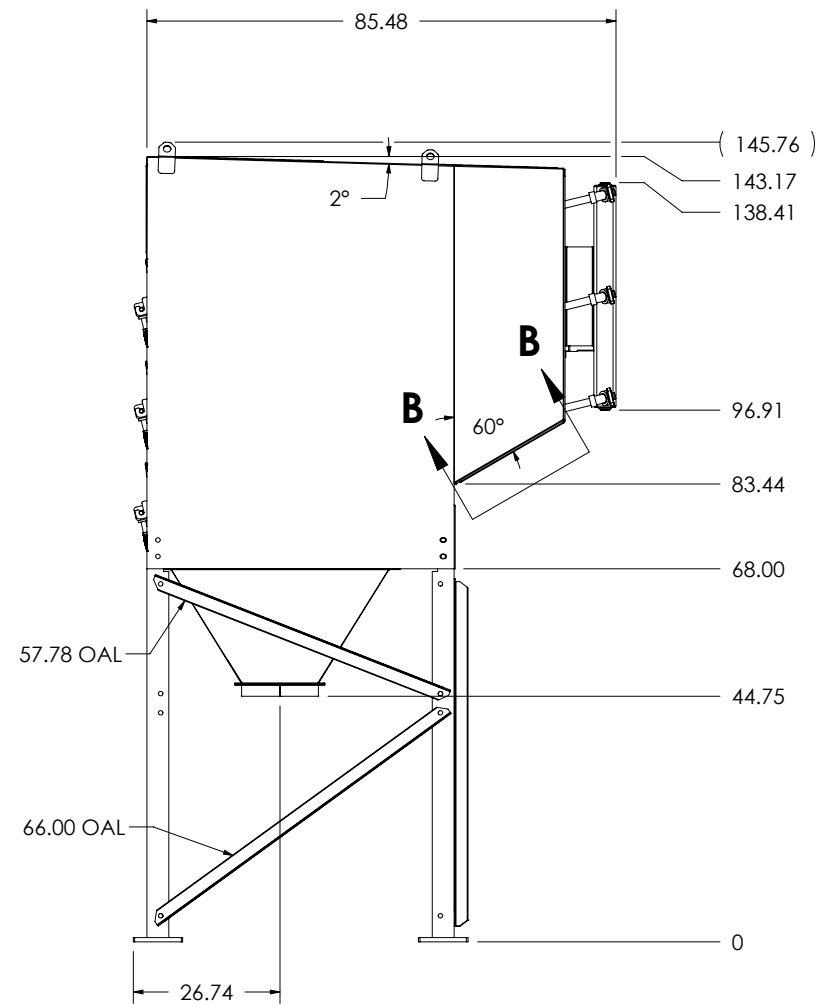
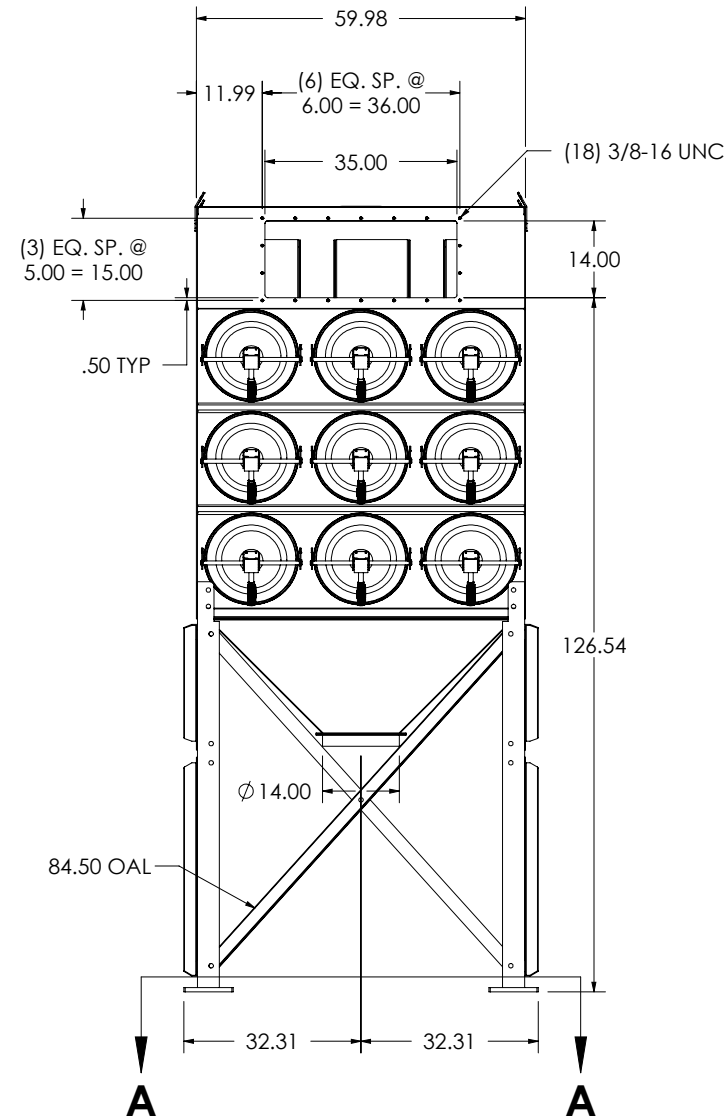
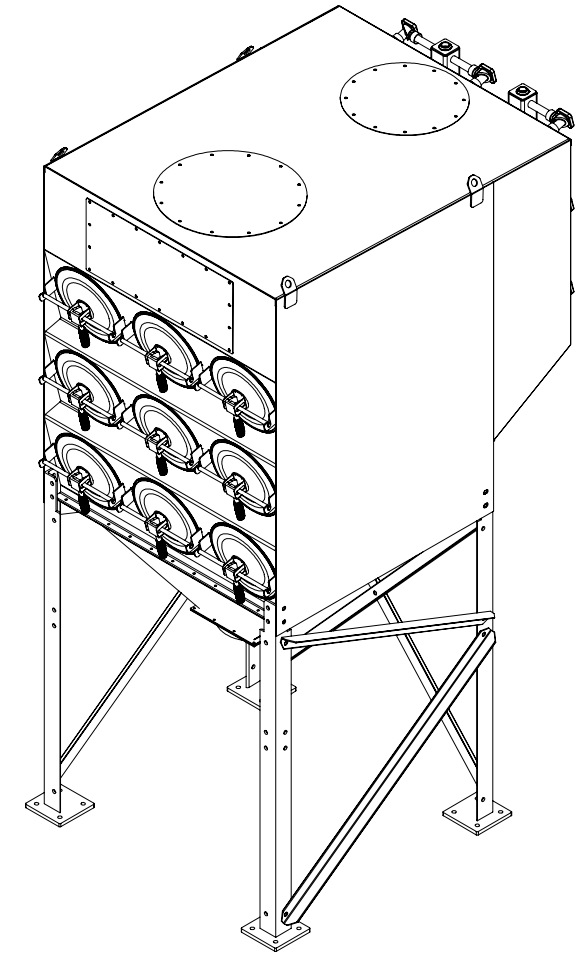


SECTION A-A



SECTION B-B




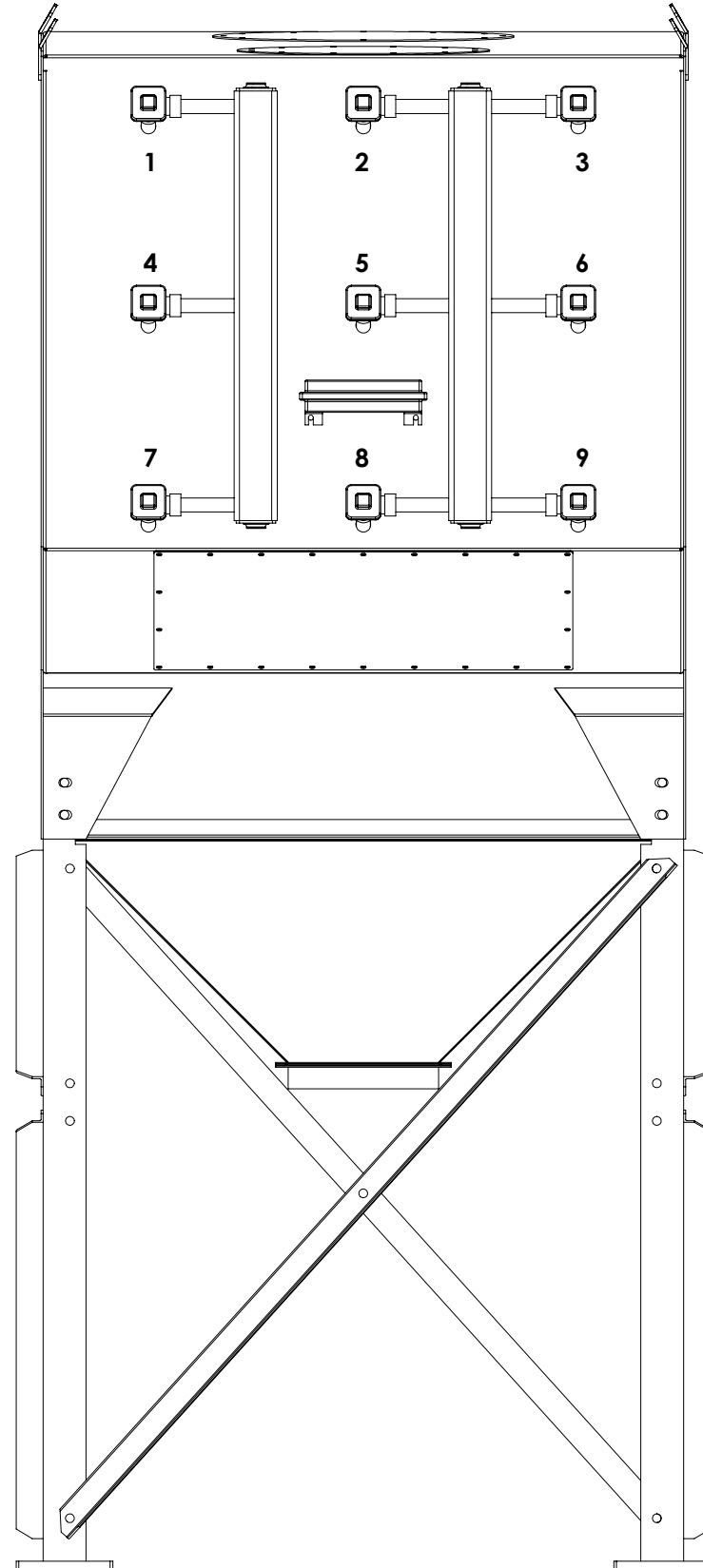
ACCESSORIES:

1. FAN BLOWER: TCF 245 BC-SW
2. ALL-IN-ONE CONTROLS W/ VFD (40HP/ 460V)
3. DRUM LID LATCH KIT

NOTES:

1. COLLECTOR APPROX. WT: 2,950 LBS


REV	ECN	DATE	BY	CHK	DESCRIPTION
-	-	-	-	-	-
					
95 Cypress Dr. Youngsville, NC 27597 Phone: 919-570-2862 www.avanienvironmental.com					
DRAWN BY: JX DATE: 6/30/14 CHKD BY: JX DATE: 6/30/14 SHOP NO.: 15827-001 SCALE: 1:35					
TITLE: SDC-AT-3-18				DRAWING NO.: BC 500061	
SHEET: 1 OF 1		ITEM: -		REV.: -	

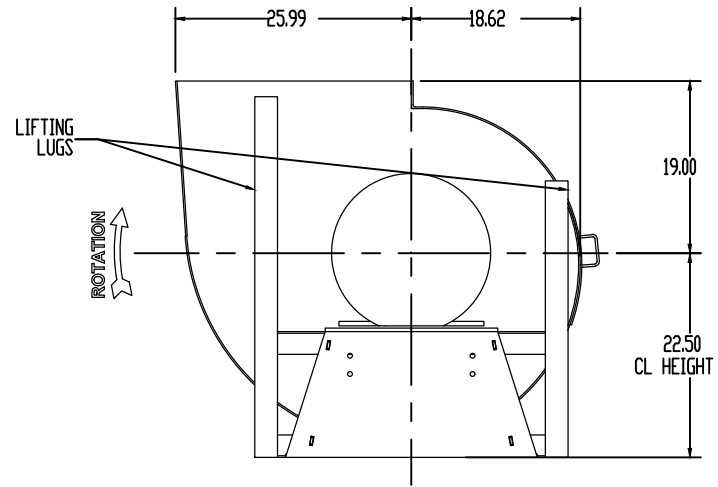


CONNECT THE VALVES TO THE
TERMINALS ON THE TIMERBOARD

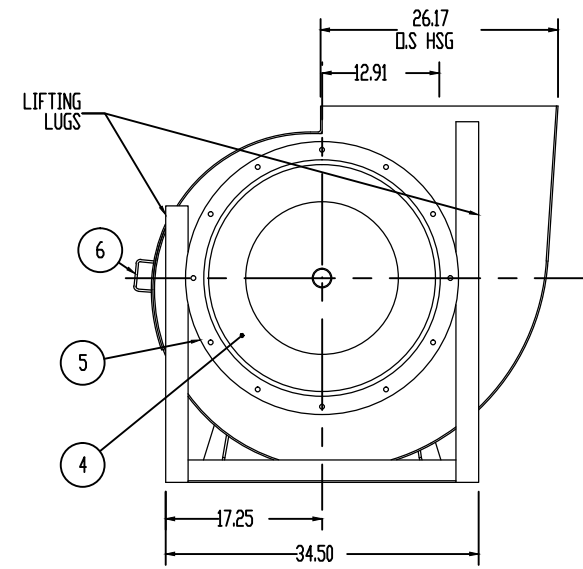
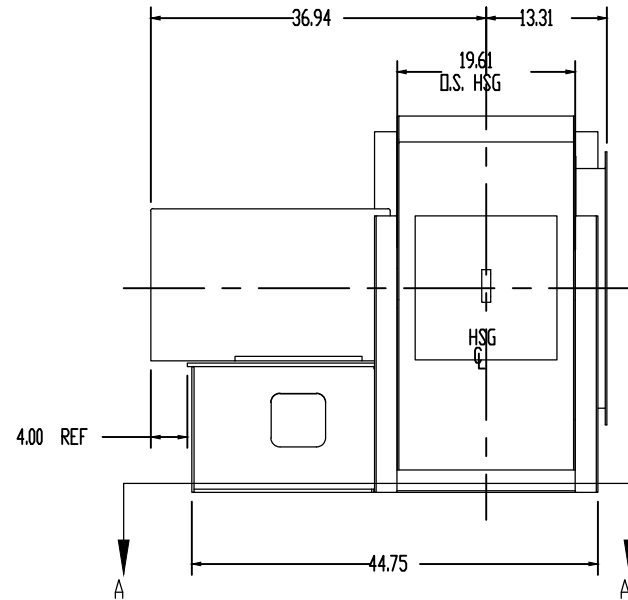
TERMINAL	VALVE
1	1
2	2
3	3
4	4
5	5
6	6
7	7
8	8
9	9
10	

DRAWN BY	JX
DATE	6/30/14
CHKD BY	JX
DATE	6/30/14
SHOP NO.	-
SCALE	1:17

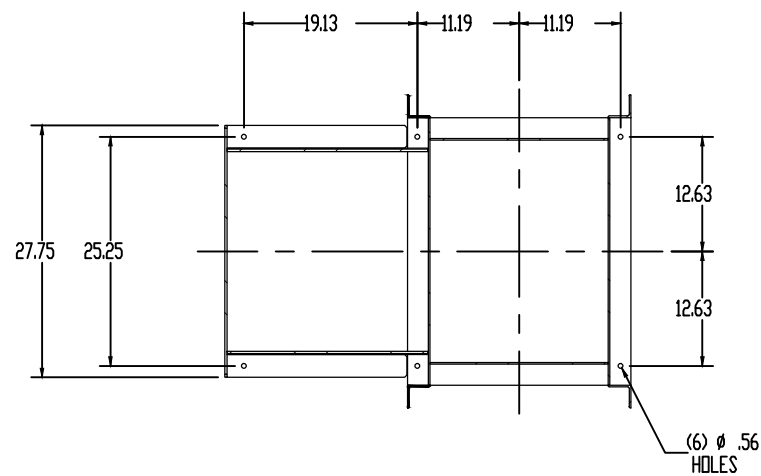
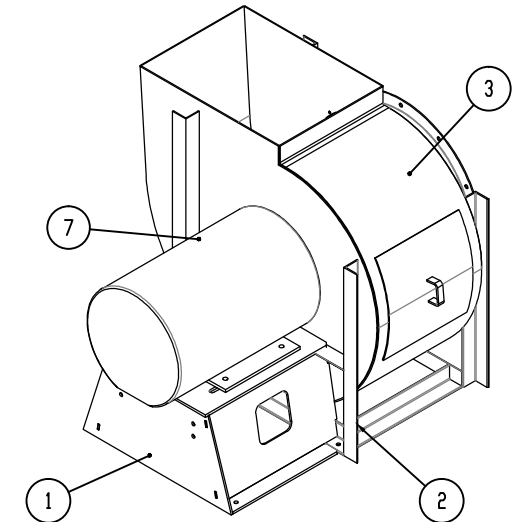
REV	ECN	DATE	BY	CHK	DESCRIPTION		
-	-	-	-	-	-		
					95 Cypress Dr. Youngsville, NC 27597 Phone: 919-570-2862 www.avanienvironmental.com		
TITLE							
SDC-AT-3-18							
DIAPHRAGM VALVE LOCATIONS							
DRAWING NO.					SHEET	ITEM	REV.
BC 500062					1 OF 1	-	-



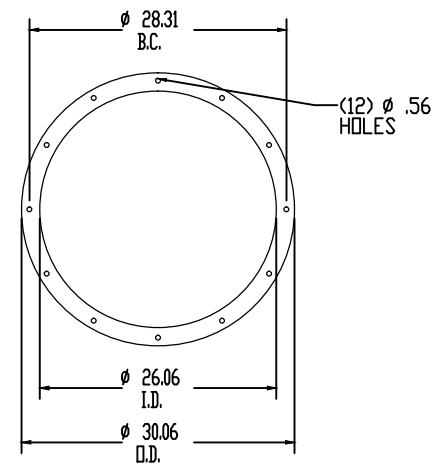
DRIVE SIDE VIEW



INLET SIDE VIEW



FOUNDATION PLAN - TOP VIEW
SECTION A-A



INLET FLANGE DETAIL

- ACCESSORIES:
1. DRAIN-3/4" NPT W/PLUG
 2. SHAFT SEAL - STD. TYPE
 3. AERDVENT GRAY
 4. SPECIAL CRATING #3

* THE DESIGN SHOWN ON THIS DRAWING IS THE EXCLUSIVE PROPERTY OF TWIN CITY FAN COMPANIES, LTD. IT IS NOT TO BE USED FOR ANY PURPOSE OR ITS CONTENTS DISCLOSED WITHOUT OUR WRITTEN CONSENT.

ITEM	DESCRIPTION	QTY	NOTES
8	WHEEL (NOT SHOWN)	1	
7	MOTOR	1	40 HP, 1800 RPM, 3/60/230-460V, TEFC-PREMIUM, 324T FURN & MTD BY TCF
6	ACCESS DOOR	1	BOLTED
5	INLET FLANGE	1	7 GA THK FLANGE, PUNCHED
4	INLET CONE	1	
3	HOUSING ASSEMBLY	1	HSG SIDE = 7 GA., SCROLL = 7 GA.
2	FRAME	1	2.5' x 2.5' x .1875" BASE ANGLES
1	PEDESTAL	1	

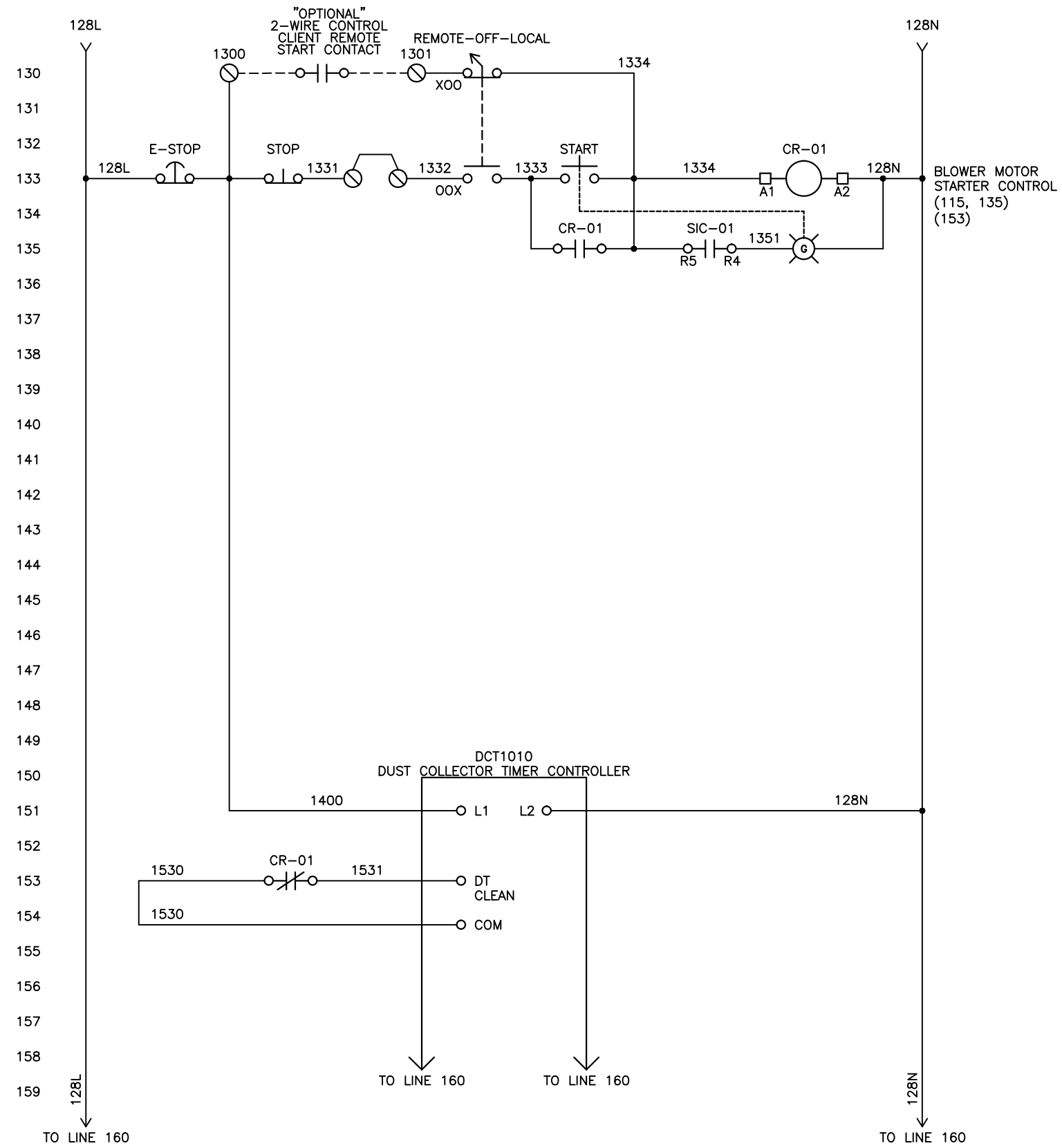
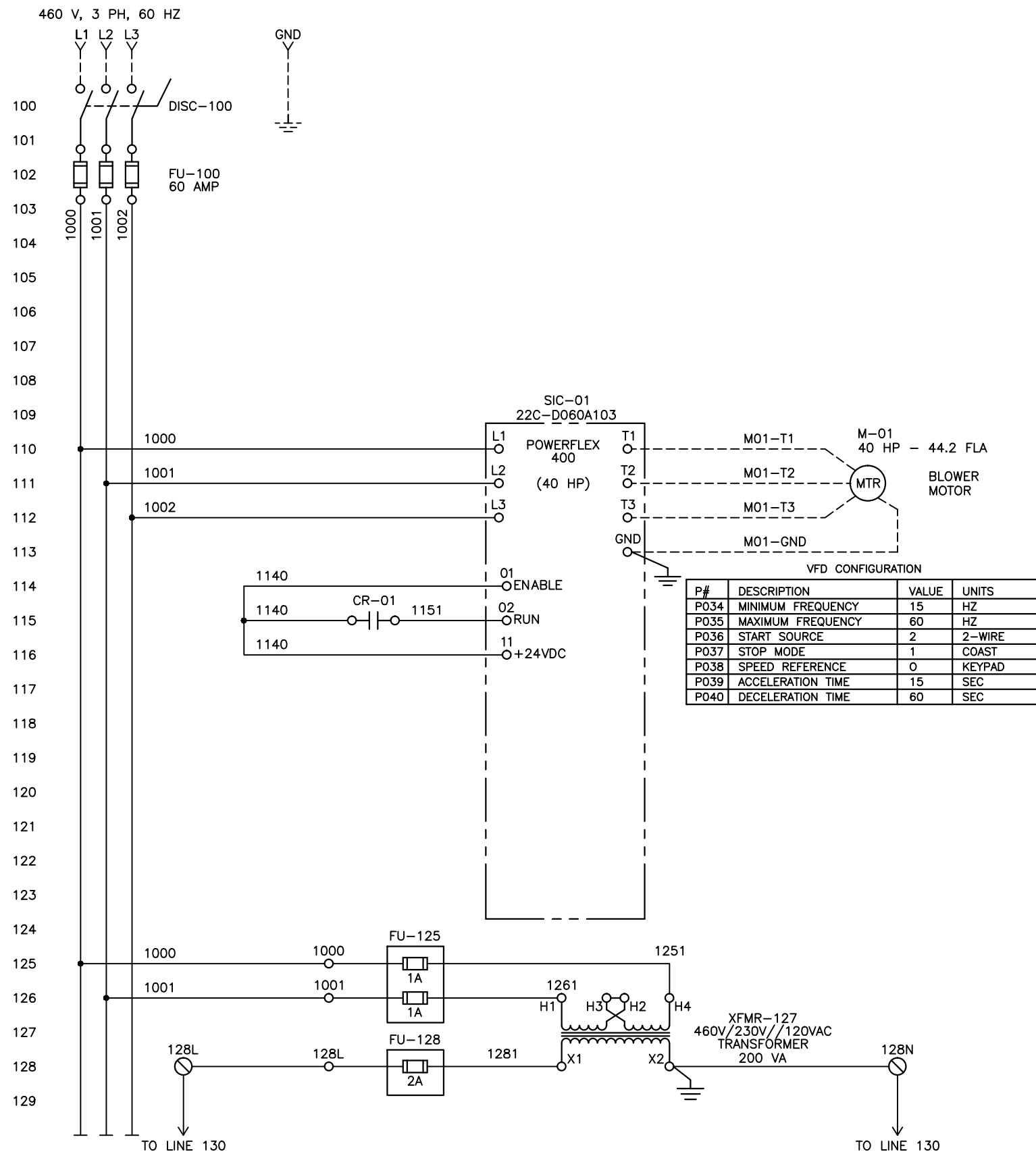
JOB AND LOCATION	PERFORMANCE 'A'
CUSTOMER NAME AVANI	TEMP. 70°F
JOB NAME ACT PD 15827	ELEVATION 880 FT
JOB ID 5-4-15JY-02	DENSITY 0.0715
SOL NUMBER 543093	CFM 12400
TAG UNIT	SP. 12
	REPR 2520
	BHP 32.94
	TS 16163
	UV. 3594
	SCALE 1:20

DRAWN BY AVA	DATE 07/09/15
CHKD BY PKS	DATE 07/09/15
MOTOR WT 485 LBS	FAN WT 620 LBS
BASE VT	

REV	REV BY	REV DATE	CHK BY	CHK DATE	DESCRIPTION
-	-	-	-	-	-

5959 Trenton Lane N | Minneapolis, MN 55442
ISO-9001:2008 Registered

DRAWING NO.	ROW	ITEM	SHEET	REV.
BC 543093	001	00	1 OF 1	



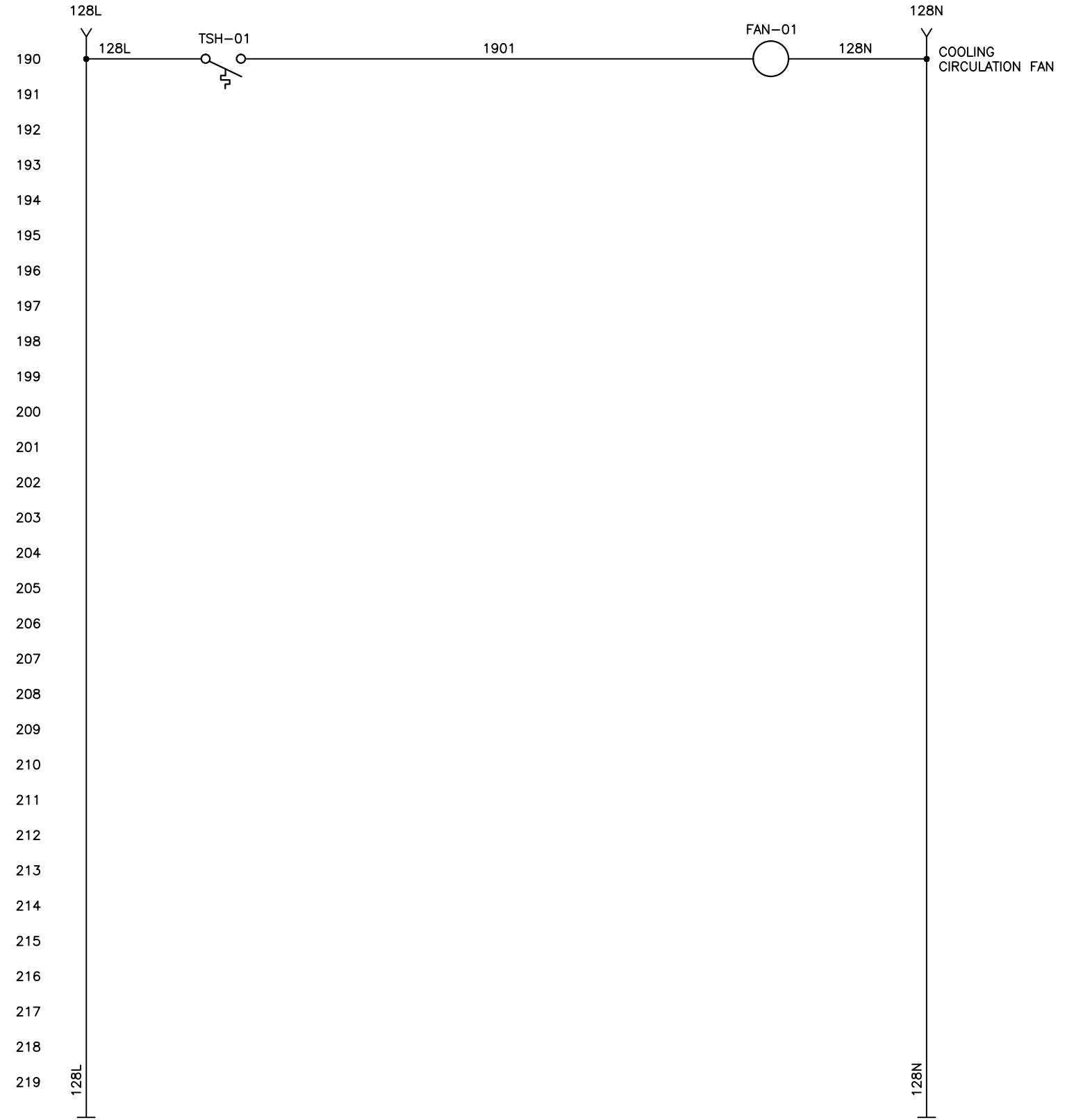
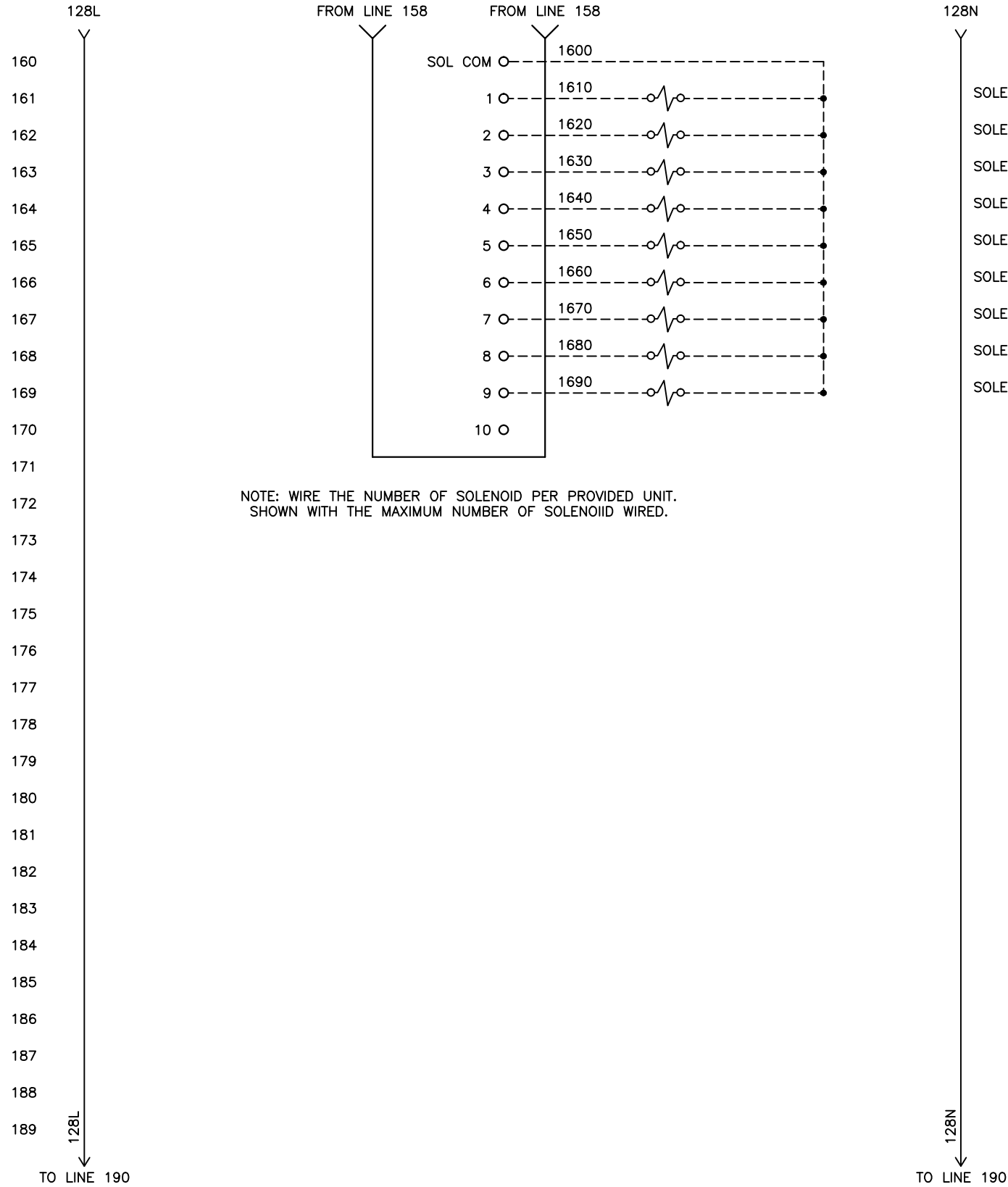
THIS DRAWING IS CONFIDENTIAL PROPERTY OF ENGINEERING FIRM. DO NOT DUPLICATE IN ANY TYPE WITHOUT PROPER WRITTEN PERMISSION. IF YOU ARE NOT THE INTENDED CLIENT PLEASE DESTROY THIS DOCUMENT.

REV.	DESCRIPTION	DATE	FILE PATH: C:/Clients/	CLIENT NAME	PROJECT NUMBER	DRAWING NUMBER	PLOT DATE: 9/17/14
1	CREATED	9/17/14				40HP PF400 VFD-1	

DUST COLLECTOR BLOWER PACKAGE W/ ROTARY FEEDERS 460V - 40 HP PF400 VFD + 10XV WITH DUST COLLECTOR TIMER CONTROLLER

DRAWING SCALE: NONE

DCT1010
DUST COLLECTOR TIMER CONTROLLER
CONTINUED



NOTE: WIRE THE NUMBER OF SOLENOID PER PROVIDED UNIT.
SHOWN WITH THE MAXIMUM NUMBER OF SOLENOID WIRED.

THIS DRAWING IS CONFIDENTIAL PROPERTY OF ENGINEERING FIRM DO NOT DUPLICATE IN ANY TYPE WITHOUT PROPER WRITTEN PERMISSION. IF YOU ARE NOT THE INTENDED CLIENT PLEASE DESTROY THIS DOCUMENT.			DUST COLLECTOR BLOWER PACKAGE W/ ROTARY FEEDERS 460V - 40 HP PF400 VFD + 10XV WITH DUST COLLECTOR TIMER CONTROLLER		
REV.	DESCRIPTION	DATE	FILE PATH: C:/Clients/		PLOT DATE: 9/17/14
1	CREATED	9/17/14	DRAWN BY: CCI	DATE: 9/17/14	DRAWING SCALE: NONE
			CHECKED BY: CCI	DATE: 9/17/14	CLIENT NAME: PROJECT NUMBER
					DRAWING NUMBER: 40HP PF400 VFD-2