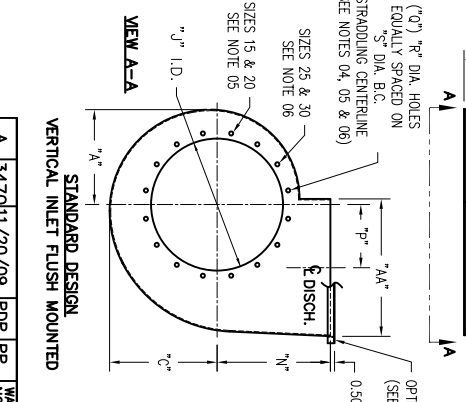
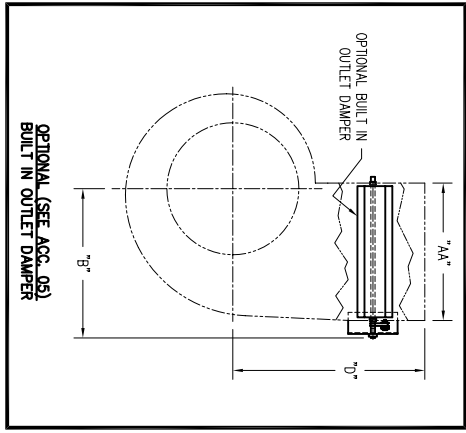
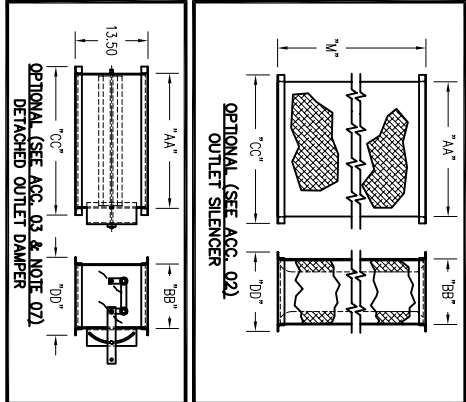
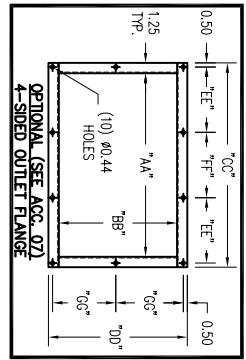
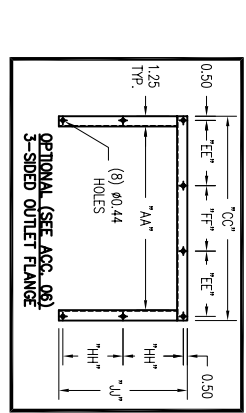
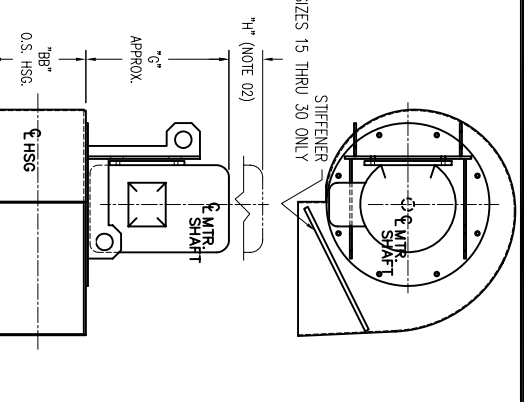
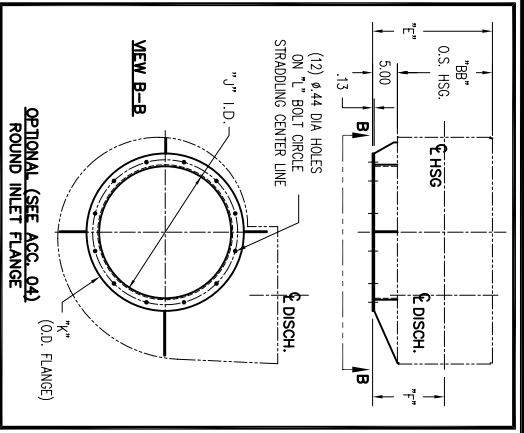
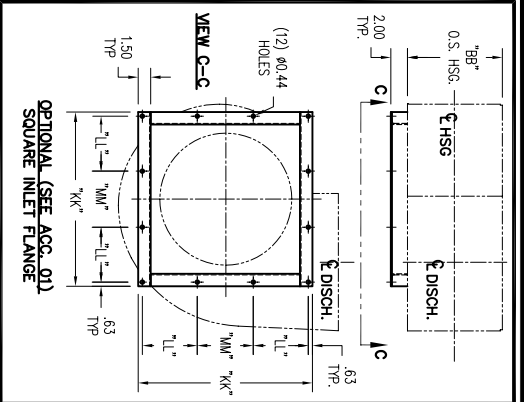


FLANGE PATTERNS FOR SIZES 3 THRU 30

SIZE	"AA"	"BB"	"CC"	"DD"	"EE"	"FF"	"GG"	"HH"	"JJ"	"KK"	"LL"	"MM"
3	13.44	8.75	15.94	11.25	5.00	4.94	5.13	4.00	10.00			
5	14.81	9.44	17.31	12.00	5.44	5.44	5.50	4.38	10.69			
7.5	14.81	10.75	17.31	13.25	5.44	5.44	6.13	5.00	12.00	21.00	6.63	6.50
10	14.81	11.50	17.31	14.00	5.44	5.44	6.50	5.38	12.75			
15	20.00	12.00	22.50	14.50	7.19	7.13	6.75	5.63	13.25			
20	20.00	14.00	22.50	16.50	7.19	7.13	7.75	6.63	15.25	26.00	8.25	8.25
25	22.13	13.25	24.63	15.75	7.88	7.88	7.38	6.25	14.50			
30	22.13	14.25	24.63	16.75	7.88	7.88	7.88	6.75	15.50			



SIZES 3 THRU 30

SIZE	"A"	"B"	"C"	"D"	"E"	"F"	"G"	"H"	"I"	"J"	"K"	"L"	"M"	"N"	"P"	"Q"	"R"	"S"
3	10.25	18.19	11.63	22.50	13.75	9.38	17.00	6.00	13.81	17.81	15.81				7.63			
5	11.44	19.75	12.94	22.63	14.44	9.75	17.00	6.00	15.38	19.50	17.50				8.50			
7.5	11.44	19.75	12.94	23.00	15.69	10.38	21.00	7.00	15.38	19.50	17.50		36.00	14.13	8.50			8
10	11.44	19.75	12.94	23.13	16.44	10.75	21.00	8.00	15.38	19.50	17.50				8.50			
15	14.94	22.81	18.00	26.25	17.00	11.00	26.00	8.00	19.50	23.50	21.50				8.94			
20	14.94	22.81	18.00	26.75	18.94	12.00	26.00	10.00	19.50	23.50	21.50		60.00	17.13	8.94			16*
25	16.69	24.94	20.06	26.63	18.25	11.63	28.00	10.00	21.38	25.50	23.50				9.94			
30	16.69	24.94	20.06	26.88	19.25	13.13	28.00	10.00	21.38	25.50	23.50				9.94			

JOB AND LOCATION

REV	ECON	DATE	BY	CHK
A	347011	20/09	PDP	PP

PERFORMANCE

DENS.	LEHT	DATE	DATE
	PDP	5/6/09	5/6/09
	PP		

Twin City Fan Companies, Ltd.
 Member of Air Movement and Control Association
 5959 Tronson Lane - Minneapolis, MN 55443-3338

TITLE
 TCBI SIZES 3 THRU 30, CL. 2 (SEE NOTE 01 FOR ROTATION) ARRANGEMENT 4VI (VERTICAL INLET MOUNTED)

SCALE
 DRAWING NO. **BC1003044**

NTS

REV. **A**

OPTIONAL ACCESSORIES (SEE SHOP ORDER):

- 01. SQUARE INLET FLANGE; PUNCHED PER DETAIL.
- 02. OUTLET SILENCER PER ACC1003038 (SUPPORTED BY OTHERS IN FIELD)
- 03. DETACHED OUTLET DAMPER
- 04. ROUND INLET FLANGE; PUNCHED PER DETAIL
- 05. BUILT IN OUTLET DAMPER
- 06. 3-SIDED OUTLET FLANGE; PUNCHED PER DETAIL
- 07. 4-SIDED OUTLET FLANGE; PUNCHED PER DETAIL
- 08. OUTLET SCREEN

STANDARD ACCESSORIES (SEE SHOP ORDER):

01. SHAFT SEAL
 02. MOTOR DATA: HP _____ RPM _____ VOLTS/PH/Hz
 _____ FRAME, FURN. & MTD. BY TCF.

NOTES:

01. CW* ROTATION SHOWN; "CCW" ROTATION SIMILAR BUT OPPOSITE.
02. NECESSARY CLEARANCE FOR WHEEL REMOVAL.
03. DIMENSION SHOWN FOR USE WITH OUTLET FLANGE OPTION.
04. FANS WITH INLET FLANGE (SQUARE OR ROUND) DO NOT HAVE MOUNTING HOLES IN HOUSING INLET SIDE.
- *05. SIZES 15 & 20 ELIMINATE THIS HOLE.
- *06. SIZES 25 & 30 ELIMINATE THIS HOLE.
07. DAMPER HANDLE SHOULD ALWAYS BE LOCATED AT THE MOTOR SIDE.