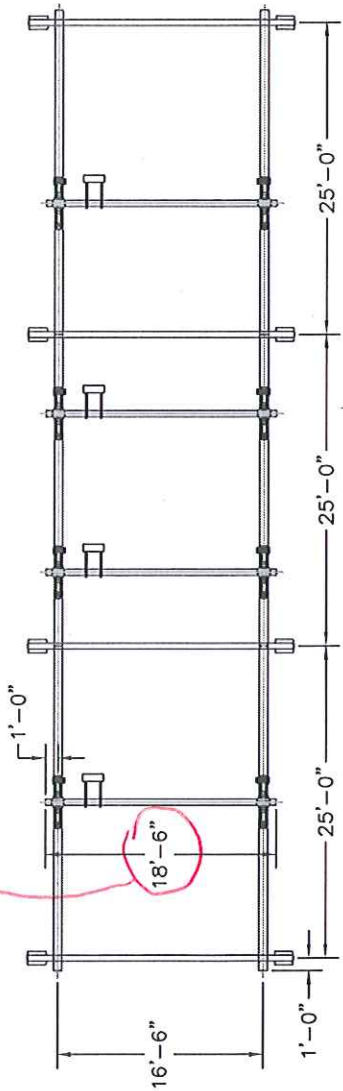
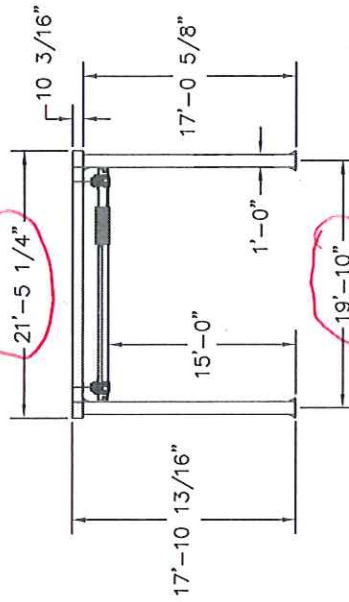
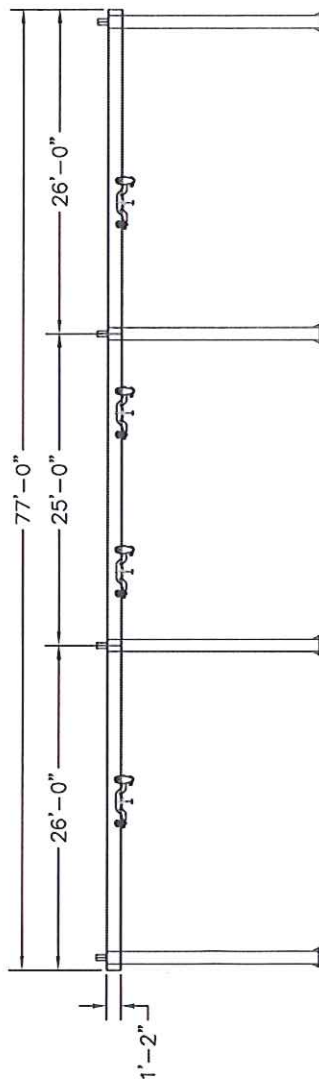


\*\*\* ATTENTION: GORBEL INC. ASSUMES NO RESPONSIBILITY FOR ADEQUACY OR INTEGRITY OF THE MOUNTING SURFACES OR THE STRUCTURE THAT THE CRANE MAY BE MOUNTED TO. GORBEL INC. WILL NOT BE LIABLE FOR ANY LOSS, INJURY OR DAMAGE TO PERSONS OR PROPERTY, NOR FOR DAMAGES OF ANY KIND, RESULTING FROM THE FAILURE OR DEFECTIVE OPERATION OF ANY MATERIALS NOT SUPPLIED DIRECTLY BY GORBEL INC. BRACING SYSTEMS, IF USED, MUST BE APPROVED BY A LOCAL PROFESSIONAL ENGINEER. BRACING IS NOT REQUIRED BUT IS RECOMMENDED. GROUTING UNDER THE BASEPLATE IS HIGHLY RECOMMENDED.

Reduce to 16'-6"



Reduce to 19'-5 1/4"



Reduce to 17'-10"

HOLD FOR APPROVAL

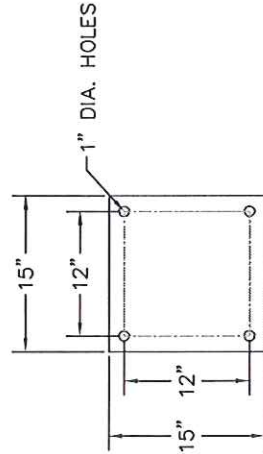
APPROVED AS NOTED

NOT APPROVED

BY: *[Signature]*

DATE: / /

ORDER IS ON HOLD FOR APPROVAL. ORDER WILL NOT BE RELEASED TO MANUFACTURE UNTIL APPROVED. APPROVAL DRAWINGS YOU ARE AUTHORIZING GORBEL TO MANUFACTURE YOUR SYSTEM ACCORDING TO THE DESIGN AND DIMENSIONS SHOWN IN THESE DRAWINGS. ANY CHANGES TO THESE DRAWINGS MAY RESULT IN ADDITIONAL CHARGES FOR MATERIALS AND ENGINEERING AND MAY ALSO AFFECT THE SHIP DATE OF THE ORDER.



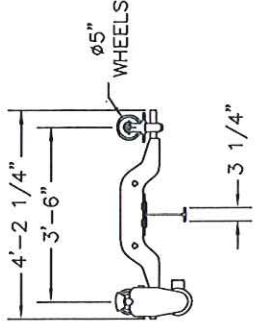
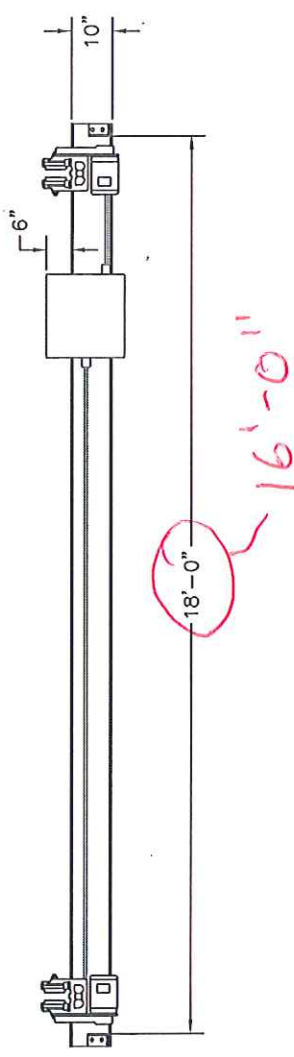
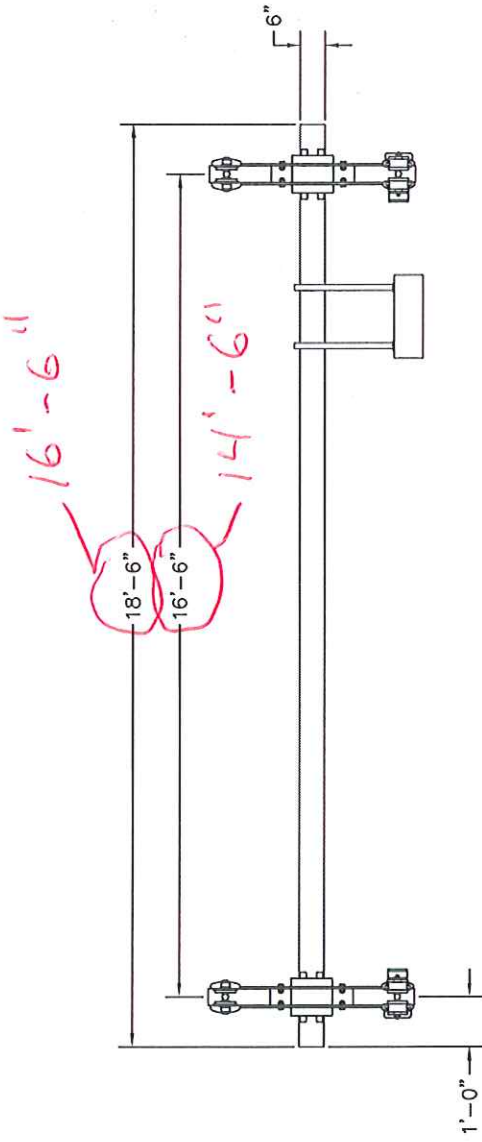
HANGERS MUST BE LOCATED AT A SPLICE JOINT

DO NOT SCALE FROM DRAWING.

DIMENSIONS ARE STEEL TO STEEL AND MAY VARY.

CRANE INFORMATION	
CAPACITY:	1.50 TONS
BRIDGE OAL:	18'-6"
BRIDGE RAIL:	4500
RUNWAY OAL:	77'-0"
RUNWAY RAIL:	5200
TOLERANCE:	±1/8
QUANTITY:	1
ID #:	LENWIN00091A

CLEVELAND TRAMRAIL	
By Gorbel Inc.	
600 FISHERS RUN	
P.O. BOX 593	
FISHERS, NY 14453-0593	
CT-FS-25-1.5(4)-18.5-77-15	
GENERAL ARRANGEMENT	
BY: PEW	DATE: OCT 26, 2012
LINE: 1	



**HOLD FOR APPROVAL**

APPROVED

APPROVED AS NOTED

NOT APPROVED

BY: *[Signature]*

DATE: *10/30/10*

ORDER IS ON HOLD FOR APPROVAL. ORDER WILL NOT BE SHIPPED UNTIL APPROVAL IS RECEIVED. APPROVAL DRAWINGS ARE RETURNED TO CORRECTION. YOU ARE AUTHORIZING CONTRACTOR TO MAKE ALL CHANGES TO THIS DESIGN. AFTER SUBMITTAL OF THESE DRAWINGS, ANY CHANGES MADE TO THIS DESIGN MAY RESULT IN ADDITIONAL CHARGES FOR REVISIONS. CONTRACTOR SHALL BE RESPONSIBLE TO AFFECT THE SHIP DATE OF THE ORDER.

DO NOT SCALE FROM DRAWING.  
DIMENSIONS ARE STEEL TO STEEL AND MAY VARY.

CRANE INFORMATION	
CAPACITY: 1.50 TONS	
BRIDGE OAL: 18'-6"	
BRIDGE RAIL: 4500	
TOLERANCE: ±1/8	BY: PEW
QUANTITY: 1	LINE: 1
ID #: LENWIN00091B	

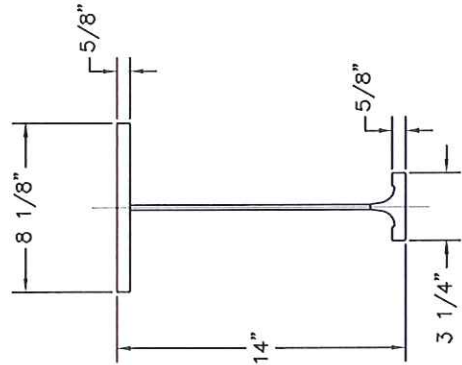
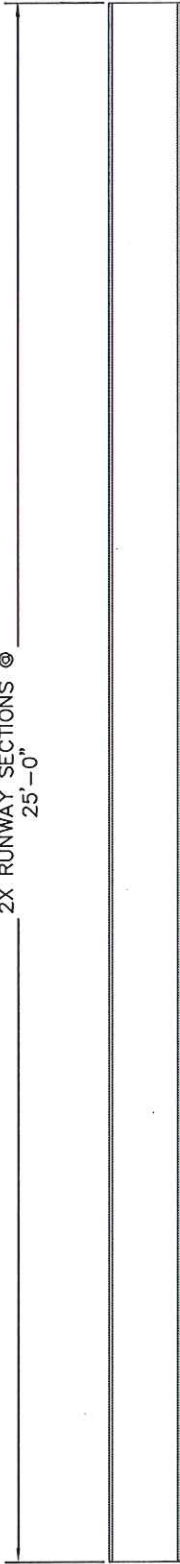
<b>CLEVELAND TRAMRAIL</b>	
By Gorbel Inc. 600 FISHERS RUN P.O. BOX 593 FISHERS, NY 14453-0593	
BRIDGE LAYOUT	
GENERAL ARRANGEMENT	
DATE: OCT 26, 2012	BY: PEW
LINE: 1	BY: PEW

**NOTE:** TOP FLANGE PREPS TO BE DETERMINED AT ORDER PROCESSING.  
PREP WILL PERMIT THE RUNWAYS TO DIRECT BOLT TO SUPPORT STEEL.

4X RUNWAY SECTIONS @  
26'-0"



2X RUNWAY SECTIONS @  
25'-0"



5200 TRACK PROFILE

<b>HOLD FOR APPROVAL</b>	
<input checked="" type="checkbox"/>	APPROVED
<input type="checkbox"/>	APPROVED AS NOTED
<input type="checkbox"/>	NOT APPROVED
BY:	<i>[Signature]</i>
DATE:	/ /
<small>ORDER IS ON HOLD FOR APPROVAL. ORDER WILL NOT BE SHIPPED UNTIL APPROVED. ALL DIMENSIONS ARE TO BE CHECKED BY SIGNING THESE APPROVAL DRAWINGS. YOU ARE AUTHORIZING ORBEL TO MANUFACTURE YOUR SYSTEM ACCORDING TO THESE DRAWINGS. YOU WILL BE RESPONSIBLE FOR THE DESIGN, AFTER SUBMITTAL OF THESE DRAWINGS. THIS MAY RESULT IN ADDITIONAL CHARGES FOR MATERIALS AND LABOR. THESE CHARGES WILL ALSO AFFECT THE SHIP DATE OF THE ORDER.</small>	

HANGERS MUST BE LOCATED AT A SPLICE JOINT  
DO NOT SCALE FROM DRAWING.  
DIMENSIONS ARE STEEL TO STEEL AND MAY VARY.

**CRANE INFORMATION**

**CLEVELAND TRAMRAIL**

By Gorbel Inc.  
600 FISHERS RUN  
P.O. BOX 593  
FISHERS, NY 14453-0593

**RUNWAY SECTIONS**

GENERAL ARRANGEMENT

BY: PEW DATE: OCT 26, 2012

LINE: 1

ID #: LENWIN00091A

RUNWAY OAL: 77'-0"

RUNWAY RAIL: 5200

TOLERANCE: ±1/8

QUANTITY: AS NOTED